



INSTRUCTIONS

-J04701

REV. 2008-07-14

CUSTOM TAPERED SPORT LUGGAGE RACK - FXSTSSE3

GENERAL

Kit Number

54210-09

Models

For model fitment information, see the P&A Retail Catalog or the Parts and Accessories section of www.harley-davidson.com (English only).

Additional Parts Required

The appropriate docking hardware, sideplates, sissy bar upright and a directional relocation kit must be installed prior to installation of this luggage rack kit. These kits must be purchased separately from a Harley-Davidson Dealer.

Table 1. Additional Parts

Item	Part Number	Notes
Docking Hardware Kit	53932-03	Without saddlebags
	53930-03	With saddlebags
Side Plates	53810-00A	Detachable
Directional Relocation Kit	53959-06	2003 and later models
Sissy Bar Upright	52940-09	Includes docking point spacers and replacement fasteners

Loctite® 271 (red) (99671-97) is available from a Harley-Davidson Dealer.

Kit Contents

See Figure 1 and Table 2.

INSTALLATION

1. Install the kits for the directional relocation, docking points, side plates and sissy bar upright according to each kit instructions. Do not install the upright screws at this time. Note that the sissy bar upright instructions affect the installation of the docking points.
2. See Figure 1 and Table 2. Apply two or three drops of Loctite 271 to the button head screws (2) from the luggage rack kit.

3. Position the luggage rack (1) between the side plates and insert the screws through the luggage rack, side plate and upright holes. Tighten screws to 8-10 ft-lbs (10.8-13.6 Nm).

WARNING

Do not exceed luggage rack weight capacity. Too much weight can cause loss of control, which could result in death or serious injury. (00373a)

- The luggage rack weight capacity is limited to a maximum of 10 lbs (4.5 kg).
- Do not use this rack as a seat.
- Do not exceed the rack weight capacity.

SERVICE PARTS

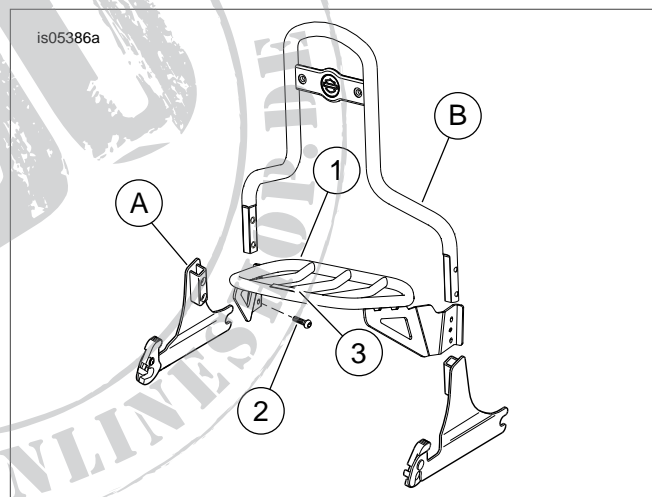


Figure 1. Service Parts: Sport Luggage Rack

Table 2. Service Parts

Item	Description (Quantity)	Part Number
1	Luggage rack	Not Sold Separately
2	Screws, button head TORX® (4)	94593-98
3	Label, weight limit	Not Sold Separately
Items mentioned in text, but not included in kit.		
A	Side plates	
B	Sissy bar upright	