



# INSTRUCTIONS

-J05537

2011-12-02

## XL REAR SHOCK KIT

### GENERAL

#### Kit Number

54000040

#### Models

For model fitment information, see the P&A Retail Catalog or the Parts and Accessories section of [www.harley-davidson.com](http://www.harley-davidson.com) (English only).

#### Additional Parts Required

This kit requires LOCTITE® 243 (blue) for proper installation.

#### ▲ WARNING

The rider's safety depends upon the correct installation of this kit. Use the appropriate service manual procedures. If the procedure is not within your capabilities or you do not have the correct tools, have a Harley-Davidson dealer perform the installation. Improper installation of this kit could result in death or serious injury. (00333a)

#### NOTE

This instruction sheet references Service Manual information. A Service Manual for your model motorcycle is required for this installation and is available from a Harley-Davidson dealer.

#### Kit Contents

See Figure 2 and Table 2.

### INSTALLATION

#### Shock Absorbers

#### ▲ WARNING

Installation of any accessory suspension components can affect cornering clearance. This could distract the rider, causing loss of control and death or serious injury. (00431b)

#### NOTE

This procedure requires that both shocks be removed prior to installing the new shock absorbers. You need to place the motorcycle on a center stand with the rear wheel raised off of the ground.

The exhaust system may interfere when removing and installing the lower right shock mounting hardware. If necessary, see Service Manual and remove the rear exhaust pipe.

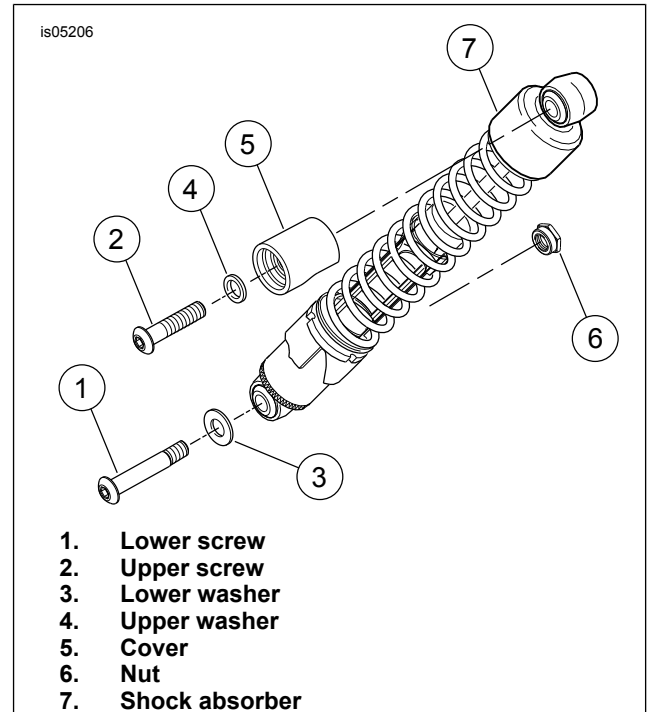


Figure 1. Remove / Install Shock Absorber

1. Block the motorcycle under the frame so that the motorcycle is securely resting upright and rear wheel is just off the ground.
  2. Remove the lower shock mounting screw (1), washer (3) and nut (6) from the shock absorber (7). Save the hardware for reuse.
  3. Remove the upper bolt (2), washer (4) and cover (5) and remove the shock absorber. Save the hardware for reuse.
  4. Repeat Steps 2 and 3 for opposite side and save the hardware.
  5. Apply 2-3 drops of LOCTITE 243® (blue) on the threads of the lower mounting bolt, then install bolt, lower washer and nut to the shock.
- NOTE
- Verify that the shock covers stay centered on the shock and do not turn when tightening the shock mounting bolts.
6. Apply 2-3 drops of LOCTITE 243® (blue) on the threads of the upper mounting bolt, then install the shock cover, upper mounting bolt and washer to the shock. Verify the cutout in shock cover locates properly.
  7. Tighten mounting bolts to 61.1–67.9 N·m (45–50 ft-lbs).

**NOTE**

Spanner wrenches are available to adjust the shock spring preload, Part Number HD-94700-52C, HD-94820-75A or 94448-82B. These tools can be purchased from your Harley-Davidson dealer.

- Repeat Steps 5, 6 and 7 for the opposite side.

**▲ WARNING**

Adjust both shock absorbers equally. Improper adjustment can adversely affect stability and handling, which could result in death or serious injury. (00036b)

**NOTICE**

Wipe all fingerprints off of exhaust system components after installation and before starting engine. Oil from hands can leave permanent marks on exhaust system finish. (00346a)

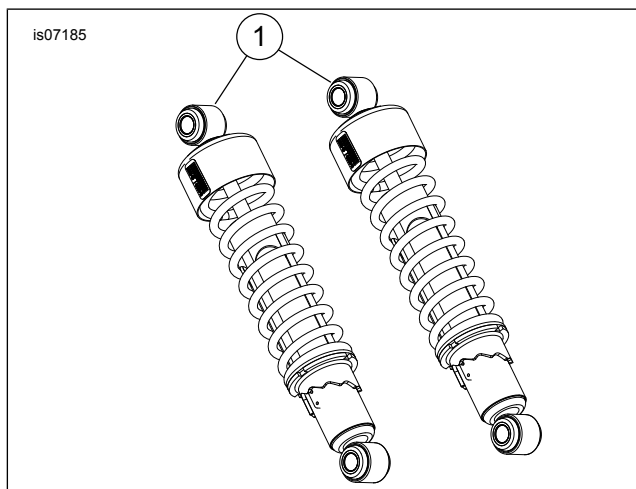
- See the Service Manual and install rear exhaust pipe, if removed.

**Table 1. Recommended Shock Preload: Three Position**

LOAD*	POSITION
Less than 75 kg (165 lb)	1
75–102 kg (165–225 lb)	2
102 kg (225 lb) to maximum added weight allowed.	3

\* Add the weight of the rider, passenger, riding gear, accessories, and cargo.

**SERVICE PARTS**



**Figure 2. Service Parts: XL Rear Shock Kit**

**Table 2. Service Parts**

Item	Description (Quantity)	Part Number
1	Shock absorber (2)	54570-09