



# INSTRUCTIONS

-J04320

REV. 2009-03-04

## XR1200 PASSENGER UPRIGHT KIT

### GENERAL

#### Kit Number

53976-08

#### Models

For model fitment information, see the P&A Retail Catalog or the Parts and Accessories section of [www.harley-davidson.com](http://www.harley-davidson.com) (English only).

#### Additional Parts Required

Luggage rack (part number 53920-08), purchased separately, is required to install this passenger upright.

#### Kit Contents

See Figure 2 and Table 1.

### INSTALLATION

1. See Figure 1. Install luggage rack (1) (purchased separately) following the instructions for kit 53920-08. Do not install screws (2) and spacers (3). Discard screws and spacers.
2. See Figure 2. Install the upright mounting bracket (2), screws (6) and spacers (7). Tighten screws to 10 ft-lbs (13.5 Nm).
3. Assemble the pad (1) and upright (3) to the upright mounting bracket (2) with screws (4) and spacers (5). Tighten screws to 10 ft-lbs (13.5 Nm).

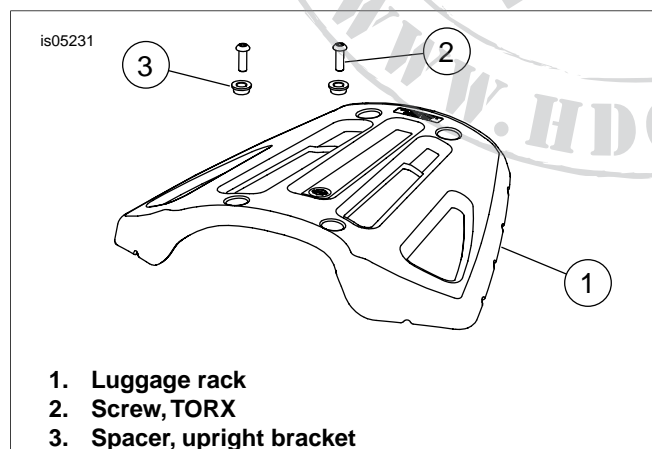


Figure 1. Install Luggage Rack

### SERVICE PARTS

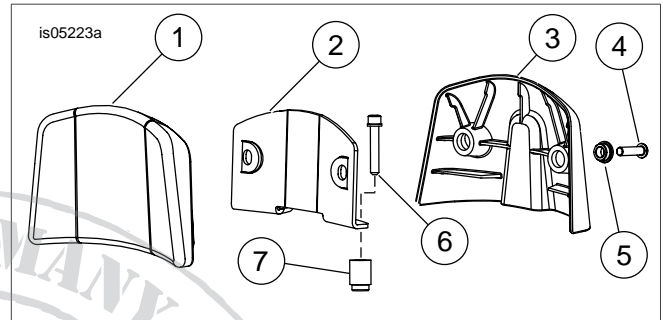


Figure 2. Service Parts: XR1200 Passenger Upright Kit

Table 1. Service Parts Table

Item	Description (Quantity)	Part Number
1	Pad, backrest	53973-08
2	Bracket, upright mounting	Not Sold Separately
3	Upright, XR1200	Not Sold Separately
4	Screw, hex button head, 0.25-20 x 1.0 inch (2)	Not Sold Separately
5	Spacer, short (2)	Not Sold Separately
6	Screw, hex socket head (2)	Not Sold Separately
7	Spacer, tall (2)	Not Sold Separately

Kit 52349-08 is available for separate purchase and includes Items 4 through 7 (one each).