



INSTRUCTIONS

-J03962

REV. 2006-09-08

DETACHABLE SIDEPLATE MOUNTING HARDWARE KIT

GENERAL

Kit Number

53974-06

Models

For model fitment information, please see the P&A Retail Catalog or the Parts and Accessories section of www.harley-davidson.com (English only).

Additional Parts Required

Proper installation of this kit also requires installation of a Turn Signal Relocation Kit (68732-02A - Domestic or 68733-02A - HDI).

Proper installation of this kit requires Loctite® 243 (blue) (99642-97), which is available from any Harley-Davidson dealership.

Kit Contents

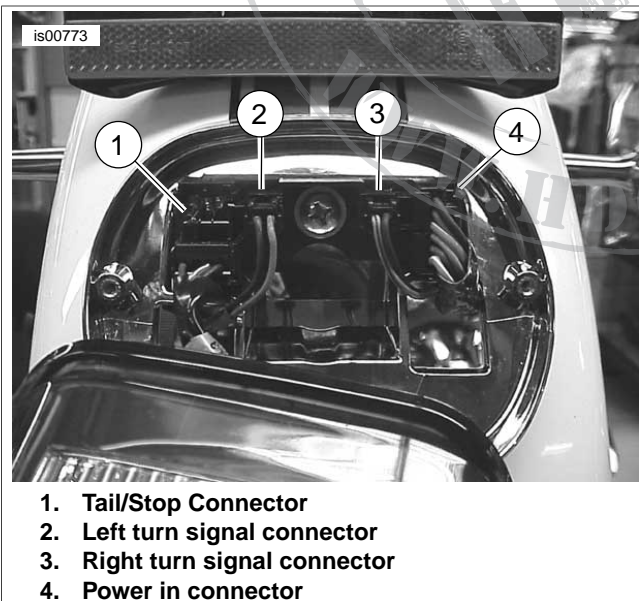
See Figure 4 and Table 1.

INSTALLATION

NOTE

When performing the following installation procedures, be cautious not to scratch painted surfaces (fender, tank, etc.).

1. Place motorcycle on a lift and secure front tire.



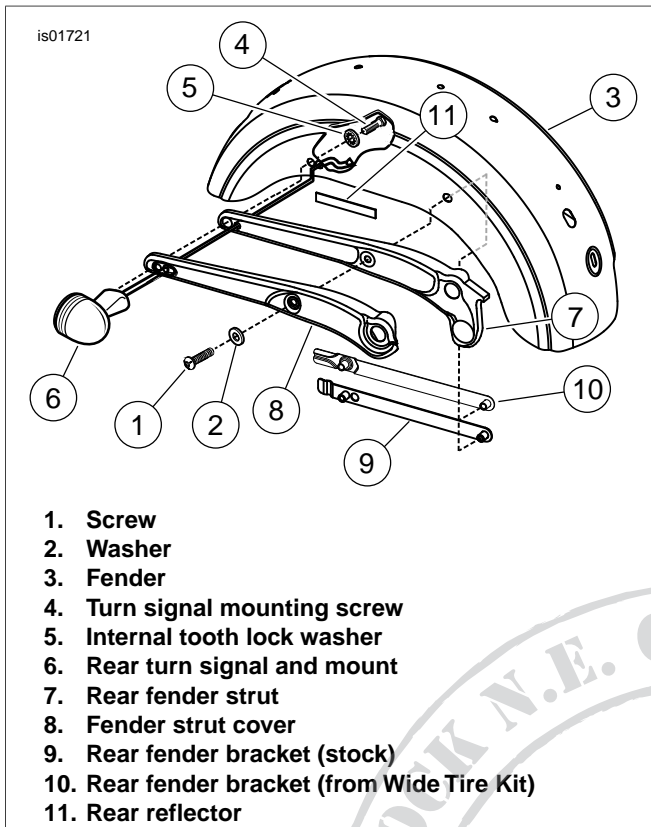
1. Tail/Stop Connector
2. Left turn signal connector
3. Right turn signal connector
4. Power in connector

Figure 1. Remove Connectors

⚠ WARNING

To prevent accidental vehicle start-up, which could cause death or serious injury, disconnect negative (-) battery cable before proceeding. (00048a)

2. Disconnect battery negative (-) cable.
3. If the stock reflectors are located on the rear fender, remove the reflectors. Clean adhesive from back side of reflector. Attach reflector to fender support cover using new double sided tape (53791-06) from the Sideplate kit.
4. Place a scissor jack under the frame for support and so that the rear wheel can be raised and lowered to allow access to the inside of the rear fender.
5. Remove upper shock bolts from both sides of the motorcycle.
6. See Figure 1. Remove two screws and tail light assembly from mounting bracket. Disconnect tail light harness (1) and set the tail light assembly aside.
7. See Figure 1. Disconnect both rear turn signal harnesses (2 & 3) from the tail light base.
8. See Figure 2. Remove turn signal mounting screw (4), lock washer (5) and rear turn signal assembly (6).
9. See Figure 2. Remove screw (1), washer (2), rear fender bracket (9 or 10) and fender strut cover (8). Discard screw, washer and bracket.



1. Screw
2. Washer
3. Fender
4. Turn signal mounting screw
5. Internal tooth lock washer
6. Rear turn signal and mount
7. Rear fender strut
8. Fender strut cover
9. Rear fender bracket (stock)
10. Rear fender bracket (from Wide Tire Kit)
11. Rear reflector

Figure 2. Remove Turn Signals and Rear Fender Bracket

NOTE

See Figure 3 for Steps 10 through 13.

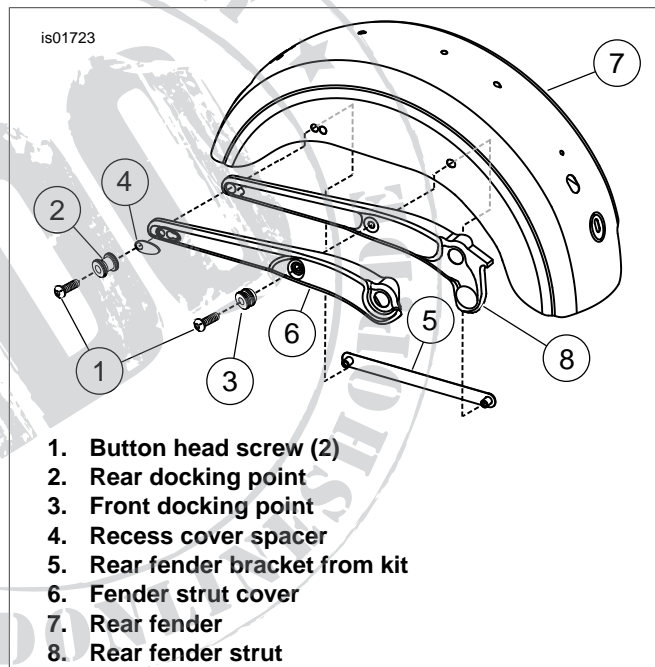
10. Obtain a new fender bracket (5) from the kit and install it in the same location as the previously removed rear fender bracket.
11. Apply Loctite 243 (Blue) to a button head screw from the kit. Install a front docking point (3), screw (1) and stock fender strut cover (6) to the forward hole of the rear fender bracket (5). Face the chamfered side of the docking point towards the fender strut cover.
12. Apply Loctite 243 (Blue) to a button head screw from the kit. Install a recess cover (4), rear docking point (2) and screw (1) to the rear hole of the rear fender bracket (5). Face the side of the docking point with the chamfered hole towards the fender strut cover.
13. Tighten docking point screws to 18 ft-lbs (24 Nm).

14. Repeat Steps 8 through 13 for the opposite side of the motorcycle.
15. Install a Turn Signal Relocation Kit (68732-02A - Domestic or 68733-02A - HDI) according to the Instruction Sheet (-J03107) included with the kit.
16. Apply Loctite 243 (blue) to the upper shock bolts. Install upper shock bolts and spacers. Tighten upper shock bolts to 75-85 ft-lbs (102-115 Nm).
17. See Figure 1. Connect turn signals connectors (2 and 3) if not already connected, and tail light connector (1).
18. Install tail light to rear fender using two tail light mounting screws removed previously.
19. Connect battery negative (-) cable.

⚠ WARNING

Be sure that all lights and switches operate properly before operating motorcycle. Low visibility of rider can result in death or serious injury. (00316a)

20. Verify turn signal, brake and tail light operation.



1. Button head screw (2)
2. Rear docking point
3. Front docking point
4. Recess cover spacer
5. Rear fender bracket from kit
6. Fender strut cover
7. Rear fender
8. Rear fender strut

Figure 3. Install Docking Points

SERVICE PARTS

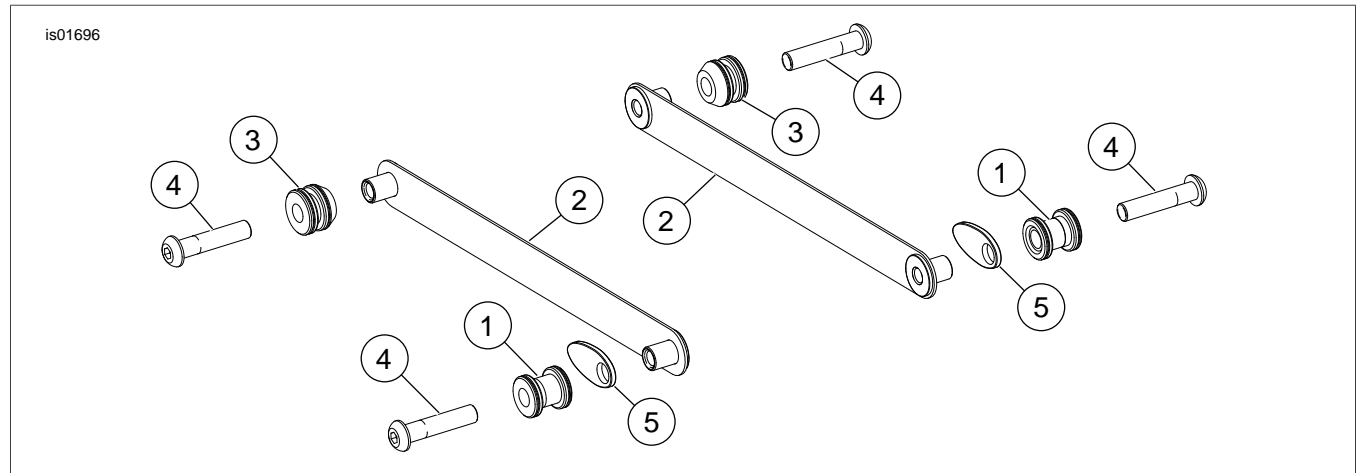


Figure 4. Service Parts for Detachable Sideplate Mounting Hardware Kit

Table 1. Service Parts Table

Item	Description (Quantity)	Part Number
1	Rear docking point (2)	53684-96A
2	Rear fender bracket (2)	59484-06
3	Front docking point (2)	53697-06
4	Button head cap screw, 3/8-16 X 1-3/4 in. (4)	4203
5	Recess cover spacer (2)	47531-06