



# INSTRUCTIONS

-J03710

REV. 2011-01-17

## DOCKING HARDWARE KIT

### GENERAL

#### Kit Number

53964-06B

#### Models

For model fitment information, see the P&A retail catalog or the Parts and Accessories section of [www.harley-davidson.com](http://www.harley-davidson.com) (English only).

#### Tools and Supplies Required

Loctite® 243 Threadlocker and Sealant - Blue (Part No. 99642-97) is required for the proper installation of this kit.

### ⚠ WARNING

**The rider's safety depends upon the correct installation of this kit. If the procedure is not within your capabilities or you do not have the correct tools, have a Harley-Davidson dealer perform the installation. Improper installation of this kit could result in death or serious injury. (00308a)**

#### Kit Contents

See Figure 1 and Table 1.

### INSTALLATION

#### NOTE

*Perform the following procedures one side at a time to maintain fender alignment.*

#### Front Docking Point Installation

1. See Figure 1. Remove and discard the fender support **front** screw.
2. Apply a few drops of Loctite 243 - Blue to the threads of a **new** screw (3) from the kit. Install a front docking point (2), tapered end last onto the screw threads, followed by a washer (6).
3. Install the screw to the fender, and tighten to 12-18 ft-lbs (16-24 Nm).

#### Rear Docking Point Installation

1. Remove and discard the fender support **rear** screw

2. Apply a few drops of Loctite 243 - Blue to the threads of a **new** screw (3) from the kit. Install a rear docking point (1), countersunk end first onto the screw threads, followed by a spacer (4).
3. Install the screw to the fender, and tighten to 12-18 ft-lbs (16-24 Nm).

#### Reflector Installation

#### NOTES

- *If using docking hardware for sideplate installation, attach reflectors to sideplates prior to riding.*
  - *Ambient temperature should be **at least** 60 °F (16 °C) for proper adhesion of the reflectors to the sideplates.*
1. Clean the sideplate surface of grease, oil and fingerprints with a mixture of 50-70% isopropyl alcohol and 30-50% distilled water. Allow to dry thoroughly.
  2. Remove the liner from the adhesive backing of the reflector, and align the reflector with the bottom edge of the sideplate, centered. Press the reflector firmly into place and hold in position with steady pressure for 30 seconds. Repeat for the other sideplate.

### MAINTENANCE

#### NOTE

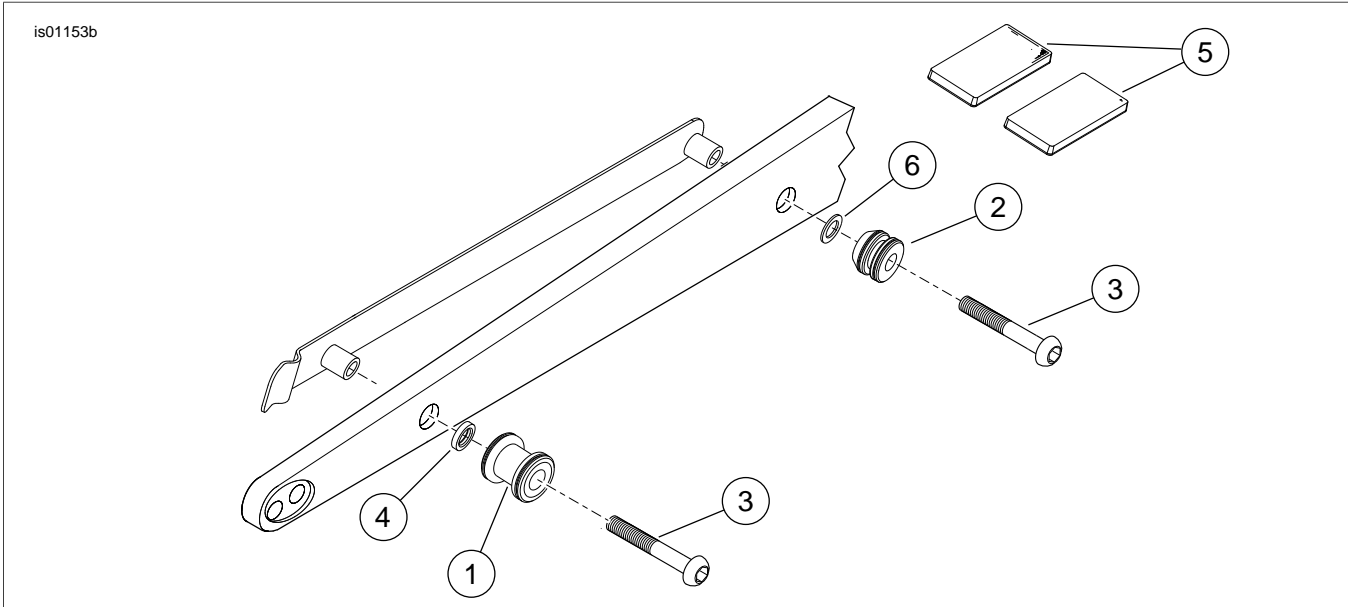
*In time docking points may wear, causing the mating luggage rack or sideplates to become loose and rattle. The fit may be tightened using the following procedure.*

1. Mark each docking point to indicate the current top position.
2. Remove the docking hardware.
3. Thoroughly remove all existing threadlocking agent from the docking point fastener and mounting hole threads before applying new Loctite 243 - Blue to the screw threads.
4. Rotate the docking points clockwise approximately 45 degrees from the previous position.
5. Tighten the docking hardware to the torque value indicated in the installation procedures.

This procedure can be repeated up to three times before replacement of the docking points is recommended.

# SERVICE PARTS

is01153b



**Figure 1. Service Parts: Docking Hardware Kit**

**Table 1. Service Parts Table: Docking Hardware Kit**

Item	Description (Quantity)	Part Number
1	Docking point, rear (2)	53684-96A
2	Docking point, front (2)	53697-06
3	Screw, button head, 3/8-16 x 1-3/4 in (4)	4203
4	Spacer (2)	5699
5	Reflector, red (2)	59266-09
6	Washer (2)	6379W

