



INSTRUCTIONS

-J03669

REV. 2010-09-17

SPORT LUGGAGE RACKS

GENERAL

Kit Numbers

Table 1. Sport Luggage Rack Kits

| Kit Number | Rack Description |
|------------|--------------------------------------|
| 53896-06 | Softail Five Bar (Chrome) |
| 53953-06 | Softail Custom Tapered (Chrome) |
| 53965-06 | Softail Five Bar (Wrinkle Black) |
| 53982-08 | Dyna Five Bar Tapered (Chrome) |
| 54049-10 | Dyna Five Bar Tapered (Gloss Black) |
| 54055-10 | Dyna Five Bar Tapered (Chrome) |
| 54263-10 | Softail Custom Tapered (Gloss Black) |
| 50300030 | Custom Tapered Sport (Chrome) |
| 50300031 | Custom Tapered Sport (Gloss Black) |

Models

For model fitment information, see the P&A retail catalog or the Parts and Accessories section of www.harley-davidson.com (English only).

Additional Parts Required

Separate purchase of additional parts or accessories may be required for proper installation of this Luggage Rack on this model motorcycle. See the P&A retail catalog or the Parts and Accessories section of www.harley-davidson.com (English only) for a list of required parts or accessories for this model.

Tools and Supplies Required

Loctite® 271 Threadlocker and Sealant - Red (H-D Part Number 99671-97) is required for the proper installation of this kit. This item is available from a Harley-Davidson dealer.

Kit Contents

See Figure 1 and Table 2.

INSTALLATION

NOTE

Cover the rear fender with an H-D Service Cover or clean shop towel to prevent scratching the finish.

Rigid Mount Sideplates Only

- See Figure 1. **Loosen** front two 3/8-16 TORX screws that attach rigid mount sideplates (A).
- Loosen and **remove** rear two sideplate screws.
- Raise sissy bar/sideplate assembly to gain access to screws (2) that attach sissy bar (B) to sideplates.

Rigid and Detachable Sideplates

- Remove and discard four button head TORX screws (2) that attach sissy bar to sideplates.
- Position luggage rack (1) between the sideplates.
- Apply Loctite 271 - Red to **new** TORX screws (2) from kit, and insert screws through holes in luggage rack, sideplate and sissy bar. Tighten screws to 8-10 ft-lbs (10.8-13.6 Nm).

NOTES

When properly installed the bumpers will cover the lower TORX head screws, and will bend around the lower edge of the sideplate channel.

- Remove backing strip from two rubber bumpers (3) and install onto luggage rack.
 - Align notches in bumper with bottom edge of channel on sideplate.
 - Wrap bumper up side of luggage rack channel and across bottom of sissy bar.

Rigid Mount Sideplates Only

- Return sissy bar/sideplates to the normal position.

NOTE

Thoroughly remove all existing threadlocking agent from fastener and mounting hole threads before applying new threadlocking agent.

- Apply Loctite 271 - Red to the **clean** threads of the rear two TORX screws that attach rigid mount sideplates to motorcycle. Install rear two sideplate screws finger-tight.
 - Remove, clean and apply Loctite to front two screws, and install.
 - Tighten front and rear screws to 21-27 ft-lbs (28.5-36.6 Nm).

WARNING

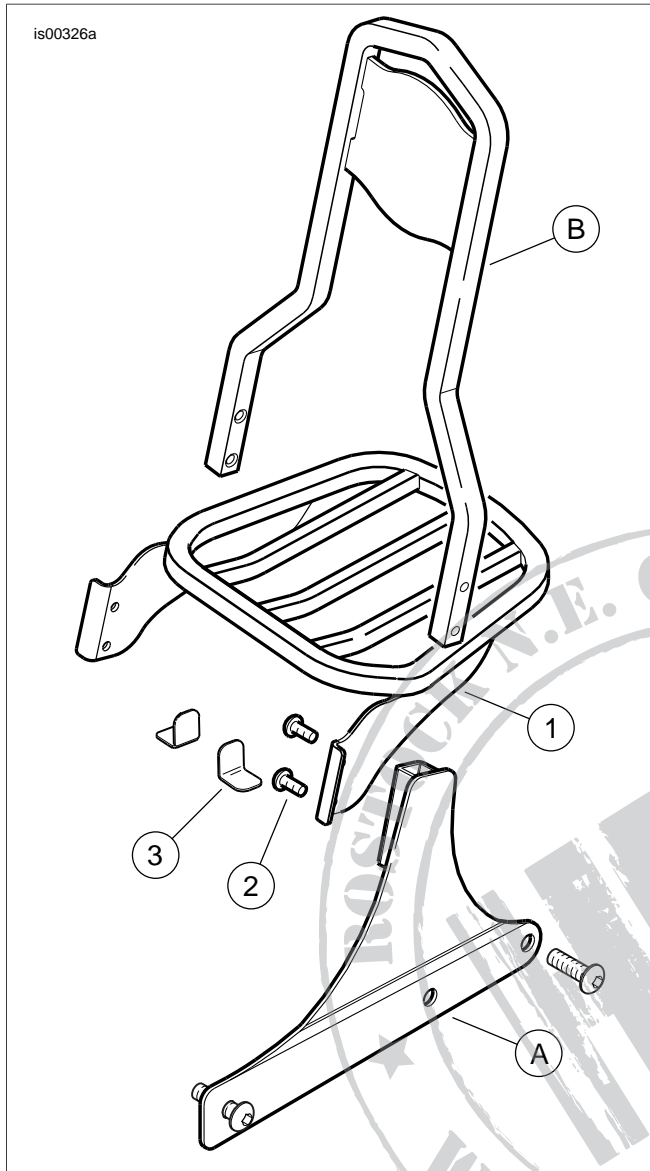
Do not exceed luggage rack weight capacity. Too much weight can cause loss of control, which could result in death or serious injury. (00373a)

NOTES

- The luggage rack weight capacity is limited to a maximum of 10 lbs (4.5 kg).
- Do not use this rack as a seat.
- Do not exceed the fender rack weight capacity.

SERVICE PARTS

Table 2. Service Parts



| Item | Description (Quantity) | Part Number |
|--|---|---------------------|
| 1 | Luggage rack (1) | Not sold separately |
| 2 | Screw, button head TORX®, 1/4-20 x 3/4 inch (19 mm) long (4) | 94593-98 |
| 3 | Rubber bumper (2) | 53707-96A |
| Items mentioned in text, but not included in kit: | | |
| A | Sideplate | |
| B | Sissy bar | |

Figure 1. Service Parts, Sport Luggage Racks