



INSTRUCTIONS

-J01805

REV. 2006-12-18

SPORT LUGGAGE RACK

GENERAL

Kit Number

53899-02, 53900-02

Models

For model fitment information, please see the P&A Retail Catalog or the Parts and Accessories section of www.harley-davidson.com.

Kit Contents

Table 1. Kit Contents

Description (Quantity)	Part Number
Screws, hex socket, 1/4-28 x 1-3/8 inch (4)	944
Locknuts, 1/4-28 inch (4)	8009
Luggage rack	Not Sold Separately

Additional Parts Required

LOCTITE® 262 Threadlocker (Red) (Harley-Davidson Part Number 94759-99), is available at a Harley-Davidson Dealer.

INSTALLATION

1. Remove and discard the screws fastening the passenger upright to the upright sideplates.

NOTE

On FXDWG Models, you will need to enlarge the holes by drilling out the threads on the upright using a 9/32 drill bit. This is necessary for achieving proper clamp load when fasteners are final tightened.

CAUTION

Always wear proper eye protection when drilling or grinding. Flying debris could cause serious eye injury. (00402e)

FXDWG Models: Using a 9/32 inch drill bit, carefully drill out the threads in the upright mounting holes. Remove any burrs or sharp edges.

2. See Figure 1. Position the luggage rack (3) between the sideplates of the passenger upright assembly.
3. Apply LOCTITE® 262 (Red) to threads of 1/4-28 screws (1). Thread screws through holes in the passenger upright sideplate, passenger upright, and luggage-rack support.
4. Fasten locknuts (2) to the screws. Tighten locknuts to 14 ft-lbs (19.4 Nm.).

NOTE

Maximum luggage rack weight capacity is ten pounds (4.5 Kg).

WARNING

Do not exceed luggage rack weight capacity. Too much weight can cause loss of control, which could result in death or serious injury. (00373a)

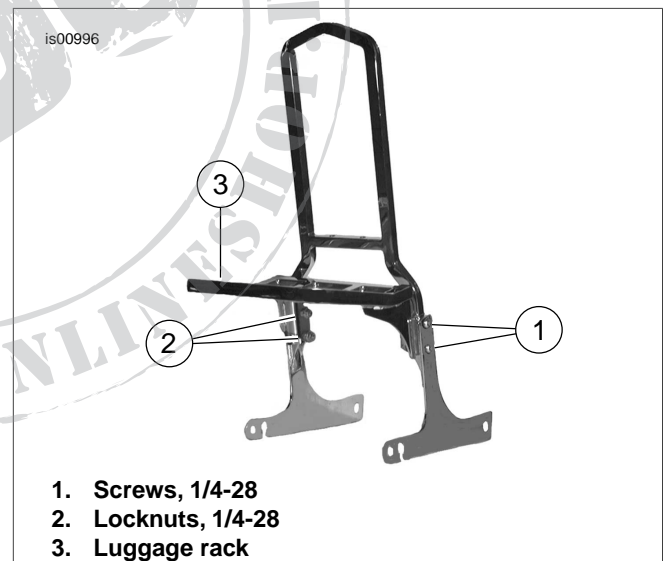


Figure 1. Luggage Rack