



# INSTRUCTIONS

-J01906

REV. 2007-07-24

## SOFTAIL SPORT LUGGAGE RACK

### GENERAL

#### Kit Number

53862-00, 53939-03

#### Models

For model fitment information, please see the P&A Retail Catalog or the Parts and Accessories section of [www.harley-davidson.com](http://www.harley-davidson.com) (English only).

#### Additional Parts Required

Harley-Davidson International (HDI) FLSTC models will require License Plate Relocation Kit (Part No. 60095-00).

Loctite® 271 Threadlocker and Sealant, Red (Part No. 99671-97)

#### Kit Contents

Table 1. Kit Contents

Description (Quantity)	Part Number
Luggage rack	Not Sold Separately
Screw, flat head, TORX® (4)	3911
Rubber bumper (2)	53707-96

### INSTALLATION

#### NOTE

Cover the rear fender with a clean shop towel to prevent scratching. Damage to the finish could result.

- See Figure 1. Remove the four button-head TORX screws attaching the sissy bar (5) to the sideplates (4). Discard the screws
- Remove the sissy bar and set it aside.  
**For Rigid-Mount Sideplates only:** Loosen, but do not remove, the hardware securing the sideplates to the motorcycle.
- Position the luggage rack between the sideplates. Reinstall the sissy bar into the sideplate channels.
- Apply Loctite 271 (Red) to the flat head TORX screws (2) from the kit, and insert through the holes in the luggage rack (1), sideplate, and sissy bar. Tighten the screws to 8-10 ft-lbs (10.8-13.6 Nm).

**For Rigid-Mount Sideplates only:** Apply Loctite 271 (Red) to the screws securing the sideplates to the motorcycle, and tighten to 21-27 ft-lbs (28.5-36.6 Nm).

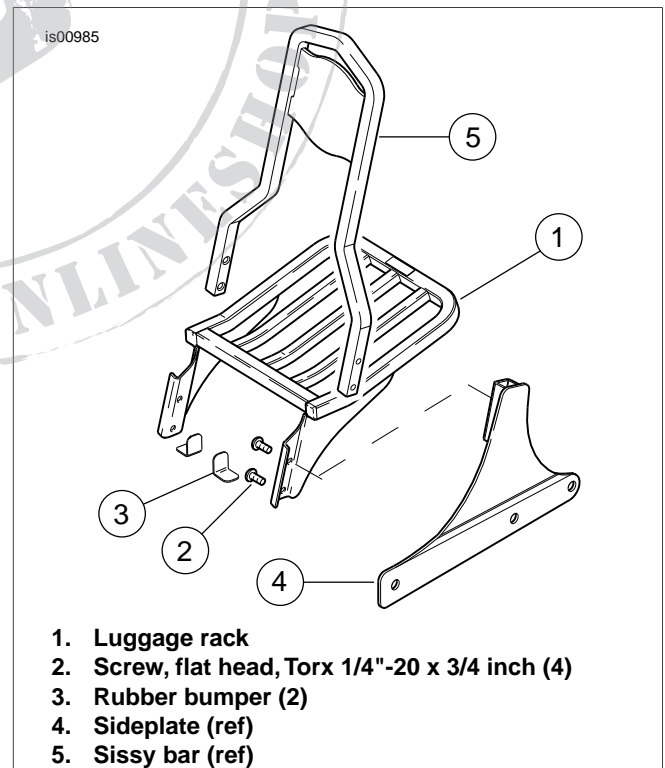
- Remove the backing strip from the two rubber bumpers (3) and install onto the luggage rack.
  - Align the notches in the bumper with the bottom edge of the channel on the sideplate.
  - Wrap the bumper up the side of the luggage rack channel and across the bottom of the sissy bar. When properly installed the bumpers will cover the lower flat head screws, and will bend around the lower edge of the channel.

#### WARNING

Do not exceed luggage rack weight capacity. Too much weight can cause loss of control, which could result in death or serious injury. (00373a)

#### NOTE

Maximum luggage rack weight capacity is ten pounds (4.5 Kg).



- Luggage rack
- Screw, flat head, Torx 1/4"-20 x 3/4 inch (4)
- Rubber bumper (2)
- Sideplate (ref)
- Sissy bar (ref)

Figure 1. Luggage Rack Installation