



# INSTRUCTIONS

-J03028

REV. 2007-03-21

## SPORT LUGGAGE RACK

### GENERAL

#### Kit Number

53510-07 - Gloss Black

53718-04 - Chrome

#### Models

For model fitment information, please see the P&A Retail Catalog or the Parts and Accessories section of [www.harley-davidson.com](http://www.harley-davidson.com) (English only).

#### Additional Parts

This kit is designed to be installed only with Genuine Harley-Davidson sissy bar uprights and rigid or detachable sideplates. For accessories and kit part numbers see your local Harley-Davidson dealer, [www.harley-davidson.com](http://www.harley-davidson.com) or your Harley-Davidson Genuine Motor Accessories and Parts catalog.

Separate purchase of LOCTITE® 271 Threadlocker and Sealant - Red (Harley-Davidson Part Number 99671-97) is required for proper installation of this kit.

#### Kit Contents

Table 1. Kit Contents

Description (Quantity)	Part Number
Luggage rack	Not Sold Separately
Screw, button head, Torx®, 1/4-20 x 3/4 inch (4)	94593-98
Rubber bumper (2)	53707-96A

### INSTALLATION

1. See Figure 1. If the sissy bar and sideplates have been previously installed, remove the four button head Torx screws attaching the sissy bar (5) to the sideplates (4). Discard the screws.
2. Remove the sissy bar and set it aside.  
**For Softail Models with Rigid-Mount Sideplates only:** Loosen, but do not remove, the hardware securing the sideplates to the motorcycle.
3. Position the luggage rack between the sideplates. Reinstall the sissy bar into the sideplate channels.

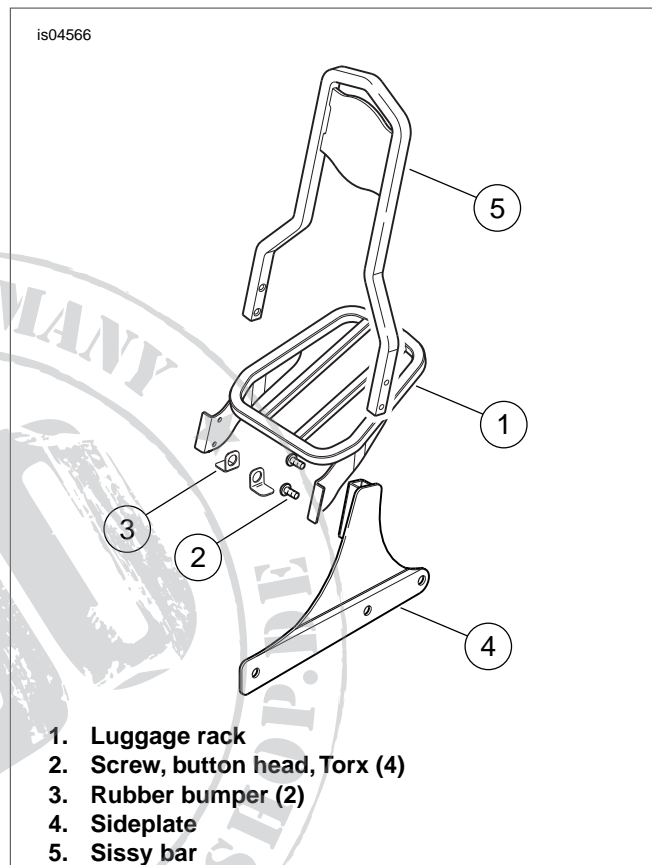


Figure 1. Luggage Rack Installation

4. Apply LOCTITE 271 to the button head Torx screws (2) from the kit, and insert through the holes in the luggage rack (1), sideplate and sissy bar. Tighten the screws to 96-120 in-lbs (10.8-13.6 Nm).
5. **For Softail Models with Rigid-Mount Sideplates only:** Apply LOCTITE 271 to the screws securing the sideplates to the motorcycle, and tighten to 21-27 ft-lbs (28.5-36.6 Nm).

#### NOTE

When properly installed, the holes in the bumpers will align with the lower button head screws, and the bumpers will bend around the lower edge of the channel.

6. Remove the backing strip from the two rubber bumpers (3) and install onto the luggage rack.
  - a. Align the notches in the bumper with the bottom edge of the channel on the sideplate.
  - b. Wrap the bumper up the side of the luggage rack channel and across the bottom of the sissy bar.