



# INSTRUCTIONS

-J04174

REV. 2006-06-12

## BULLET REAR TURN SIGNAL BRACKET AND LICENSE PLATE RELOCATION KIT

### GENERAL

#### Kit Number

53702-04A

#### Models

This kit fits 1999 and later FL Touring models. It is identical to the original equipment turn signal bracket and license plate holder found on FLHX (Street Glide™) models.

#### NOTE

*This kit **cannot** be used with a fender tip lamp or cover. The bumper cushion and rail **can** remain on models so equipped.*

#### Additional Parts Required

Loctite® 271 (Red) Threadlocker and Sealant (H-D Part Number 99671-97) is required for proper installation of this kit.

Fitment of this kit on 1999 to early 2003 models requires the additional purchase of a Tail Lamp Socket, part number 68370-03A.

The above items are available from a Harley-Davidson Dealer.

Models equipped with a rear fender medallion will need approximately 18 in. (0.46m) of fishing line (or string) to aid in removing the medallion.

#### WARNING

**The rider's safety depends upon the correct installation of this kit. Use the appropriate service manual procedures. If the procedure is not within your capabilities or you do not have the correct tools, have a Harley-Davidson dealer perform the installation. Improper installation of this kit could result in death or serious injury. (00333a)**

#### NOTE

*This instruction sheet references Service Manual information. A Service Manual for your model motorcycle is required for this installation and is available from a Harley-Davidson Dealer.*

### Electrical Overload

#### CAUTION

It is possible to overload your motorcycle's charging system by adding too many electrical accessories. If your combined electrical accessories operating at any one time consume more electrical current than your vehicle's charging system can produce, the electrical consumption can discharge the battery and cause vehicle electrical system damage. See a Harley-Davidson dealer for advice about the amount of current consumed by additional electrical accessories, or for necessary wiring changes. (00211b)

#### WARNING

When installing any electrical accessory, be certain not to exceed the maximum amperage rating of the fuse or circuit breaker protecting the affected circuit being modified. Exceeding the maximum amperage can lead to electrical failures, which could result in death or serious injury. (00310a)

The two additional license plate lamp bulbs require up to **700 milliamps** additional current from the electrical system.

#### Kit Contents

See Figure 3 and Table 1.

### INSTALLATION

For models **WITH** maxi-fuse:

#### WARNING

To prevent accidental vehicle start-up, which could cause death or serious injury, remove maxi-fuse before proceeding. (00251a)

1. Refer to the Service Manual and follow the instructions given to remove the seat and maxi-fuse. Retain all seat mounting hardware.

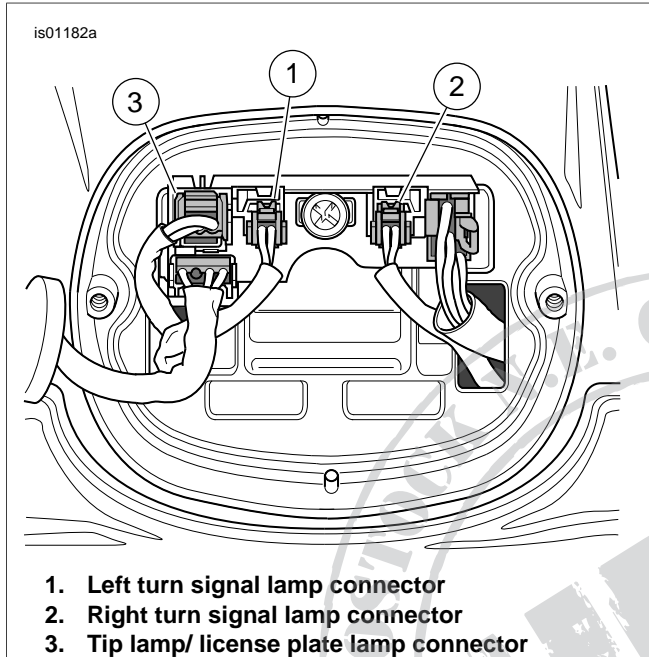
For models **WITHOUT** maxi-fuse:

#### WARNING

To prevent accidental vehicle start-up, which could cause death or serious injury, disconnect negative (-) battery cable before proceeding. (00048a)

1. Refer to the Service Manual and follow the instructions given to remove the seat and disconnect the negative (black) battery cable from the negative (-) battery terminal. Retain all seat mounting hardware.

2. **For ALL models:** Remove the license plate from the vehicle (if installed). Retain the plate and attaching hardware.
3. Remove and discard the original equipment (O.E.) license plate holder and attaching hardware.
4. See Figure 1 and the TAIL LAMP section of the Service Manual. Remove the tail lamp assembly from the chrome base, and disconnect the left (1) and right (2) turn signal wires at the connectors.



**Figure 1. Rear Lamp Connections**

5. If the motorcycle is equipped with a rear fender tip lamp, disconnect the tip lamp wire connector (3) per the instructions in the REAR FENDER TIP LAMP section of the Service Manual.
6. Remove the O.E. rear turn signal bracket and lamps from the motorcycle. See REAR TURN SIGNAL LAMPS BRACKET in the Service Manual. Discard the bracket and lamps, but retain the two hex washer head screws and external-tooth lock washers for re-assembly.
7. **For models with a fender tip lamp or fender tip cover:** Remove and discard the lamp or cover, along with all attaching hardware.  
**For models with a round rear fender bumper attached to the fender with adhesive:** The bumper can remain in place. Proceed to Step 8.  
**For models with NO fender tip lamp, fender tip cover, rear fender medallion or round rubber bumper:** Proceed to Step 8.

**For models with a rear fender medallion:**

- a. Using a side-to-side "sawing" motion, work an approximately 18 in. (0.46m) length of fishing line (or string) under the medallion to break the adhesive bond between the medallion and the fender surface.
- b. Remove and discard the rear fender medallion.
- c. *NOTE: To avoid damaging the fender surface, do not use tools or abrasive cleaners to remove the adhesive residue from the fender. Stay within the area that the new rubber bumper will cover.*

Carefully peel off as much adhesive residue as possible, using your thumb and fingers only.

- d. *NOTE: Use of cleaning compounds other than isopropyl alcohol may damage the fender finish. Test on an inconspicuous area.*

Clean the fender surface with a mixture of 50% to 70% isopropyl alcohol and 30% to 50% distilled water or, if necessary, straight isopropyl alcohol. Allow to dry thoroughly.

- e. See Figure 3. Peel the liner from the adhesive backing of the new rubber bumper (14), and place the bumper over the area where the medallion was removed.

8. Install the chrome rear fender cover (11) using two chrome button head screws (12), flat washers (8) and nylon lock nuts (13) from the kit. Carefully tighten the nuts to attain a snug fit without cracking or buckling the surface of the plastic fender cover. **DO NOT** exceed 30 **in-lbs** (3.4 Nm).

9. See Figure 3. Obtain the following items from the kit:

- Turn signal bracket and lamp assembly (1)
- License plate mounting bracket (2)
- License plate adjusting bracket (3)
- Rubber bumper (4)
- Reflector bracket (5)
- Two #10-24 x 3/8 in. Phillips pan head screws (6)
- Two #10 helical spring lock washers (7)
- Two #10 flat washers (8)
- Two 1/4-20 x 3/4 in. hex socket button head screws (9)
- Two 1/4 in. helical spring lock washers (10)

10. Nest the license plate adjusting bracket (3) inside the license plate mounting bracket (2) in the orientation shown. Position the reflector bracket (5) over the mounting bracket so the slots on all three brackets line up.

Place a small lock washer (7), then a flat washer (8) onto the threads of a small screw (6).

Insert the screw through the slots in one side of the reflector and license plate mounting bracket, and thread into the collar on the side of the adjusting bracket. Do not fully tighten at this time. Repeat for the opposite side.

11. Fasten the license plate bracket to the turn signal bracket and lamp assembly (1) with the two large screws (9) and lock washers (10). Tighten securely.

From the back side, insert the rubber bumper (4) through the small hole near the bottom of the adjusting bracket.

**NOTE**

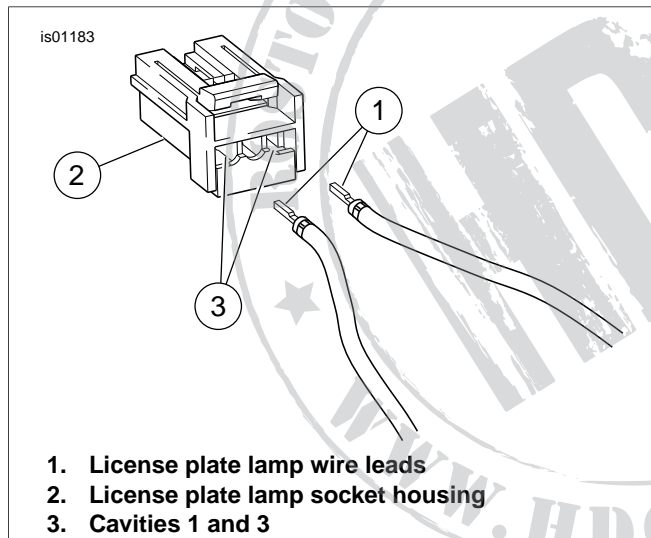
Do not attach the license plate lamp wire connector (19) to the wires until the wires have been routed into the tail lamp assembly.

12. Feed the left-side turn signal connector (E) and license plate lamp wires (D) from the new turn signal bracket and lamp assembly through the left side hole to the underside of the fender. Feed the right-side turn signal connector through the right side hole.

Obtain the two hex washer head screws and external-tooth lock washers saved in Step 6, and place a lock washer on the threads of each screw. Apply a drop of Loctite® 271 (Red) Threadlocker and Sealant to the screw threads.

Secure the turn signal bracket to the motorcycle with the two screws and lock washers. Tighten the screws to 84-144 **in-lbs** (9.5-16.3 Nm).

13. From inside the rear fender, feed the left and right turn signal connectors and license plate lamp wires from the turn signal bracket up and through the left or right tail lamp assembly holes as shown in Figure 1.
14. See Figure 2. Insert one black license plate lamp lead (1) into cavity 1 (3), and the second black lead into cavity 3 of the three-way license plate lamp socket housing (2) per the MULTILOCK ELECTRICAL CONNECTORS instructions in the Service Manual.



**Figure 2. License Plate Lamp Connections**

15. See Figure 1. Plug the turn signal and license plate lamp socket housings into the mating rear lamp circuit board pin housings.
16. Reach under the rear fender, and capture the left-side turn signal and license plate lamp wiring in the left-side cable clip anchored on the "T"-stud. Capture the right-side turn signal wiring in the right-side clip. Check to make sure that no wires are hanging loose under the fender.

**NOTE**

Installation of the tail lamp lens assembly (17) on 1999 through early 2003 models requires the use of a new tail lamp socket

(part number 68370-03A, available separately) in place of the O.E. socket.

17. Obtain the tail lamp lens and bulb assembly removed in Step 4, and the **new** tail lamp lens assembly (17) from the kit. Remove the bulb and socket from the O.E. lens (see TAIL LAMP ASSEMBLY in the Service Manual), and install into the new lens.
18. Plug the tail lamp socket housing into the mating rear lamp circuit board pin housing. Place the tail lamp against the chrome base, and alternately tighten the captive screws (18) to 20-24 **in-lbs** (2.3-2.7 Nm).
19. See Figure 3. Position the support tube cover (15), with the "Harley-Davidson" script reading upright, over the two holes in the O.E. license plate support tube. Use the two chrome button head cap screws (16) from the kit to fasten the cover to the tube. Fasten securely.
20. Obtain the vehicle license plate (if available) and the license plate hardware (saved earlier). Position the plate over the reflector bracket (5). Loosen the screws (6) on the side of the license plate brackets if necessary, and move the adjustment bracket (3) up or down to fit the license plate size.  
Install the license plate hardware through the license plate, and the slots in the reflector and license brackets. Fasten securely. Tighten the side screws securely.
21. Peel the liner from the adhesive backing of the new reflector (20) and install the reflector squarely on the horizontal cross bar of the reflector bracket.
22. Verify that the Ignition/ Light Key Switch is in the OFF position.

**Models WITH maxi-fuse:** Refer to the Service Manual and follow the instructions given to re-install the maxi-fuse.

**Models WITHOUT maxi-fuse:** Re-connect the negative (-) battery cable per the instructions in the Service Manual. Apply a light coat of petroleum jelly or corrosion retardant material to the battery terminal.

**NOTES**

Check for proper lamp operation before riding the motorcycle. Weak, intermittent, or non-operational lamps indicate a poor connection or a short in the wires.

If the rear turn signals operate opposite of switch function, remove the tail lamp lens assembly and disconnect and reverse the turn signal electrical connectors in the tail lamp assembly. Test the rear turn signals again for proper function.

**WARNING**

**Be sure that all lights and switches operate properly before operating motorcycle. Low visibility of rider can result in death or serious injury. (00316a)**

23. Turn the Ignition/ Light Key Switch to ON to power the lamps, but do not start the motorcycle.

Make sure that both turn signals, the tail/ stop lamp assembly and the license plate lamp function properly.

## SERVICE PARTS

Table 1. Service Parts Table

Item	Description (Quantity)	Part Number
1	Turn signal bracket and lamp assembly	Not sold separately
2	License plate mounting bracket	60089-05
3	License plate adjustment bracket	60090-05
4	Rubber bumper	67845-05
5	Reflector bracket	53782-04
6	Machine screw, pan head, Phillips, #10-24 x 3/8 in. (2)	2660
7	Lock washer, helical spring, #10 (2)	7069
8	Flat washer, #10 (4)	6716
9	Screw, button head, hex socket, 1/4-20 x 3/8 in. (2)	3652
10	Lock washer, helical spring, 1/4 in. (2)	7036
11	Rear fender cover	53703-04
12	Cap screw, button head, hex socket, #10-32 x 3/4 in., chrome (2)	94383-92T
13	Lock nut, Nylon, #10-32 (2)	94025-92T
14	Bumper, rear fender	59581-05
15	Support tube cover	53709-04
16	Cap screw, button head, Torx®, chrome (2)	94600-98
17	Tail lamp lens assembly (includes two of item 18)	68245-03
18	• Screw, pan head, Phillips, with dog point	68026-99
19	Socket housing, 3-way, Multilock	73153-96BK
20	Reflector (red)	59988-72A
<b>Items mentioned in text, but not included in kit:</b>		
A	Bulb, turn signal (2), Part Number 68572-64B	
B	License plate lamp	
C	Bulb, license plate lamp (2), Part Number 52441-95	
D	Wire lead, license plate lamp, black (2)	
E	Wire lead and socket housing, turn signal lamp (2)	

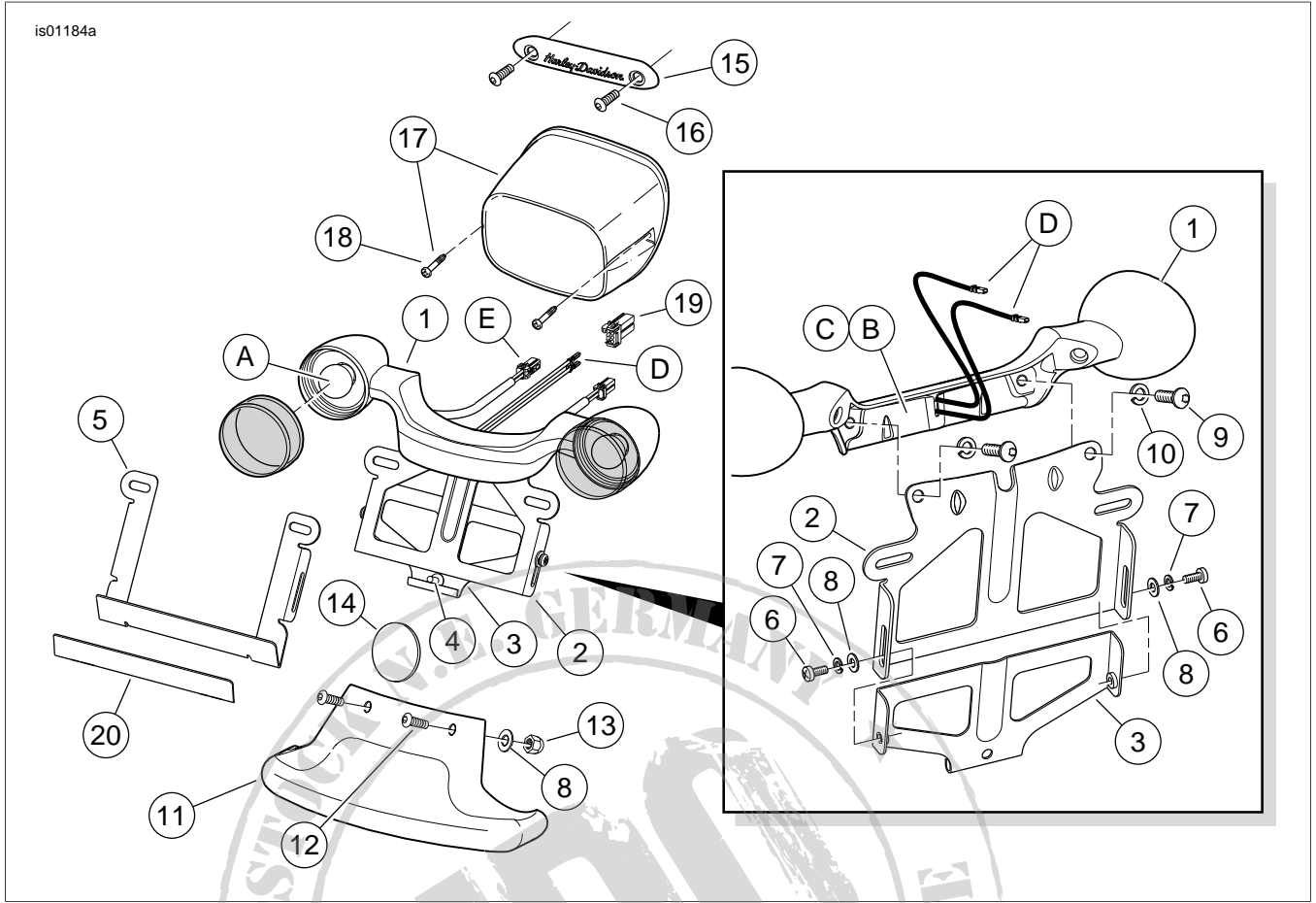


Figure 3. Service Parts, Rear Turn Signal Bracket and License Plate Relocation Kit