



# INSTRUCTIONS

-J00269

REV. 2006-05-09

## KING TOUR-PAK ACCENT RAIL (ULTRA CLASSIC STYLE)

### GENERAL

#### Kit Number

53667-89A

#### Models

This kit is for use on vehicles equipped with a **KING TOUR-PAK** and **ULTRA-CLASSIC WRAP AROUND TAIL LAMP**.

#### Kit Contents

See Figure 1 and Table 1.

### INSTALLATION

1. See Figure 1. Place a strip of masking tape (B) at all four mounting positions.
2. Place tubing feet (6) over the two short extensions, where tapped mounting holes are located, on the lower tube of accent rail, and two short 90° tube extensions on each side of the upper rail.

#### NOTE

*When positioned properly, the accent rail should lightly contact the Tour-Pak (C) at the four mounting locations to ensure proper fitment of the Tour-Pak lid. If excess gap exists, or the accent rail is pushing in on the Tour-Pak, adjust the accent rail position accordingly. If conditions remain after repositioning the rack, contact your Harley-Davidson authorized dealer.*

3. Place the accent rail (1) in position on Tour-Pak (C) around the lights (D) and over the masking tape (B). When positioned properly the upper tube of the accent rail (1) will line up approximately with the top of the lights (D) and the lower tube will line up approximately with the bottom of the lights.

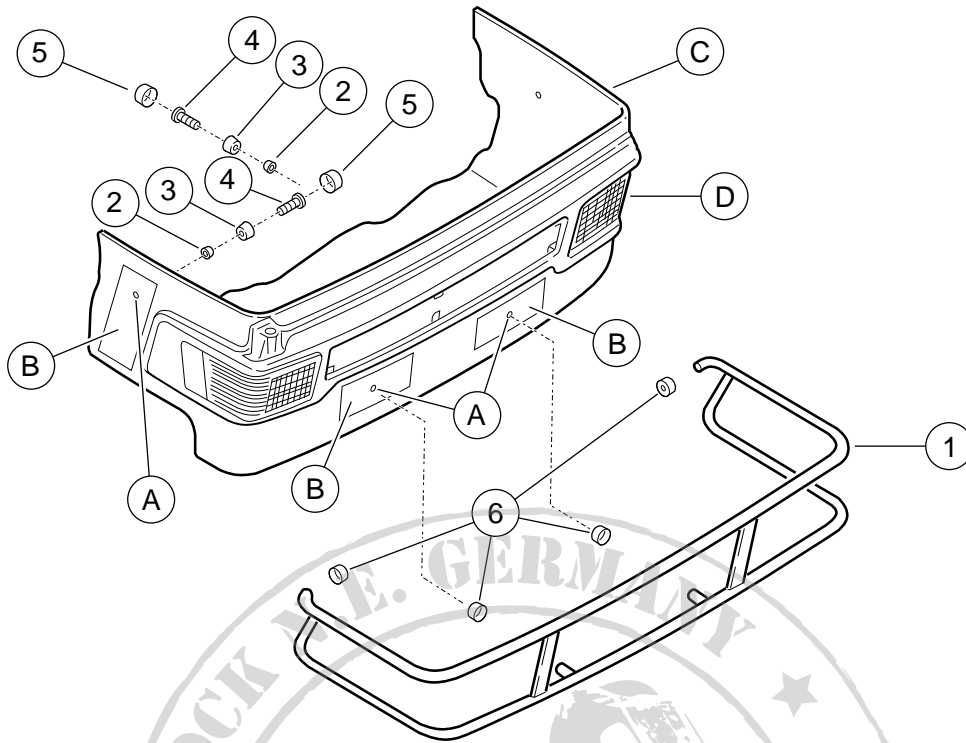
4. Hold accent rail (1) in place and mark a circle on masking tape around the tube at each mounting point.
5. Remove the accent rail (1), and mark a center point in each circle on the masking tape (B). Center punch and drill a 7/32-in. hole at each mounting point.
6. Remove the two strips of tape (B) at the backside of the Tour-Pak (C). Leave the masking tape (B) in place at the left and right sides to prevent scratching the painted surface.
7. Place the accent rail (1) in final position with holes in Tour-Pak aligned with tapped holes in the tube extensions at lower rail. On two screws (4) place a cap lug washer (3) and a washer (2). Insert each screw (4) through the Tour-Pak (C), through the tubing foot (6), and thread into the tapped hole in the tube extension at the lower rail. Tighten the screws (4) finger tight only.
8. At one side of the Tour-Pak, pull upper rail way from Tour-Pak surface. Carefully remove tape from under rail. While rail is held away from Tour-Pak, slide tubing foot (6) over short 90° tube extension at upper rail. Place a cap lug washer (3) and a washer (2) on screw (4). Insert screw (4) through Tour-Pak (C), through tubing foot (6), and thread into the 90° tube extension.
9. Repeat Step 7 at each side of Tour-Pak. Tighten all four screws. Place a cap lug cap (5) over each cap lug washer (3) at all four mounting screws (4).

#### NOTE

*Do not tie or attach anything to the accent rail. The accent rail is a decorative piece only and not meant for heavy loading.*

# KIT CONTENTS

is03350



**Figure 1. Accent Rail Mounting**

**Table 1. Accent Rail Mounting Kit Contents**

Item	Description (Quantity)	Part Number
1	Accent rail (1)	Not Sold Separately
2	Washer (4)	Not Sold Separately
3	Cap lug washer (4)	Not Sold Separately
4	Screw (4)	Not Sold Separately
5	Cap lug cap (4)	Not Sold Separately
6	Tubing foot (4)	Not Sold Separately
<b>Items mentioned in text:</b>		
A	7/32-inch hole	
B	Tape	
C	Tour-Pak	
D	Light, wrap around	