



# INSTRUCTIONS

-J04881

REV. 2008-12-12

## DETACHABLE STEALTH LUGGAGE RACK

### GENERAL

#### Kit Number

53472-09 (chrome), 53566-09 (gloss black)

#### Models

For model fitment information, see the P&A Retail Catalog or the Parts and Accessories section of [www.harley-davidson.com](http://www.harley-davidson.com) (English only).

#### Additional Parts Required

The appropriate docking hardware must be installed prior to installation of these luggage rack kits. Please see the P&A Retail Catalog or the Parts and Accessories section of [www.harley-davidson.com](http://www.harley-davidson.com) (English only) for a list of required parts or accessories for your model.

### ⚠ WARNING

The rider's safety depends upon the correct installation of this kit. If the procedure is not within your capabilities or you do not have the correct tools, have a Harley-Davidson dealer perform the installation. Improper installation of this kit could result in death or serious injury. (00308a)

#### Kit Contents

See Figure 3 and Table 1.

### INSTALLATION

1. Install a docking point kit using the kit instructions.
2. See Figure 1. While standing behind the motorcycle, place the rack side plate notches (2) into the forward docking points (4). Make sure the notches seat fully into the mounts.
3. See Figure 2. Position the rotary latches (1) over the rear docking points (2). Check to be sure the rotary latches fit into the neck of the rear docking points as shown. This may require some gentle squeezing or spreading of the side plates.
4. Push the rear of the side plates downward and close the rotary latches by pressing the latch lever as far forward as it will go. You will hear a **CLICK** when the latch is in place. **If the latch does not easily close, do not force.** Recheck alignment.

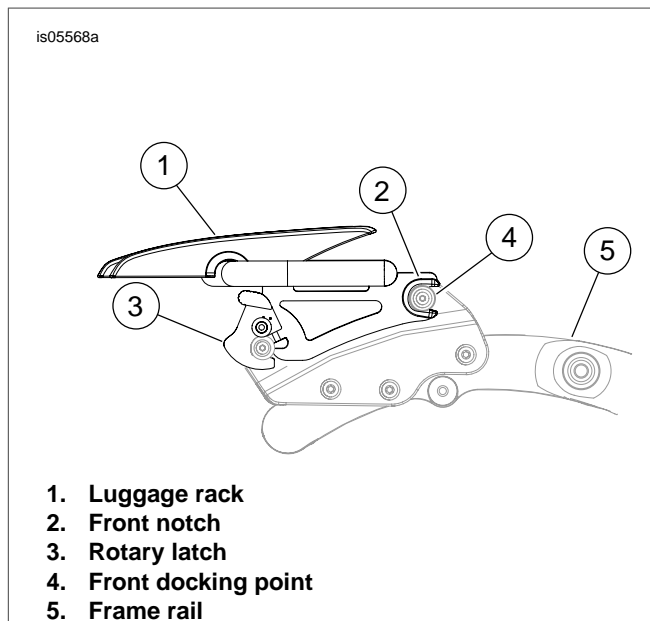


Figure 1. Stealth Luggage Rack

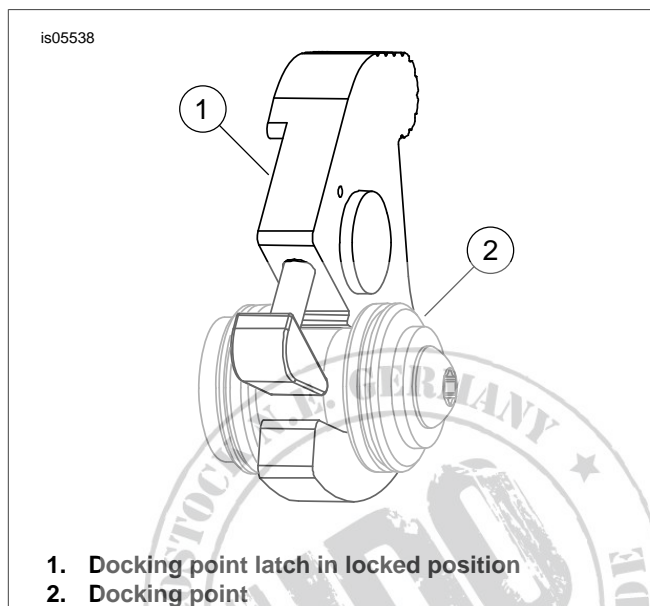


Figure 2. Latch and Docking Point

#### NOTE

You must hear a **CLICK** to verify that the rotary latch is completely in engaged.

The docking points must be fully engaged. See Figures 1 and 2 for correct engagement. If docking points are not fully engaged it could shift position or come loose during operation.

**Luggage Rack capacity is 10 lbs.**

## ⚠ WARNING

Do not exceed luggage rack weight capacity. Too much weight can cause loss of control, which could result in death or serious injury. (00373a)

5. To remove the luggage rack, press the release button on each side and push the rotary latch levers back. Carefully lift the rear of the side plates up and pull the side plate notches out of the forward docking points.

## SERVICE PARTS

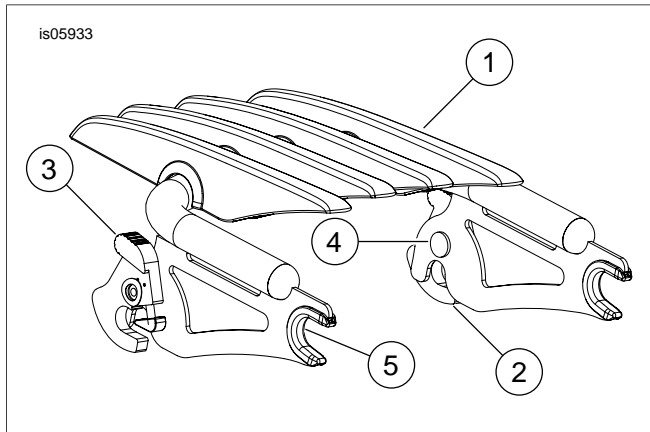


Figure 3. Service Parts: Detachable Stealth Luggage Rack

Table 1. Service Parts

Item	Description (Quantity)	Part Number
1	Detachable stealth rack, chrome Detachable stealth rack, gloss black	Not Sold Separately Not Sold Separately
2	Rotary latch assembly, left	53509-95
3	Rotary latch assembly, right	53508-95
4	Splined stud (2)	Not Sold Separately
5	Docking point bushing (2)	52682-09
6	Label, (not shown)	Not Sold Separately
7	Wave washer (not shown)	6828
8	Flat washer, stainless steel (not shown)	6827
9	Button head screw (not shown)	2957

