



INSTRUCTIONS

-J01283

REV. 1-30-01

Kit Number 53532-02

XL DOCKING HARDWARE/DIRECTIONAL RELOCATION KIT

General

This docking hardware kit is designed for installation on all 2002 and later XL model motorcycles (except 1200 Sport).

NOTE

This kit is designed to be used with directional relocation components present in Sportster Leather Saddlebag Kits, 90598-96B and 90342-98A.

See Service Parts Illustration for kit contents.

Installation

1. See Service Parts Illustration. Follow directions supplied with saddlebags to relocate rear turn signals but also use the following exceptions to install the parts contained in this kit:

- Use turn signal studs (4) in place of hex bolts supplied with saddlebags.
- On each side, insert relocation pad plate (3), saddlebag mount spacer (12), rear docking point (2), and docking point spacer (11) between relocation pad (supplied with saddlebags) and fender support cover as shown.

- Use longer capscrews (5) and (6) in place of hex bolts supplied with saddlebags.
 - The turn signal wires should be routed under the fender support cover back to the connectors they were removed from following the directions supplied with saddlebags.
 - Before mounting saddlebag supports, remove buttonhead screw from upper stock mount and proceed to Step 2.
2. Mount front docking points with buttonhead screws (9) and locknuts (1) as shown in Service Parts illustration. Tighten locknuts to 8-10 ft-lbs (11-14 Nm).
 3. • See Service Parts Illustration. Install saddlebag support according to directions supplied in saddlebag kit, making sure to use the spacer (7) and capscrew (6) supplied in this kit.



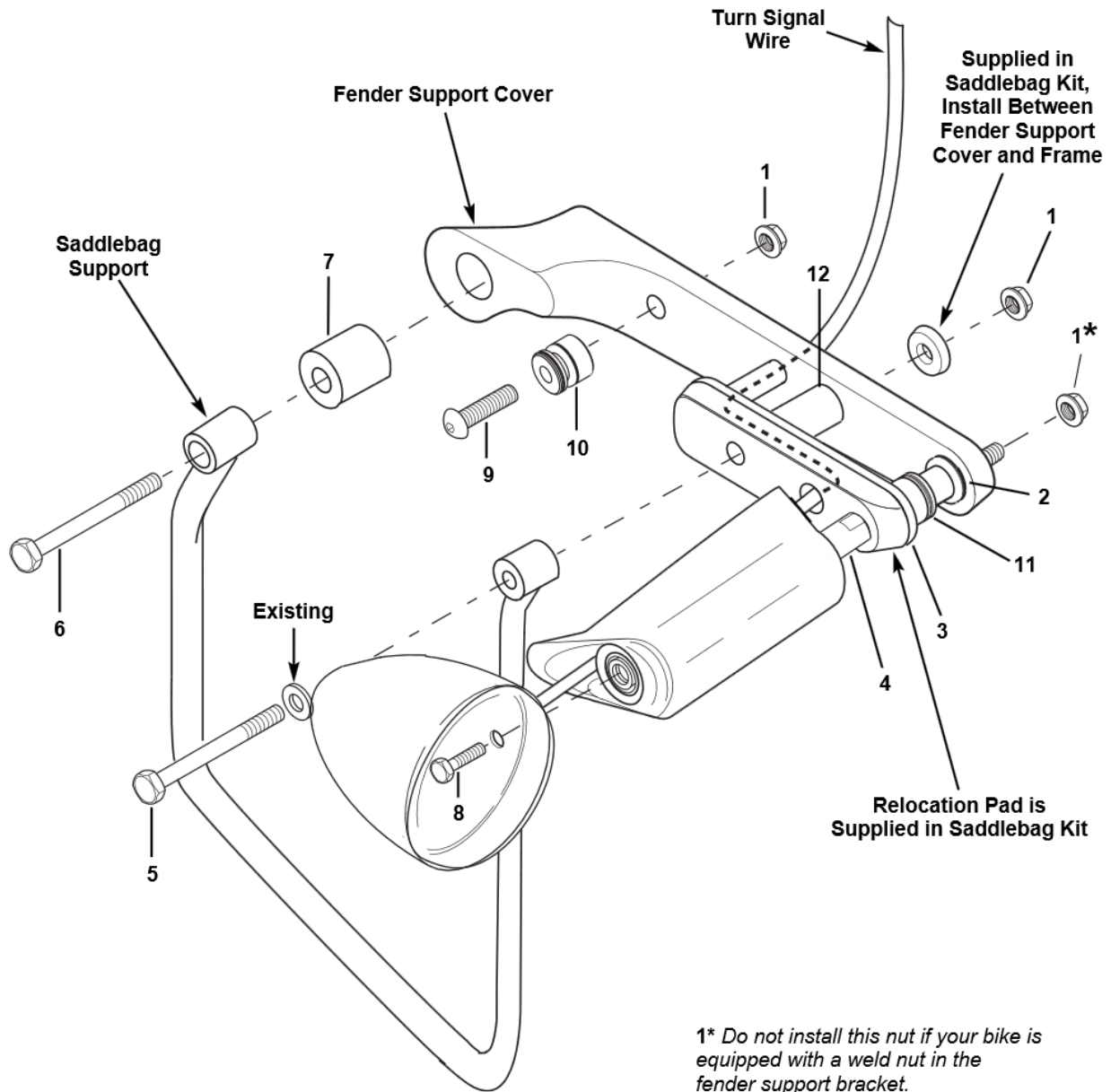
Service Parts

Part No. 53532-02

Date 1/01

XL Docking Hardware/Directional Relocation Kit

i03498.eps



1* Do not install this nut if your bike is equipped with a weld nut in the fender support bracket.

Item	Description	Part Number	Item	Description	Part Number
1	Locknuts (6), 5/16-18	7531	7	Spacers (2)	53847-00
2	Rear docking points (2)	53686-96A	8	Capscrew (2) 1/4-20 x 3/4 inch	3787
3	Relocation pad plates (2)	59681-98	9	Capscrew (2), buttonhead, 5/16-18 x 2-1/4 inch	4184
4	Turn signal studs (2)	53661-02	10	Front docking points (2)	53685-96
5	Capscrews (2), 5/16-18 x 4 inch	4100HW	11	Docking point spacers (2)	53775-98
6	Capscrews (2) 1/2-13 x 3 3/4 inch	3829	12	Saddlebag mount spacers (2)	53776-98