



# INSTRUCTIONS

-J02128

REV. 2005-05-27

## VRSC ACCESSORY SEATS AND PILLIONS

### GENERAL

#### Kit Numbers

51584-01, 51588-05, 51594-05, 51595-05, 52023-01A, 52024-01, 52028-02, 52036-01, 53432-02, 52927-05, 51598-05, 51644-06, 51647-06, and 51648-06

#### Models

These kits are designed to fit 2002 and later VRSC model motorcycles, except VRSCR models.

#### Additional Parts Required

**Kit Numbers 51584-01, 52028-02, 52036-01, 53432-02 and 52927-05 are Seat and Pillion (passenger seat) combinations.** The Pillion in kit number 53432-02 (Sundowner) and 52927-05 (Tallboy) also requires the use of Fender Base Plate Kit 51120-01, which is sold separately.

**Kit 52024-01 is a Reach Seat only,** and requires the use of either the stock pillion or Touring Pillion 52023-01A.

**Kits 52023-01A, 51588-05 and 51644-06 are Touring Pillions only** and are intended to be used with either the stock seat or Reach Seat 52024-01, and also requires installation of Fender Base Plate Kit 51120-01, which is sold separately.

**Kit 51598-05 is a Touring Pillion** and requires the use of Fender Base Plate Kit 51120-01 or One-Piece Luggage Rack 51209-05 or 51210-05.

**Kits 51594-05 and 51595-05** are pillion and seat kits that are intended to be used together.

**Kits 51647-06 and 51648-06** are pillion and seat kits that are intended to be used together.

### ⚠ WARNING

The rider's safety depends upon the correct installation of this kit. Use the appropriate service manual procedures. If the procedure is not within your capabilities or you do not have the correct tools, have a Harley-Davidson dealer perform the installation. Improper installation of this kit could result in death or serious injury. (00333a)

#### NOTE

This instruction sheet references Service Manual information. A Service Manual for your model motorcycle is required for this installation and is available from a Harley-Davidson Dealer.

#### Kit Contents

See Figure 4 and Table 1.

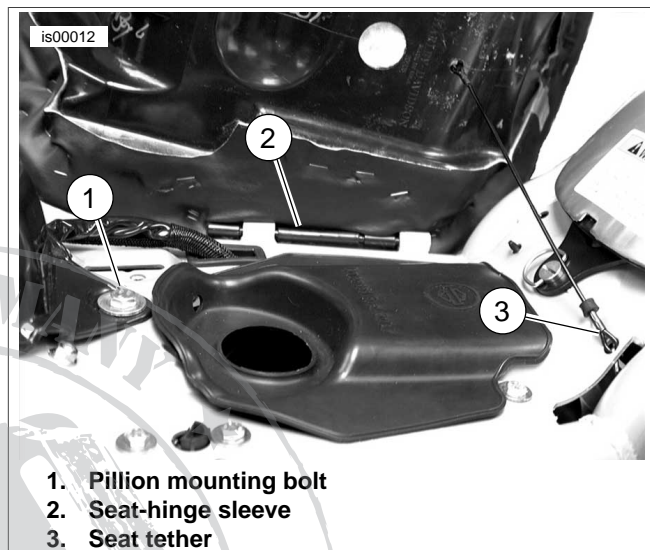


Figure 1. Seat and Pillion Fastener Points

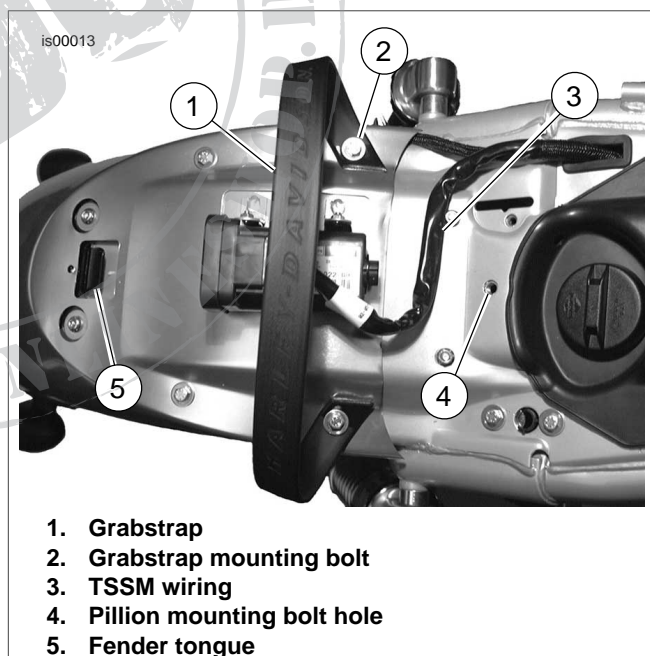


Figure 2. Pillion and Grabstrap Fastener Points

### INSTALLATION

**Installing Seat and Pillion Kits: 51584-01, 52028-02, 52036-01, 53432-02, or 52927-05**

#### NOTE

Proper installation of **53432-02 (Sundowner)** and **52927-05 (Tallboy)** requires installation of Fender Base Plate Kit 51120-01.

1. Refer to the appropriate Service Manual and remove the stock seat and pillion.
2. See Figure 2. Remove the two mounting bolts (2) from the passenger grabstrap (1). Save the bolts for re-installation.

**NOTE**

The grabstrap must loop toward the rear. Check that the "Harley-Davidson" text on the grabstrap can be read from the front of the vehicle.

3. See Figure 2. Install stock grabstrap bolt, and one end of grabstrap as shown. While holding the grabstrap end parallel to the formed line of the fender, tighten the bolt to 8-12 Nm (71-106 in-lb). Repeat for opposite end of grabstrap.

**NOTES**

The new pillions included in Kits 52028-02 (Custom), 52036-02 (Badlander) and 51584-01 (Leather Badlander) are installed from front-to-back.

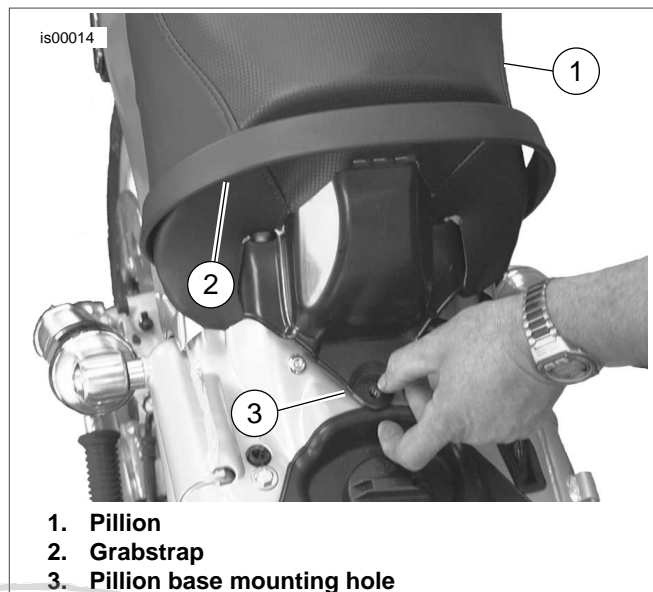
The pillion included in Kits 53432-02 (Sundowner) and 52927-05 (Tallboy) must be installed through the grabstrap from back-to-front.

To install the Sundowner or Tallboy Pillion on a motorcycle having a sissybar upright installed on Fender Base Plate Kit 51120-01, remove the upright before installing the pillion. Reinstall the upright after the Sundowner Pillion is installed.

For kit numbers 52028-02 (Custom), 52036-01 (Vinyl Badlander) and 51584-01 (Leather Badlander) Seat Kits, be aware of the following:

The 2003 Model Year 100th Anniversary VRSCA vehicle with two-tone sterling silver and vivid black paint has protective tape covering the rear under-the-seat area of the airbox cover. For the seats listed above, it will be necessary for cosmetic reasons, to carefully remove the protective tape and reapply it so it is in the correct position for these shorter-nose seats. Some trimming of the lower portion of the protective tape may be necessary to eliminate interference with the airbox cover latch. If necessary, reorder protective tape (48403-03).

4. Install new pillion into position through grabstrap. Prevent pinching TSSM control wiring by routing the cable through the channel on the underside of the pillion (see Figure 2) and away from the pillion mounting bolt. Pinched wiring may damage the TSSM system.



**Figure 3. Pillion Base Mounting Hole**

5. See Figure 3. Push the pillion (1) forward through the grabstrap (2) until the pillion mounting hole is approximately 25 mm (1 in.) forward of the hole (3) in the frame.
6. See Figure 2. Push down on the pillion and slide the pillion toward the rear to engage the pillion slot with the fender tongue (5). Push rearward until the pillion mounting holes align.

**WARNING**

After installing pillion, pull upward to be sure it is locked in position. While riding, a loose pillion can shift causing loss of control, which could result in death or serious injury. (00387a)

7. Install original pillion mounting bolt. Tighten bolt to 11-14 Nm (97-124 in-lb).
8. Re-install the sissybar upright, if removed earlier.
9. Position the seat (as if opened) onto the frame. Slide the seat forward to insert the seat-hinge pins into the bushings on the frame.
10. See Figure 1. Clip the plastic seat-hinge sleeve (2) over the seat hinge.
11. See Figure 1. Insert the seat tether (3) into the hole in the motorcycle frame.
12. Refer to the applicable Owner's Manual and close the seat.

**Installing Seat Kits: 51595-05, 52024-01, or 51647-06**

**Kit 51595-05** requires the use of pillion kit 51594-05.

**Kit 51647-06** requires the use of pillion kit 51648-06.

**Kit 52024-01** requires the use of either the stock pillion or Touring Pillion 52023-01A.

1. Refer to the appropriate Service Manual and remove the stock seat.

2. For Kits 51595-05 and 51647-06 seat installation only, install the grabstrap as follows:
  - a. See Figure 2. Remove the two mounting bolts (2) from the passenger grabstrap (1). Save the bolts for re-installation.
  - b. See Figure 2. Install stock grabstrap bolt, and one end of grabstrap as shown. While holding the grabstrap end parallel to the formed line of the fender, tighten the bolt to 8-12 Nm (71-106 **in-lb**). Repeat for opposite end of grabstrap.
3. Position the seat (as if opened) onto the frame. Slide the seat forward to insert the seat-hinge pins into the bushings on the frame.
4. See Figure 1. Clip the plastic seat-hinge sleeve (2) over the seat hinge.
5. See Figure 1. Insert the seat tether (3) into the hole in the motorcycle frame.
6. Refer to the applicable Owner's Manual and close the seat.

**Installing Pillion Kits: 51588-05, 51594-05, 52023-01A, 51648-06, or 51644-06.**

**Touring Pillions 51588-05, 52023-01A, 51644-06** are intended for use with either the stock seat or Reach Seat 52024-01. Fender Base Plate Kit 51120-01 must also be installed.

**VRSCSE Pillion 51594-05** is intended to be installed with seat kit 51595-05.

**VRSCSE Pillion 51598-05** is intended to be installed on models with Fender Base Plate Kit 51120-01 or One-Piece Luggage Racks 51209-05 or 51210-05.

**VRSCSE Pillion 51648-06** is intended to be installed with seat kit 51647-06.

**NOTE**

*To ease pillion installation, refer to the appropriate Service Manual and remove the rider seat from the motorcycle.*

1. Refer to the appropriate Service Manual and remove the stock pillion.

**NOTE**

*To install the Touring Pillion on a motorcycle having a sissybar upright installed on Fender Base Plate Kit 51120-01, remove the upright before installing the pillion. Reinstall the upright after the Touring Pillion is installed.*

2. See Figure 3. Insert the Touring Pillion (1), from back to front, into position through the grabstrap.

**NOTE**

*To ease installation, wiggle the pillion slightly from side to side while applying downward and rearward pressure on the center of the pillion.*

3. See Figure 3. Push the pillion (1) forward through the grabstrap (2) until the pillion mounting hole is approximately 25 mm (1 in.) forward of the hole (3) in the frame.

4. See Figure 2. Push down on the pillion and slide the pillion toward the rear to engage the pillion slot with the fender tongue (5). Push rearward until the pillion mounting holes align.

**WARNING**

**After installing pillion, pull upward to be sure it is locked in position. While riding, a loose pillion can shift causing loss of control, which could result in death or serious injury. (00387a)**

5. Install original pillion mounting bolt. Tighten bolt to 11-14 Nm (97-124 **in-lb**).
6. Re-install the sissybar upright if removed earlier.

## SERVICE PARTS

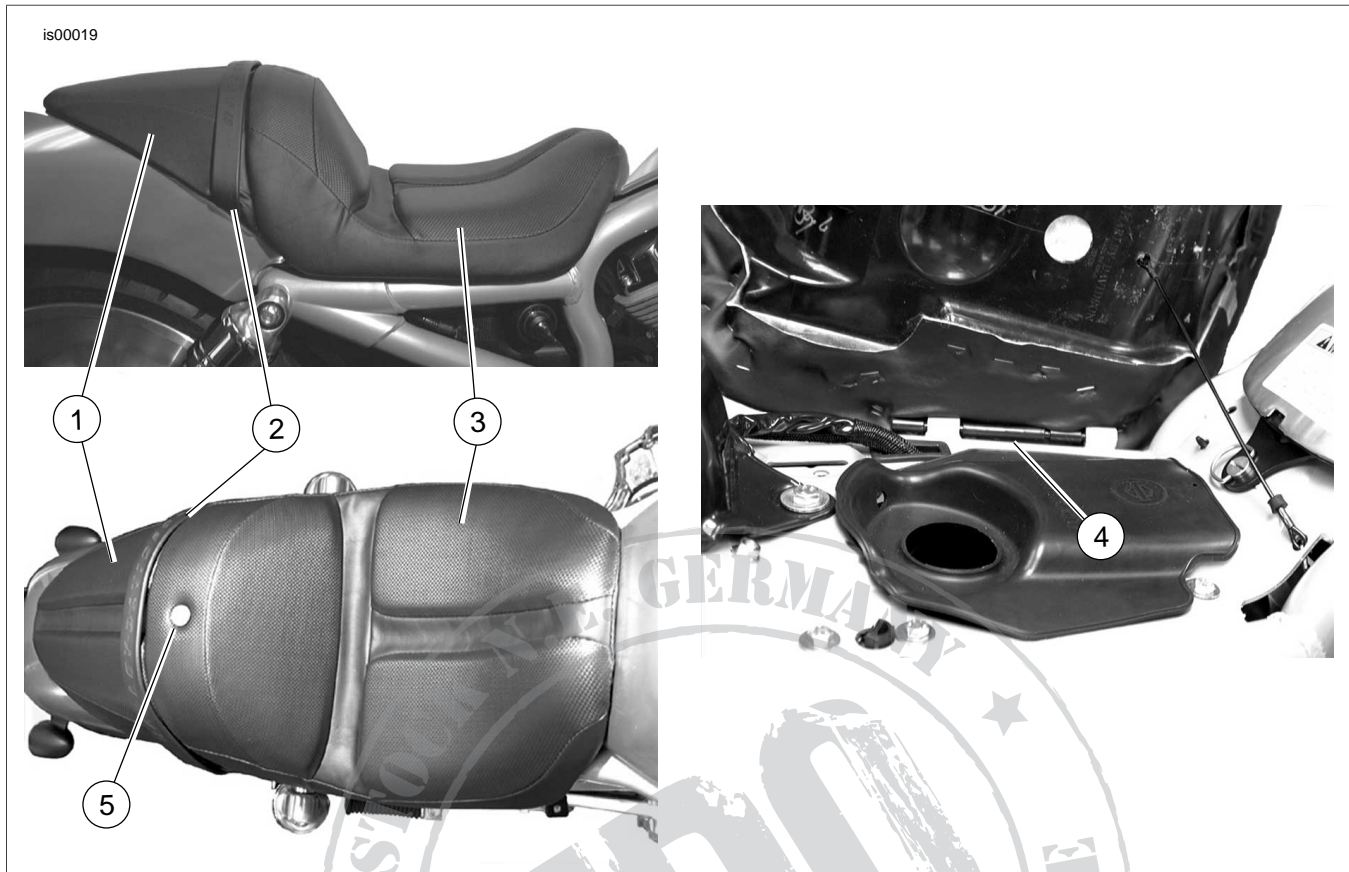


Figure 4. VRSC Accessory Seats and Pillions

Table 1. Service Parts

| Kit   | Item | Description (Quantity)          | Part Number         |
|---|------|---------------------------------|---------------------|
| Kit 51584-01<br>Leather Badlander<br>Seat and Pillion | 1    | Leather Badlander pillion       | 51586-01            |
|   | 2    | Grabstrap                       | 52177-02            |
|   | 3    | Leather Badlander seat          | 51585-01            |
|   | 4    | Seat-hinge sleeve               | 52041-82            |
|   | 5    | Button repair kit (service kit) | 51606-01            |
|   | 6    | Leather care kit (not shown)    | Not Sold Separately |
| Kit 51588-05<br>Touring Pillion                       | 1    | Touring pillion                 | Not Sold Separately |
| Kit 51594-05<br>VRSCSE Pillion                        | 1    | VRSCSE pillion                  | Not Sold Separately |
|   | 2    | Grabstrap                       | 69142-05            |
| Kit 51595-05<br>VRSCSE Seat                           | 3    | VRSCSE seat                     | Not Sold Separately |
|   | 4    | Seat-hinge sleeve               | 52041-82            |
| Kit 52927-05<br>Tallboy Seat                          | 1    | Tallboy pillion                 | 52929-05            |
|   | 2    | Grabstrap                       | 52031-05            |
|   | 3    | Tallboy seat                    | 52928-05            |
| Kit 52023-01A<br>Touring Pillion                      | 1    | Touring pillion                 | Not Sold Separately |
| Kit 51598-05<br>VRSCSE Touring<br>Pillion             | 1    | Touring pillion                 | Not Sold Separately |

**Table 1. Service Parts**

| <b>Kit</b>                                       | <b>Item</b> | <b>Description (Quantity)</b>   | <b>Part Number</b>  |
|--|-------------|---------------------------------|---------------------|
| Kit 52024-01<br>Reach Seat                       | 3           | Reach Seat                      | Not Sold Separately |
|  | 4           | Seat-hinge sleeve               | 52041-82            |
| Kit 52028-02<br>Custom Seat and Pillion          | 1           | Custom pillion                  | 52144-02            |
|  | 2           | Grabstrap                       | 52177-02            |
|  | 3           | Custom seat                     | 52143-02            |
|  | 4           | Seat-hinge sleeve               | 52041-82            |
|  | 5           | Button repair kit (service kit) | 51606-01            |
| Kit 52036-01<br>Vinyl Badlander Seat and Pillion | 1           | Vinyl Badlander pillion         | 52100-01            |
|  | 2           | Grabstrap                       | 52177-02            |
|  | 3           | Vinyl Badlander seat            | 52043-01            |
|  | 4           | Seat-hinge sleeve               | 52041-82            |
| Kit 53432-02<br>Sundowner Seat and Pillion       | 1           | Sundowner pillion               | 53476-02            |
|  | 2           | Grabstrap                       | 53525-02            |
|  | 3           | Sundowner seat                  | 53451-02            |
|  | 4           | Seat-hinge sleeve               | 52041-82            |
| Kit 51644-06<br>VRSCD Touring Pillion            | 1           | Touring pillion                 | Not Sold Separately |
| Kit 51647-06<br>VRSCSE2 Seat                     | 3           | VRSCSE2 seat                    | Not Sold Separately |
|  | 4           | Seat hinge sleeve               | 52041-82            |
| Kit 51648-06<br>VRSCSE2 Pillion                  | 1           | VRSCSE2 pillion                 | Not Sold Separately |
|  | 2           | Grabstrap                       | 69142-05            |

