



# INSTRUCTIONS

-J01470

REV. 2005-05-19

## TOURING LAYBACK LICENSE PLATE BRACKET

### GENERAL

#### Kit Number

53385-00

#### Models

This kit is designed to fit all 1999 and later Road King, Road Glide and Electra Glide standard models having license plates up to 7 1/4 x 4 1/4 inches. Does not fit with Detachable Tour-Pak Rack part number 53276-04.

#### Kit Contents

See Figure 1 and Table 1.

### INSTALLATION

1. Remove original equipment bolts holding license plate bracket in place. Save hardware.
2. Install new Layback License Plate Bracket using hardware saved in Step 1.

3. Tighten bolts to 19 ft-lbs (25.8 Nm).
4. From the back side of the license plate bracket, thread one button head screw (2) through upper hole of license plate bracket (1), then through license plate.
5. Place flat washer (3) over screw (1) on front side of license plate and fasten with acorn nut (4). Finger tighten.
6. Repeat steps 4 and 5 for each of the remaining holes in the license plate bracket.
7. Tighten all license plate mounting fasteners securely.

#### NOTE

Depending on hole spacing of license plate, it may be necessary to secure the license plate with only the two bottom fasteners.

### SERVICE PARTS

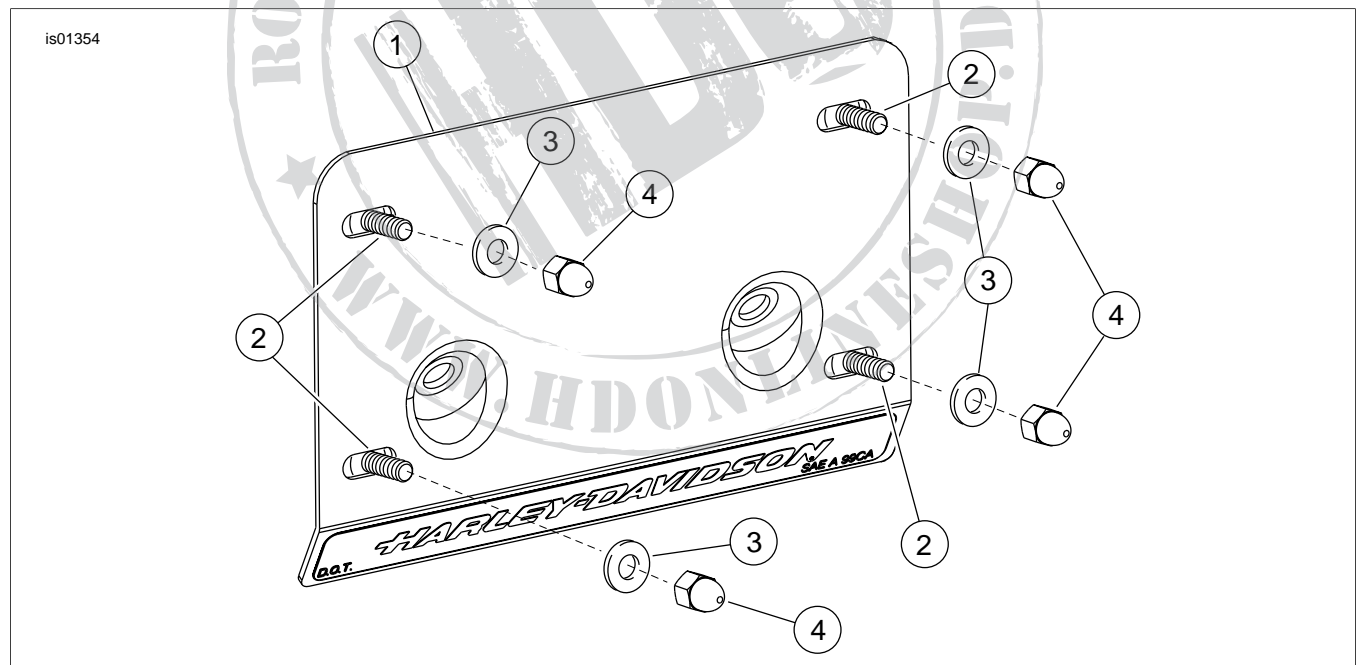


Figure 1. Service Parts: Touring Layback License Plate Bracket

Table 1. Service Parts: Touring Layback License Plate Bracket

Item	Description (Quantity)	Part Number
1	Layback license plate bracket	Not Sold Separately
2	Screw, hex, button head (4)	94407-94T
3	Washer, flat, chrome, 1/4 (4)	94065-90T
4	Acorn nut, 1/4-20 (4)	94004-90T