



# INSTRUCTIONS

-J03631

REV. 2007-05-02

## TOUR-PAK KIT

### GENERAL

#### Kit Number

53018-04A, 53055-05, 53057-07, 53147-98B, 53690-06, 53092-08

#### Models

For model fitment information, please see the P&A Retail Catalog or the Parts and Accessories section of [www.harley-davidson.com](http://www.harley-davidson.com) (English only).

#### Additional Kits Required

Kit 53057-07 requires separate purchase of Leather TOUR-PAK® Lock kit 54360-05.

International models may require separate purchase of License Plate Relocation Kit 60095-00A, available from any Harley-Davidson Dealer.

#### Kit Contents

See Figure 3 and Table 2 for the kit contents.

#### NOTE

A Service Manual for your motorcycle is available from your Harley-Davidson Dealer.

### WARNING

**Do not exceed tour-pak weight capacity. Too much weight can cause loss of control, which could result in death or serious injury. (00401b)**

#### NOTE

The luggage rack weight capacity is 25 lb (11.34 kg).

### INSTALLATION

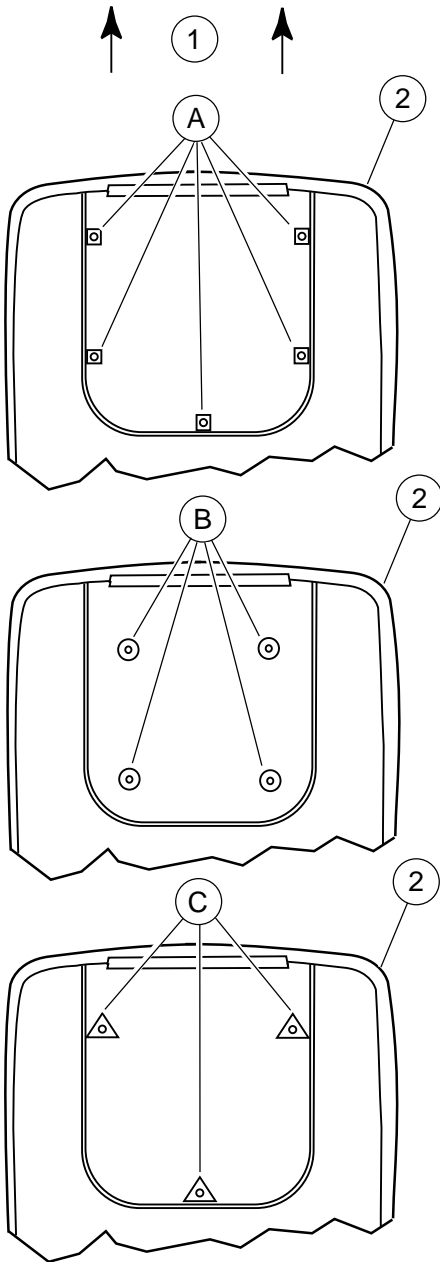
1. Remove the rubber mat from the bottom of the Tour-Pak.
2. See Figure 1 and Table 1 to determine the proper hole configuration to attach the Tour-Pak to your luggage rack. Holes will be drilled as explained in Step 3 in the hole location for your luggage rack.

Table 1. Luggage Rack and Hole Configurations

Luggage Rack	Hole Configuration
Stock 1997	C (3 holes)
Detachable luggage rack 53107-96	B (4 holes)
Luggage rack 53118-97A and luggage rack 53118-98	A (5 holes)
Stock 1998 and later racks	A (5 holes)
Detachable Tour-Pak rack 53276-04	A (5 holes)
Solo detachable Tour-Pak rack 53655-04	B (4 holes)
Detachable Tour-Pak rack 53066-00B	B (4 holes)
Solo detachable Tour-Pak rack 53559-04A	B (4 holes)
Solo detachable Tour-Pak rack 53260-02	A (5 holes)



is00163



- 1. Front of motorcycle
- 2. Bottom view of Tour-Pak interior (rubber mat removed)

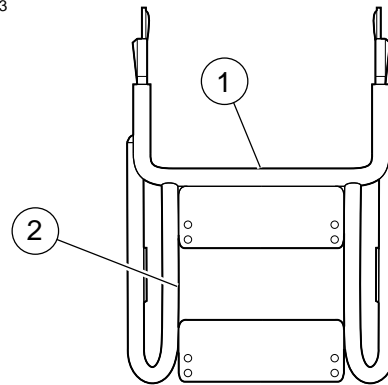
Figure 1. Hole configurations for Tour-Pak attachment

**NOTE**

Drilling holes in Tour-Pak without wood underneath each hole site may result in the leather becoming damaged during the drilling process.

3. Place blocks of wood underneath the Tour-Pak where the holes will be drilled to prevent damage to the leather while drilling. Use the pre-drilled holes in the metal base as a guide and carefully drill the holes through the leather in the proper location using a 11/32 inch drill bit.
4. See Figure 2. **For detachable luggage racks (53107-96, 53066-00B and 53276-04):** Install black cover tube to the front bar (1) of the luggage rack, as shown. This tube is used to provide a cleaner look. The black cover tube is not for use with other luggage racks.
5. Attach Tour-Pak to rack using the mounting screws provided in the Luggage Rack kit. Put bolt through from inside of Tour-Pak. Tighten screws to specifications found in the Luggage Rack kit.
6. Place the black rubber mat on the bottom of the Tour-Pak.
7. If luggage rack was removed, reattach to motorcycle according to kit instructions or Service Manual instructions.

is00153

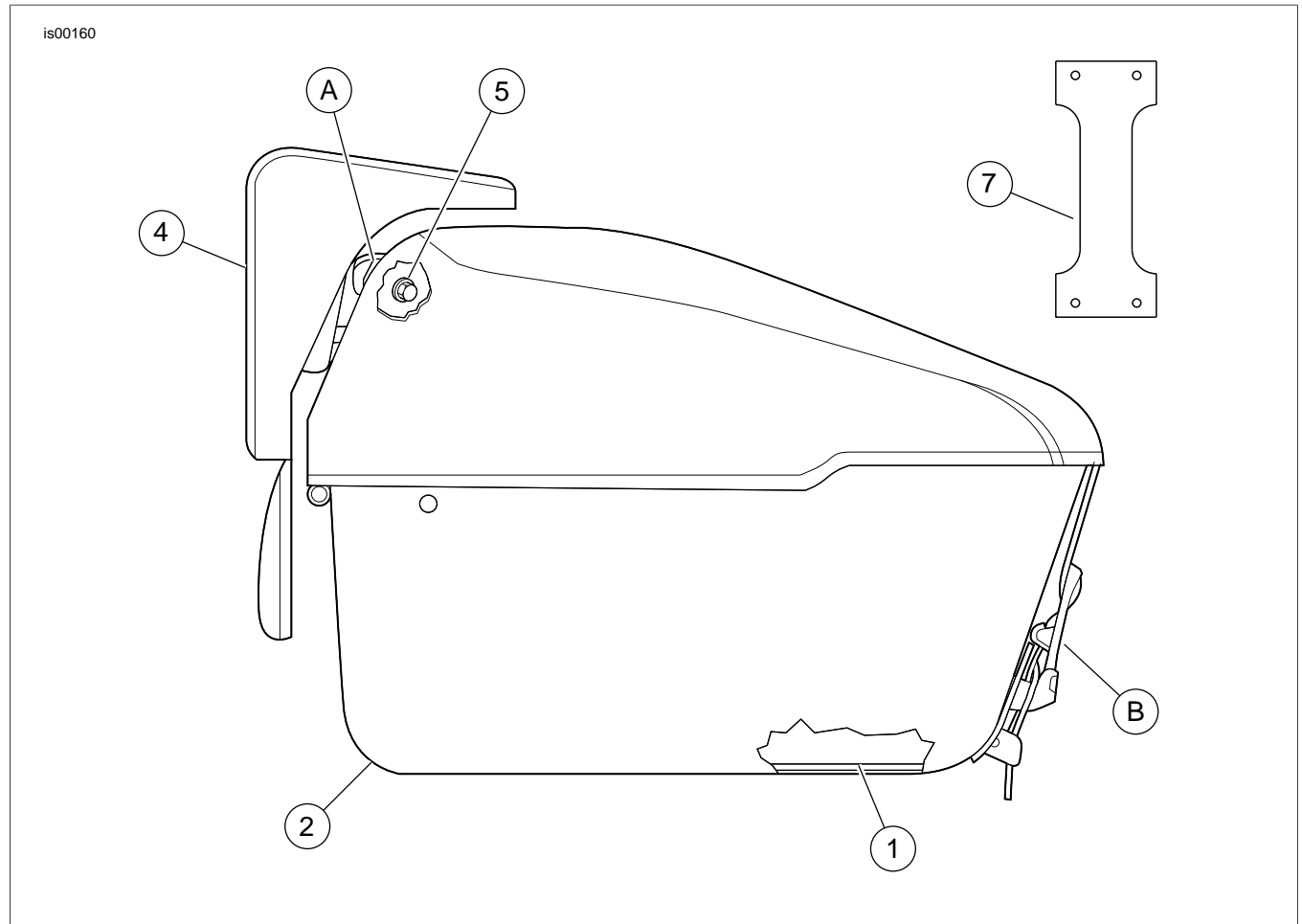


- 1. Front bar
- 2. Top view of detachable rack

Figure 2. Detachable luggage rack (typical)



## SERVICE PARTS



**Figure 3. Service Parts: Leather Tour-Pak (Typical)**

**Table 2. Service Parts: Leather Tour-Pak**

Item	Description (Quantity)	Part Number
1	Tour-Pak mat	53783-98
2	Tour-Pak	Not Sold Separately
3	Cover, tube (not shown - for use with Detachable Luggage Rack kits (53107-96, 53276-04, and 53066-00B).	53784-98
4	Backrest pad (pre-installed) (use with Kit Number 53147-98B, 53690-06, 53092-08 and 53057-07)	52926-98
	Backrest pad (pre-installed) (use with Kit Number 53018-04A)	53019-04
	Backrest pad (pre-installed) (use with Kit Number 53055-05)	51714-05
5	Flange nuts (6) (pre-installed inside Tour-Pak lid)	7716
6	Leather care kit (not shown) (not included with Kit 53055-05 or 53690-06)	Not Sold Separately
7	Leather Straps (2) (use with Kit number 53057-07) Install per the instruction sheet included with the Tour-pak lock kit.	Not Sold Separately
The following Service Kits are available:		
A	Isolator kit (3) (pre-installed, located behind backrest pad)	52192-86A
B	Buckle Assembly (use with Kit 53147-98B, 53092-08 and 53018-04A)	90425-98
	Buckle Assembly (use with Kit 53055-05 and 53690-06)	53137-05
C	Concho Kit (not shown) (Use with Kit 53147-98B)	58633-98
	Concho Kit (not shown) (Use with Kit 53055-05)	53160-06