



INSTRUCTIONS

-J03631

REV. 2007-05-02

TOUR-PAK KIT

GENERAL

Kit Number

53018-04A, 53055-05, 53057-07, 53147-98B, 53690-06, 53092-08

Models

For model fitment information, please see the P&A Retail Catalog or the Parts and Accessories section of www.harley-davidson.com (English only).

Additional Kits Required

Kit 53057-07 requires separate purchase of Leather TOUR-PAK® Lock kit 54360-05.

International models may require separate purchase of License Plate Relocation Kit 60095-00A, available from any Harley-Davidson Dealer.

Kit Contents

See Figure 3 and Table 2 for the kit contents.

NOTE

A Service Manual for your motorcycle is available from your Harley-Davidson Dealer.

WARNING

Do not exceed tour-pak weight capacity. Too much weight can cause loss of control, which could result in death or serious injury. (00401b)

NOTE

The luggage rack weight capacity is 25 lb (11.34 kg).

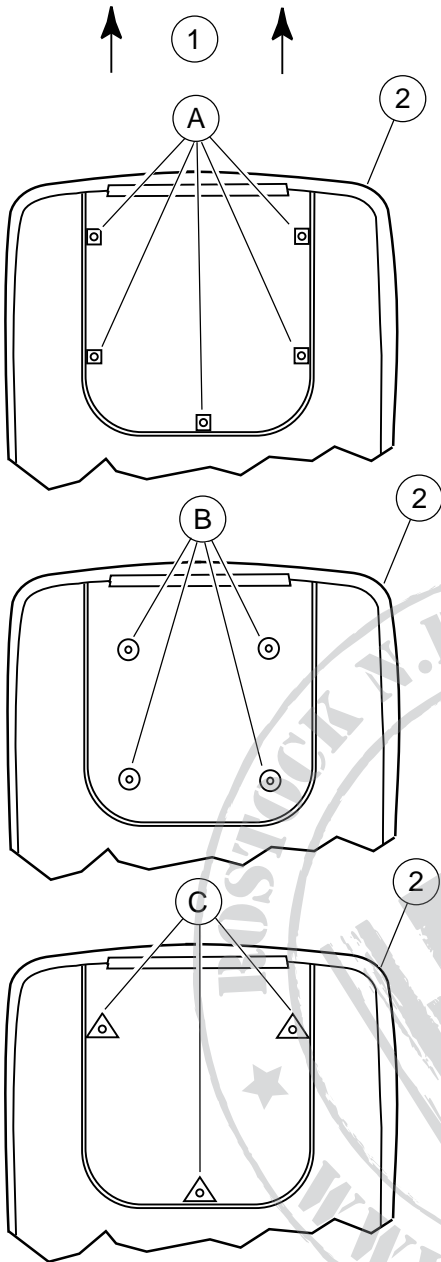
INSTALLATION

1. Remove the rubber mat from the bottom of the Tour-Pak.
2. See Figure 1 and Table 1 to determine the proper hole configuration to attach the Tour-Pak to your luggage rack. Holes will be drilled as explained in Step 3 in the hole location for your luggage rack.

Table 1. Luggage Rack and Hole Configurations

Luggage Rack	Hole Configuration
Stock 1997	C (3 holes)
Detachable luggage rack 53107-96	B (4 holes)
Luggage rack 53118-97A and luggage rack 53118-98	A (5 holes)
Stock 1998 and later racks	A (5 holes)
Detachable Tour-Pak rack 53276-04	A (5 holes)
Solo detachable Tour-Pak rack 53655-04	B (4 holes)
Detachable Tour-Pak rack 53066-00B	B (4 holes)
Solo detachable Tour-Pak rack 53559-04A	B (4 holes)
Solo detachable Tour-Pak rack 53260-02	A (5 holes)

is00163



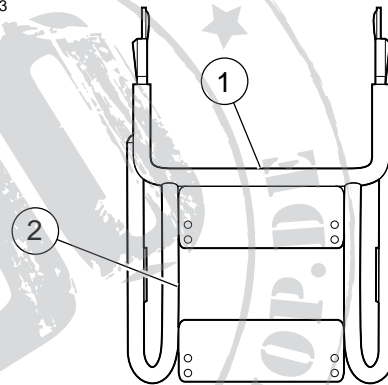
- 1. Front of motorcycle
- 2. Bottom view of Tour-Pak interior (rubber mat removed)

NOTE

Drilling holes in Tour-Pak without wood underneath each hole site may result in the leather becoming damaged during the drilling process.

- 3. Place blocks of wood underneath the Tour-Pak where the holes will be drilled to prevent damage to the leather while drilling. Use the pre-drilled holes in the metal base as a guide and carefully drill the holes through the leather in the proper location using a 11/32 inch drill bit.
- 4. See Figure 2. **For detachable luggage racks (53107-96, 53066-00B and 53276-04):** Install black cover tube to the front bar (1) of the luggage rack, as shown. This tube is used to provide a cleaner look. The black cover tube is not for use with other luggage racks.
- 5. Attach Tour-Pak to rack using the mounting screws provided in the Luggage Rack kit. Put bolt through from inside of Tour-Pak. Tighten screws to specifications found in the Luggage Rack kit.
- 6. Place the black rubber mat on the bottom of the Tour-Pak.
- 7. If luggage rack was removed, reattach to motorcycle according to kit instructions or Service Manual instructions.

is00153



- 1. Front bar
- 2. Top view of detachable rack

Figure 2. Detachable luggage rack (typical)

Figure 1. Hole configurations for Tour-Pak attachment

SERVICE PARTS

is00160

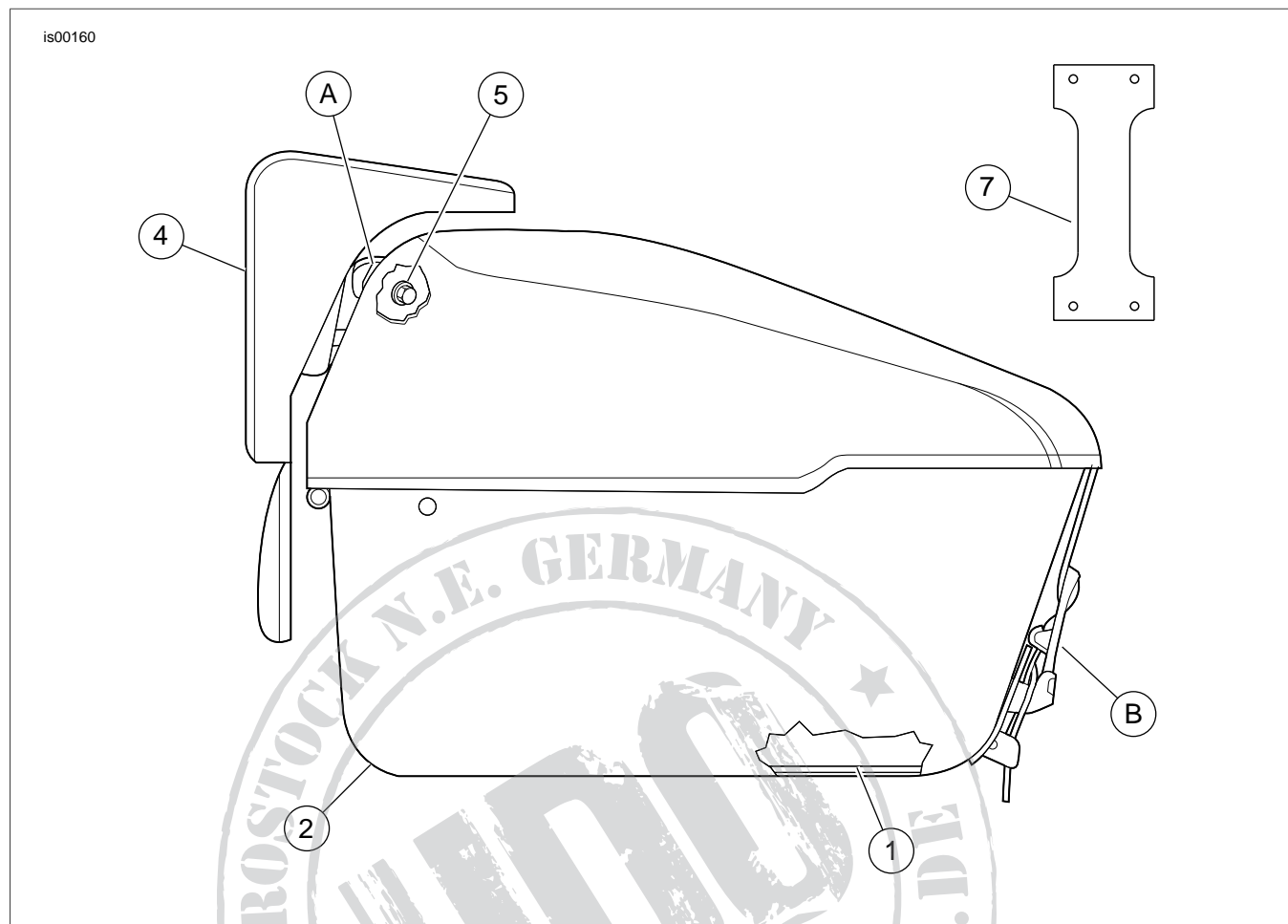


Figure 3. Service Parts: Leather Tour-Pak (Typical)

Table 2. Service Parts: Leather Tour-Pak

Item	Description (Quantity)	Part Number
1	Tour-Pak mat	53783-98
2	Tour-Pak	Not Sold Separately
3	Cover, tube (not shown - for use with Detachable Luggage Rack kits (53107-96, 53276-04, and 53066-00B).	53784-98
4	Backrest pad (pre-installed) (use with Kit Number 53147-98B, 53690-06, 53092-08 and 53057-07)	52926-98
	Backrest pad (pre-installed) (use with Kit Number 53018-04A)	53019-04
	Backrest pad (pre-installed) (use with Kit Number 53055-05)	51714-05
5	Flange nuts (6) (pre-installed inside Tour-Pak lid)	7716
6	Leather care kit (not shown) (not included with Kit 53055-05 or 53690-06)	Not Sold Separately
7	Leather Straps (2) (use with Kit number 53057-07) Install per the instruction sheet included with the Tour-pak lock kit.	Not Sold Separately
The following Service Kits are available:		
A	Isolator kit (3) (pre-installed, located behind backrest pad)	52192-86A
B	Buckle Assembly (use with Kit 53147-98B, 53092-08 and 53018-04A)	90425-98
	Buckle Assembly (use with Kit 53055-05 and 53690-06)	53137-05
C	Concho Kit (not shown) (Use with Kit 53147-98B)	58633-98
	Concho Kit (not shown) (Use with Kit 53055-05)	53160-06