



# INSTRUCTIONS

-J01851

REV. 2006-12-22

## DETACHABLE PASSENGER BACKREST LUGGAGE RACK KIT

### GENERAL

#### Kit Number

53011-98

#### Models

For model fitment information, please see the P&A Retail Catalog or the Parts and Accessories section of [www.harley-davidson.com](http://www.harley-davidson.com).

#### Additional Parts Required

In addition to the kit components, LOCTITE® 243 (blue) (Harley-Davidson Part Number 99642-97) is required and can be purchased at a Harley-Davidson dealer.

#### WARNING

The rider's safety depends upon the correct installation of this kit. If the procedure is not within your capabilities or you do not have the correct tools, have a Harley-Davidson dealer perform the installation. Improper installation of this kit could result in death or serious injury. (00308a)

#### NOTE

A Service Manual for your model motorcycle is available from a Harley-Davidson Dealer.

#### Kit Contents

See Figure 1 and Table 1.

#### NOTE

Due to additional loads from luggage rack and luggage, installation of reinforced support brackets are required prior to rack installation. For bikes with existing detachable passenger backrest, 2-bracket Service Kit Part Number 53877-00 is required. For new installations of passenger backrest and rack, required support brackets are included in backrest docking Kit Part Number 53450-97C.

#### WARNING

Improper loading of cargo or installation of accessories can affect motorcycle stability and handling, which could result in death or serious injury. (00099a)

- Keep cargo weight concentrated close to the motorcycle and as low as possible to minimize change in the center of gravity.
- Distribute weight evenly on both sides of the vehicle.
- Do not load bulky items too far behind the rider or add weight to the handlebars or front forks.
- Do not exceed 15 pounds (6.8 Kg) maximum load in each saddlebag.

#### NOTE

Maximum luggage rack weight capacity is ten pounds (4.5 Kg).

#### WARNING

Do not exceed luggage rack weight capacity. Too much weight can cause loss of control, which could result in death or serious injury. (00373a)

### INSTALLATION

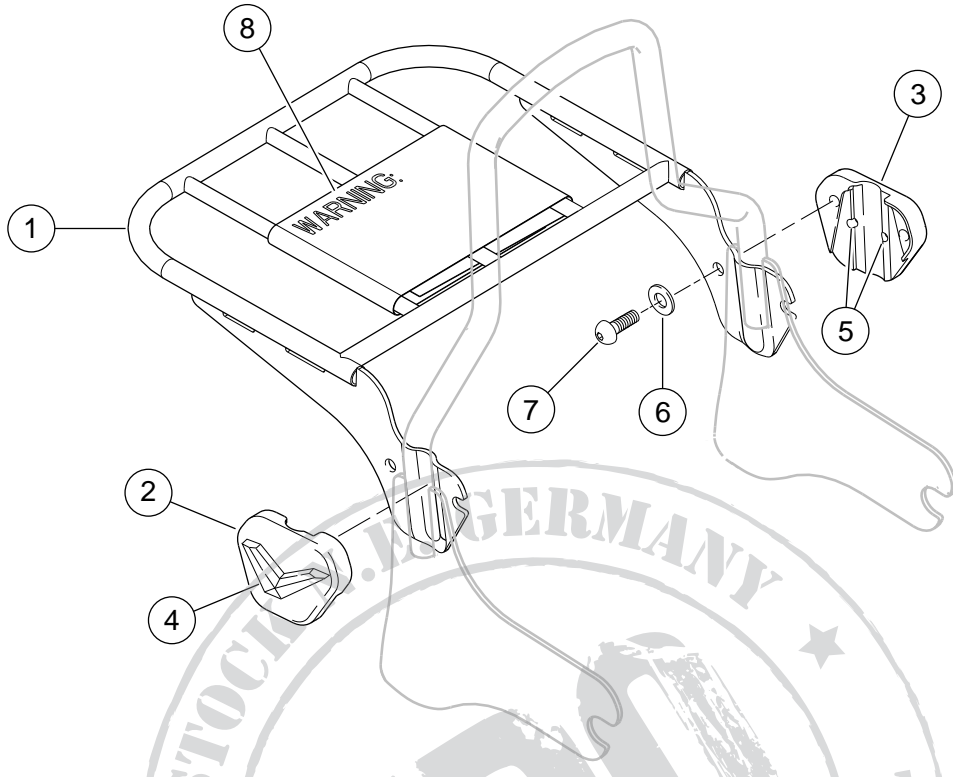
1. See Figure 1. If not already assembled in package, assemble V-logo onto each mounting bracket (2 and 3) using #4-40 thread-forming screws (5).
2. Position luggage rack between sideplates of detachable passenger backrest assembly.
3. Thread button head screws (7) through washers (6), then through holes in luggage rack support and passenger backrest sideplate and into mounting brackets (2 and 3). Apply LOCTITE 243 (Blue) to screws (7) before installation. Finger tighten.
4. Tighten button head screws to 19 ft-lbs (26 Nm) .

#### NOTE

The backrest shown in Figure 1 is not included in this kit and must be purchased separately.

# SERVICE PARTS

is04290



**Figure 1. Service Parts: Detachable Passenger Backrest Luggage Rack Kit**

**Table 1. Service Parts Table**

Item	Description (Quantity)	Part Number	Item	Description (Quantity)	Part Number
1	Passenger backrest rack kit	Not sold separately	5	Screw, #4-40 thread-forming, steel, zinc plated (4)	2711
2	Bracket, mounting, right side (includes items 4 and 5)	53046-00	6	Washer, chrome (4)	94066-90T
3	Bracket, mounting, left side (includes items 4 and 5)	53045-00	7	Button head screw, hex socket, chrome (4)	94392-92T
4	V-logo (2)	Not sold separately	8	Warning label	Not Sold Separately