



INSTRUCTIONS

-J05807

2016-02-22

DETACHABLE TOUR-PAK LUGGAGE CONVERSION KIT, 2014-LATER FL TOURING MODELS

GENERAL

Kit Numbers

53000291A, 53000567

Models

For model fitment information, see the P&A retail catalog or the Parts and Accessories section of www.harley-davidson.com (English only).

Installation Requirements

Models with CB require a CB Antenna Relocation Kit (Part No. 76000308).

Separate purchase and installation of more parts or accessories could be required for proper installation of this kit on your model motorcycle. See the P&A retail catalog or the Parts and Accessories section of www.harley-davidson.com (English only) for required parts or accessories.

▲ WARNING

The rider's safety depends upon the correct installation of this kit. Use the appropriate service manual procedures. If the procedure is not within your capabilities or you do not have the correct tools, have a Harley-Davidson dealer perform the installation. Improper installation of this kit could result in death or serious injury. (00333a)

NOTE

This instruction sheet refers to service manual information. A service manual for your year/model motorcycle is required for this installation. One is available from a Harley-Davidson dealer.

Kit Contents

See Figure 3 and Table 1.

PREPARATION

▲ WARNING

To prevent accidental vehicle start-up, which could cause death or serious injury, remove main fuse before proceeding. (00251b)

NOTE

- **WITH security siren:** With security fob present, turn ignition switch ON. See the service manual. Disarm security system. Turn ignition switch OFF. **IMMEDIATELY** remove the main fuse.
- **WITHOUT security siren:** See the service manual. Remove main fuse.

1. See the service manual. Remove seat. Retain all seat mounting hardware.
2. -Remove the saddlebags per service manual instructions.
3. Remove Tour-Pak[®]. See the service manual.
4. See the service manual. Remove Tour-Pak support.

INSTALLATION

1. See Figure 3. Install the Docking Hardware Kit (2) per the instructions in **that** kit.
2. Install the LED Saddlebag Run/Brake/Turn Lamp Kit (4) per the instructions in **that** kit.
3. See Figure 1. Install license plate bracket.
 - a. Remove screws (1).
 - b. Disconnect and remove tail lamp and lens assembly (2).
 - c. Note connector locations at tail lamp base (4) to ease installation.
 - d. Disconnect all tail lamp base connections.
 - e. Remove screw (3) and tail lamp base.
 - f. Install license plate bracket (5) in fender.
 - g. Route any wiring harnesses through the license plate bracket.
 - h. Install tail lamp base over license plate bracket. Secure with screw (3).
 - i. Install connectors to tail lamp base.
 - j. Connect tail lamp and lens assembly to tail lamp base. Install tail lamp and lens assembly to base and secure with screws (1).
4. See Figure 2. Relocate the radio antenna.
 - a. Unscrew the radio antenna mast from the antenna mast base. Set the mast aside for later installation.
 - b. Remove the original equipment (OE) inboard TORX head screw (1) and nut. Discard the screw.
 - c. Install antenna relocation bracket (2). Secure with screw (1) and previously removed nut. Tighten to 40.7–50.1 N·m (30–37 ft-lbs).
 - d. Install nut (4) onto antenna cable extension (3).



- e. Insert the antenna cable extension through the hole in the antenna relocation bracket.
 - f. Secure antenna cable extension with lockwasher (5) and nut (4). Place a wrench on the upper nut. Tighten the lower nut to 8 N·m (6 ft-lbs).
 - g. Install antenna mast base (joint assembly) (6) onto antenna cable extension.
 - h. Route the antenna cable forward along the saddlebag support bar into the rear of the seat pan area. Secure cable with cable straps. Allow slack in the cable at the antenna base to avoid kinking or binding at the connection.
 - i. Thread the antenna mast assembly securely onto the antenna mast base.
5. Install the Tour-Pak onto the Detachable Tour-Pak Rack (Part No. 53000221) following the instructions included in that kit.

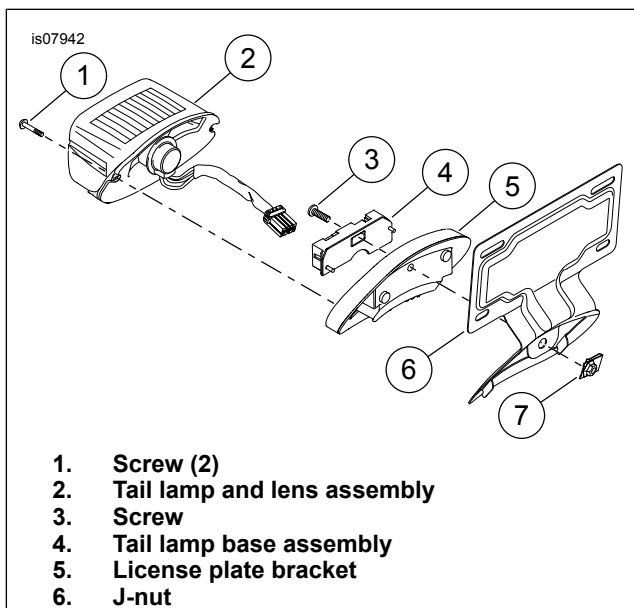


Figure 1. Install License Plate Bracket

1. Screw (2)
2. Tail lamp and lens assembly
3. Screw
4. Tail lamp base assembly
5. License plate bracket
6. J-nut

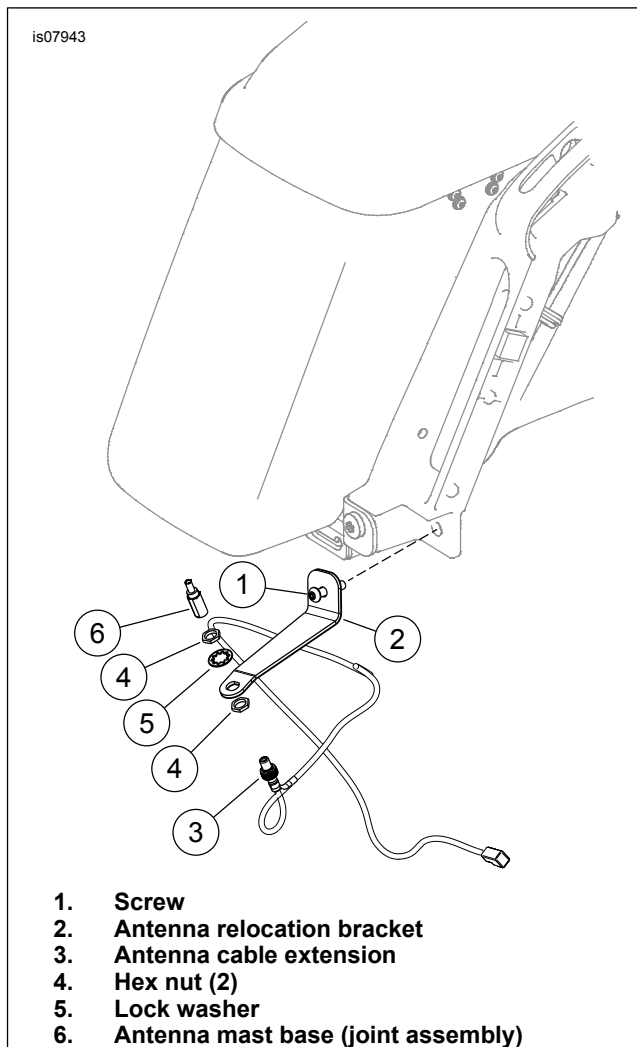


Figure 2. Antenna Relocation

1. Screw
2. Antenna relocation bracket
3. Antenna cable extension
4. Hex nut (2)
5. Lock washer
6. Antenna mast base (joint assembly)

COMPLETION

NOTE

To prevent possible damage to the sound system, verify that the ignition is OFF **before** installing the main fuse.

1. See the service manual. Install main fuse.
2. Test the radio for proper operation.

⚠ WARNING

After installing seat, pull upward on seat to be sure it is locked in position. While riding, a loose seat can shift causing loss of control, which could result in death or serious injury. (00070b)

3. See the service manual. Install seat.
4. Install left side cover.
5. See the service manual. Install saddlebags.
6. Install Tour-Pak following the instructions in the Detachable Tour-Pak Rack Kit (Part No. 53000221).

NOTE

When removing the Tour-Pak, the wire harness can be rolled up and tucked under seat.

SERVICE PARTS

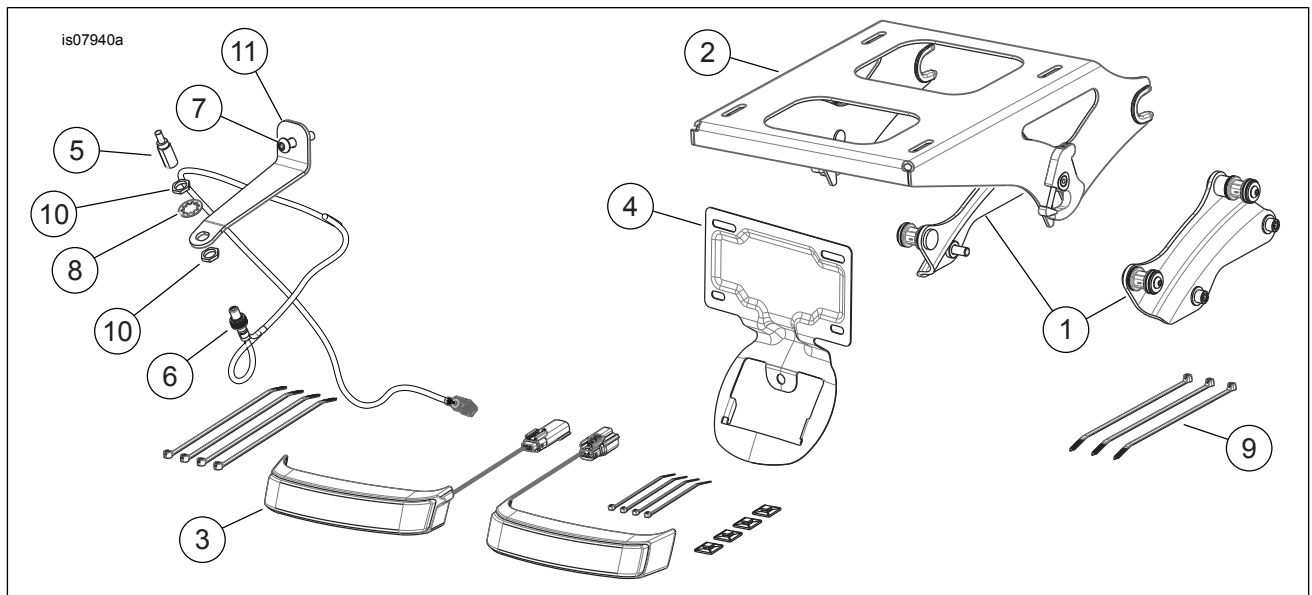


Figure 3. Kit Contents: Detachable Tour-Pak Mounting Rack

Table 1. Service Parts

Kit	Item	Description (Quantity)	Part Number
Kit 53000291A Chrome	1	Docking Hardware Kit	52300362
	2	Detach Kit, Tour-Pak Rack	53000221
	3	Auxiliary Tail Lamp Kit	67800241A
	4	Bracket, license plate	67900167
Kit 53000567 Black	1	Docking Hardware Kit	52300354
	2	Detach Kit, Tour-Pak Rack	53000459
	3	Auxiliary Tail Lamp Kit	67800607
	4	Bracket, license plate	67900362
Items common to both kits	5	Joint assembly	76354-00
	6	Cable extension, AM/FM antenna	69200295
	7	Cap screw, button head, 5/16-18 x 3.8 mm (1.5 in) long	3140
	8	Lockwasher	7129
	9	Cable strap (3)	10006
	10	Nut (2)	76353-00
	11	Bracket, lower antenna relocation	76000309