



# INSTRUCTIONS

-J05786

2013-05-01

## SIDE MARKER LIGHT TRIM KIT

### GENERAL

#### Kit Number

53000330

#### Models

For model fitment information, see the P&A Retail Catalog or the Parts and Accessories section of [www.harley-davidson.com](http://www.harley-davidson.com) (English only).

#### Kit Contents

This kit contains a left and right side marker trim piece.

There are no Service Parts available for this kit.

### INSTALLATION

1. With adhesive backing in place, test fit the side marker trim to the Tour-Pak®.
2. Clean Tour-Pak area surrounding the side marker light with an equal mixture of water and isopropyl alcohol. Allow to dry thoroughly.
3. Remove adhesive backing from trim piece (1). Align trim piece carefully and install.
4. Press firmly with a sliding pressure to make sure that there is good adhesion.
5. Repeat steps for other side.

#### NOTE

Allow adhesive to set for 24 hours.

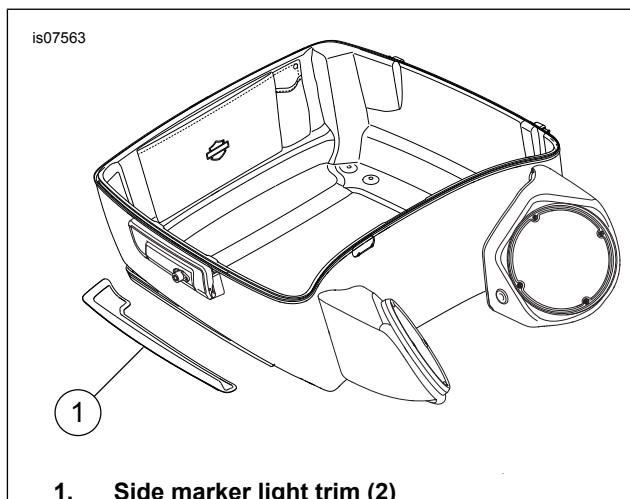


Figure 1. Install Side Marker Light Trim