



# INSTRUCTIONS

-J05745

2013-03-15

## TOUR-PAK WALL ORGANIZER

### GENERAL

#### Kit Number

53000303

#### Models

For model fitment information, see the P&A Retail Catalog or the Parts and Accessories section of [www.harley-davidson.com](http://www.harley-davidson.com) (English only).

#### Kit Contents

See Figure 3 and Table 1.

### INSTALLATION

#### NOTE

Maximum Wall Organizer weight capacity is 1.4 kg (3 lb) evenly distributed.

#### ▲ WARNING

**Do not exceed Tour-Pak weight capacity. Too much weight can cause loss of control, which could result in death or serious injury. (00401c)**

#### Tour-Pak with Molded Liner

1. Pull the Tour-Pak<sup>®</sup> liner away from the Tour-Pak wall. With a damp cloth, wipe the Tour-Pak wall clean.
2. See Figure 3. Use the alcohol wipe (1) and clean the interior surface of the Tour-Pak in the hook-and-loop strips mounting locations. Allow Tour-Pak to dry completely.

#### NOTE

The hook-and-loop strips and organizer must be installed below the edge of Tour-Pak base to avoid interference with top gasket and lock.

The ideal temperature range for applying the fastener strip is 70-100° F (21-38° C). Minimum application temperature is 50° F (10° C). If the temperature is too low, the adhesive will not adhere properly.

3. Remove the protective tape. Press the hook-and-loop strips into the locations (1) shown in Figure 1. The hook-and-loop strips should be located approximately 3 mm (1/8 in) below the edge of the Tour-Pak base.

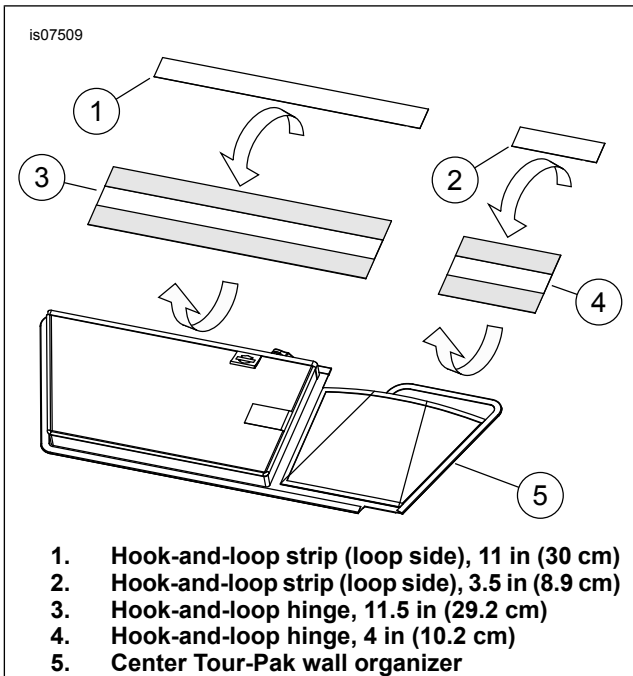
#### NOTE

The lower hook-and-loop strips ( Figure 3, item 9) attached to the wall organizers are not used on a Tour-Pak<sup>®</sup> with a liner.

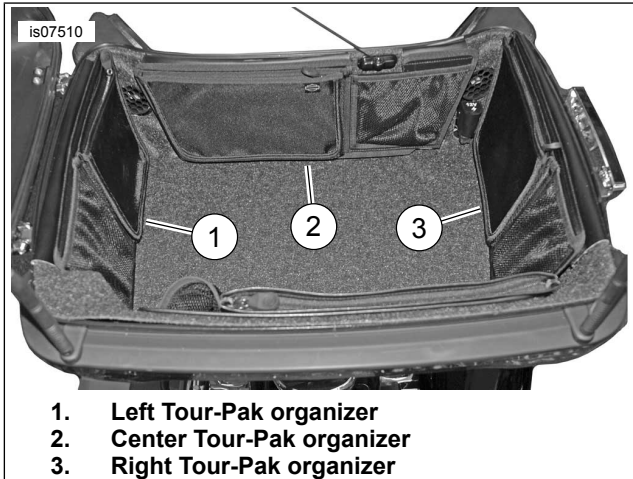
4. See Figure 1. Install hinge strips to the Tour-Pak wall organizers.
  - a. Remove upper hook-and-loop strips (1 and 2) from the center Tour-Pak wall organizer (5).

- b. Install the hook-and-loop hinges (3 and 4) to the center Tour-Pak wall organizer.
  - c. Install the hook-and-loop strips (1 and 2) to the hook-and-loop hinges.
  - d. Remove the lower hook-and-loop strip ( Figure 3, item 9) from the center Tour-Pak wall organizer.
  - e. Repeat procedure for left and right Tour-Pak wall organizers.
5. See Figure 2. Install the Tour-Pak wall organizers (2, 3 and 4) to the Tour-Pak. Start with the center Tour-Pak wall organizer.
  - a. Test fit the Tour-Pak wall organizers to verify fit. Install the left and right Tour-Pak wall organizers so that the mesh pockets are at the rear of the Tour-Pak base. The cut out of the center Tour-Pak wall organizer locates around Tour-Pak lid tether anchor.
  - b. Fit the hook-and-loop strip side of the hook-and-loop hinge between the liner and Tour-Pak wall.
  - c. Verify the fit of the Tour-Pak organizers.
  - d. Remove the protective tape from the hook-and-loop strip (8, 10 or 11). Insert the hook-and-loop hinge between the liner and Tour-Pak wall. Adhere the hook-and-loop strip to the Tour-Pak wall. Repeat for the other two organizers.
6. Verify that the Tour-Pak lid closes over the organizer and the lock works without interference. Adjust as necessary.
7. Allow adhesive to cure ("wet-out") for a minimum of 48 hours at 70° F (21° C) (allow extra time if temperature is below 70°). Do not place items in the Wall Organizer while adhesive is curing.





**Figure 1. Install Hinge Strip to Organizer**



**Figure 2. Mounting locations**

## Tour-Pak without Molded Liner

### NOTE

Hinge strips ( Figure 3, items 5, 6 and 7)are not used on a Tour-Pak® without a liner.

1. Clean the interior wall of the Tour-Pak with a damp cloth.
2. See Figure 3. Use the alcohol wipe (1) and clean Tour-Pak hook-and-loop strips mounting locations. Allow Tour-Pak to dry completely.

### NOTE

The hook-and-loop strips and organizer must be installed below the edge of Tour-Pak base to avoid interference with top gasket and lock.

The ideal temperature range for applying the fastener strip is 70-100° F (21-38° C). Minimum application temperature is 50° F (10° C). If the temperature is too low, the adhesive will not adhere properly.

3. See Figure 2. Install the Tour-Pak wall organizers (2, 3 and 4) to the Tour-Pak. Start with the center Tour-Pak wall organizer.
  - a. Test fit the Tour-Pak wall organizers to verify fit. Install the left and right Tour-Pak wall organizers so that the mesh pockets are at the rear of the Tour-Pak base. The cutout of the center Tour-Pak wall organizer locates around Tour-Pak lid tether anchor.
  - b. Remove the protective tape from the hook-and-loop strip ( Figure 3, items 8-11).
  - c. Adhere the hook-and-loop strip to the Tour-Pak wall.
  - d. Repeat for the other two organizers.
4. Verify that the Tour-Pak lid closes over the organizer and the lock works without interference. Adjust as necessary.
5. Allow adhesive to cure ("wet-out") for a minimum of 48 hours at 70° F (21° C) (allow extra time if temperature is below 70°). Do not place items in the Wall Organizer while adhesive is curing.

# KIT CONTENTS

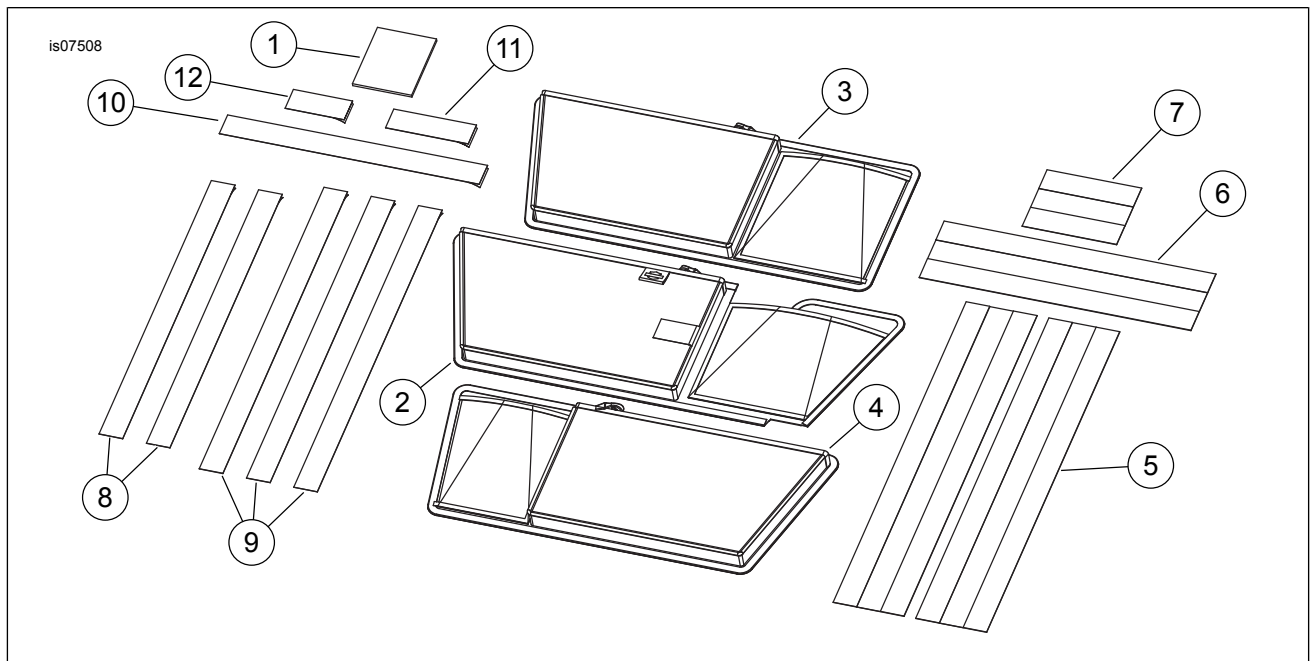


Figure 3. Kit Contents: Tour-Pak Wall Organizer

Table 1. Service Parts Table

Item	Description (Quantity)	Part Number
1	Alcohol wipe	Not Sold Separately
2	Tour-Pak wall organizer, center	Not Sold Separately
3	Tour-Pak wall organizer, right	Not Sold Separately
4	Tour-Pak wall organizer, left	Not Sold Separately
5	Hook-and-loop hinge, 40.6 cm (16 in)	Not Sold Separately
6	Hook-and-loop hinge, 29.2 cm (11.5 in)	Not Sold Separately
7	Hook-and-loop hinge, 10.2 cm (4 in)	Not Sold Separately
8	Hook-and-loop strip (loop side) 34.3 cm (13.5 in)	Not Sold Separately
9	Hook-and-loop strip (loop side) 38.1 cm (15 in)	Not Sold Separately
10	Hook-and-loop strip (loop side) 30 cm (11 in)	Not Sold Separately
11	Hook-and-loop strip (loop side) 8.9 cm (3.5 in)	Not Sold Separately
12	Hook-and-loop strip (loop side) 6.4 cm (2.5 in)	Not Sold Separately