



# INSTRUCTIONS

-J05747

2013-03-01

## TOUR-PAK LID ORGANIZER KIT

### GENERAL

#### Kit Number

53000392, 53000302

#### Models

For model fitment information, see the P&A Retail Catalog or the Parts and Accessories section of [www.harley-davidson.com](http://www.harley-davidson.com) (English only).

#### Additional Parts Required

Separate purchase and installation of additional parts or accessories may be required for proper installation of this kit on your model motorcycle. See the P&A Retail Catalog or the Parts and Accessories section of [www.harley-davidson.com](http://www.harley-davidson.com) (English only) for a list of required parts or accessories for your model.

#### ▲ WARNING

**Do not exceed Tour-Pak weight capacity. Too much weight can cause loss of control, which could result in death or serious injury. (00401c)**

#### NOTE

*Maximum luggage rack weight capacity is 13.5 kg (30 lb).*

### Kit Contents

See Figure 1 and Table 1.

There are no service parts available with this kit.

### INSTALLATION

1. See Figure 1. Use the alcohol wipes (2) included in the kit to clean the interior lid surface. Allow surface to dry.
2. Apply the "hook" side of each hook-and-loop tape (3-6) to the lid organizer (1) mounting locations as shown.
3. Remove protective tape from each hook-and-loop tape.
4. Install the lid organizer to the Tour-Pak lid. Locate the cut-out of the lid organizer around the tether reel. For proper adhesion of the liner to the Tour-Pak lid and to minimize the forces acting on the Tour-Pak hinges:
  - a. Apply opposing pressure to both the outer edge of the lid organizer and the outside of the lid in the same location at the same time.
  - b. Press the sides of the lid organizer and lid together in the same manner, particularly targeting the areas of the hook-and-loop fasteners.
5. Allow the hook and loop tape to cure for 48 hours at 70° F. Do not place items in the organizer until the adhesive has cured.

### SERVICE PARTS

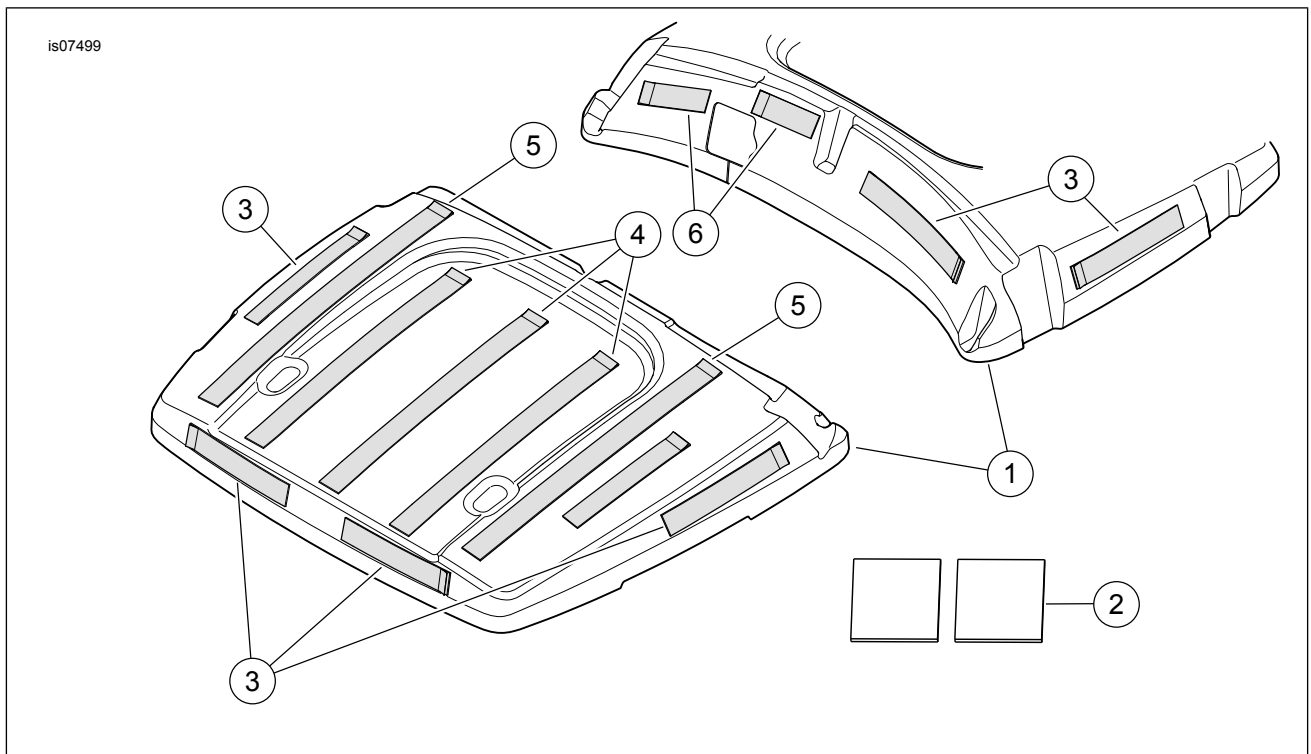


Figure 1. Service Parts: Tour-Pak Lid Organizer Kit

-J05747



Many Harley-Davidson® Parts & Accessories are made of plastics and metals which can be recycled. Please dispose of materials responsibly.

1 / 2

**Table 1. Service Parts Table**

| <b>Item</b> | <b>Description (Quantity)</b>     | <b>Part Number</b>  |
|-------------|-----------------------------------|---------------------|
| 1           | Tour-Pak lid organizer            | Not Sold Separately |
| 2           | Alcohol wipe (2)                  | 94678-00Y           |
| 3           | Hook-and-loop tape, 1 X 6 in (6)  | Not Sold Separately |
| 4           | Hook-and-loop tape, 1 X 12 in (3) | Not Sold Separately |
| 5           | Hook-and-loop tape, 1 X 14 in (2) | Not Sold Separately |
| 6           | Hook-and-loop tape, 1 X 3 in (2)  | Not Sold Separately |