



# INSTRUCTIONS

-J05806

2016-11-09

## DETACHABLE SOLO TOUR-PAK MOUNTING RACK

### GENERAL

#### Kit Number

53000225

#### Models

For model fitment information, see the P&A retail catalog or the Parts and Accessories section of [www.harley-davidson.com](http://www.harley-davidson.com) (English only).

#### Installation Requirements

Proper installation of this kit requires the purchase and installation of a Docking Kit (Part No. 52300131).

**Separate purchase** of other parts or accessories may be required for proper installation of this Detachable Tour-Pak® Rack Kit on this model motorcycle. See the P&A retail catalog or the Parts and Accessories section of [www.harley-davidson.com](http://www.harley-davidson.com) (English only) for a list of required parts or accessories for this model.

#### ▲ WARNING

The rider's safety depends upon the correct installation of this kit. Use the appropriate service manual procedures. If the procedure is not within your capabilities or you do not have the correct tools, have a Harley-Davidson dealer perform the installation. Improper installation of this kit could result in death or serious injury. (00333a)

#### NOTE

This instruction sheet references service manual information. A service manual for this year/model motorcycle is required for this installation. One is available from a Harley-Davidson dealer.

#### Kit Contents

See Figure 2 and Table 1.

### INSTALLATION

#### Tour-Pak Rack Installation

1. Install docking point kit (Part No. 52300131) per the instructions in that kit.
2. See Figure 2. Install Tour-Pak rack (1) to mounting studs (A) of Tour-Pak (D). Secure with washers (3) and nuts (2).
3. The mounting holes of the Tour-Pak rack are slotted. Adjust the position of the Tour-Pak (D) on the Tour-Pak rack (1).
4. Tighten nuts (2).  
Torque: 13.5 N·m (120 in-lbs) Nut

#### Tour-Pak and Rack Installation

1. See Figure 2. Stand behind the motorcycle. Place the front Tour-Pak rack notches, with bushings (4) in place, onto the upper shock absorber mounts (B). Make sure the notches seat fully into the shock mounts.

#### NOTE

**\* If interference is encountered at the shock absorber mounts:** Remove the right side shock absorber. See the service manual. Reinstall the shock absorber in the rod down position. See Figure 1. This will allow the necessary clearance for Tour-Pak rack installation. If fitment issues continue, contact a Harley-Davidson dealer for assistance.

2. Position rotary latches (6) over front docking points (C). Verify rack (1) sides and latches fit into rear docking points.
3. Push down the rear of the rack. Push the latch lever forward until it "clicks" into place. If the latch does not close easily, do not force. Check the rack alignment.

#### NOTE

After installing Tour-Pak rack, verify that Tour-Pak and rack are secure. Front and rear docking points must be fully engaged.

4. Connect all Tour-Pak harnesses and wiring.

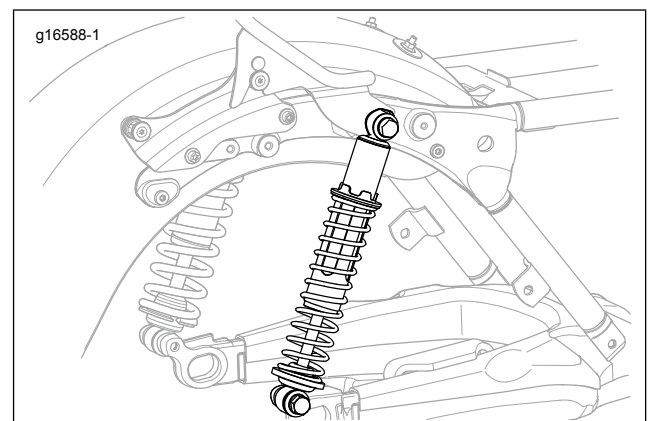


Figure 1. Shock Absorber Orientation with P&A Detachables

#### Tour-Pak and Rack Removal

1. With the ignition turned off, disconnect any harness and wiring connected to the Tour-Pak.
2. Press the release button (E) on each latch. Pull latch away from docking point.
3. Lift the rear of the Tour-Pak rack up.
4. Pull the Tour-Pak and rack out of the shock mounts.

-J05806



Many Harley-Davidson® Parts & Accessories are made of plastics and metals which can be recycled. Please dispose of materials responsibly.

1 / 2

# SERVICE PARTS

is07586

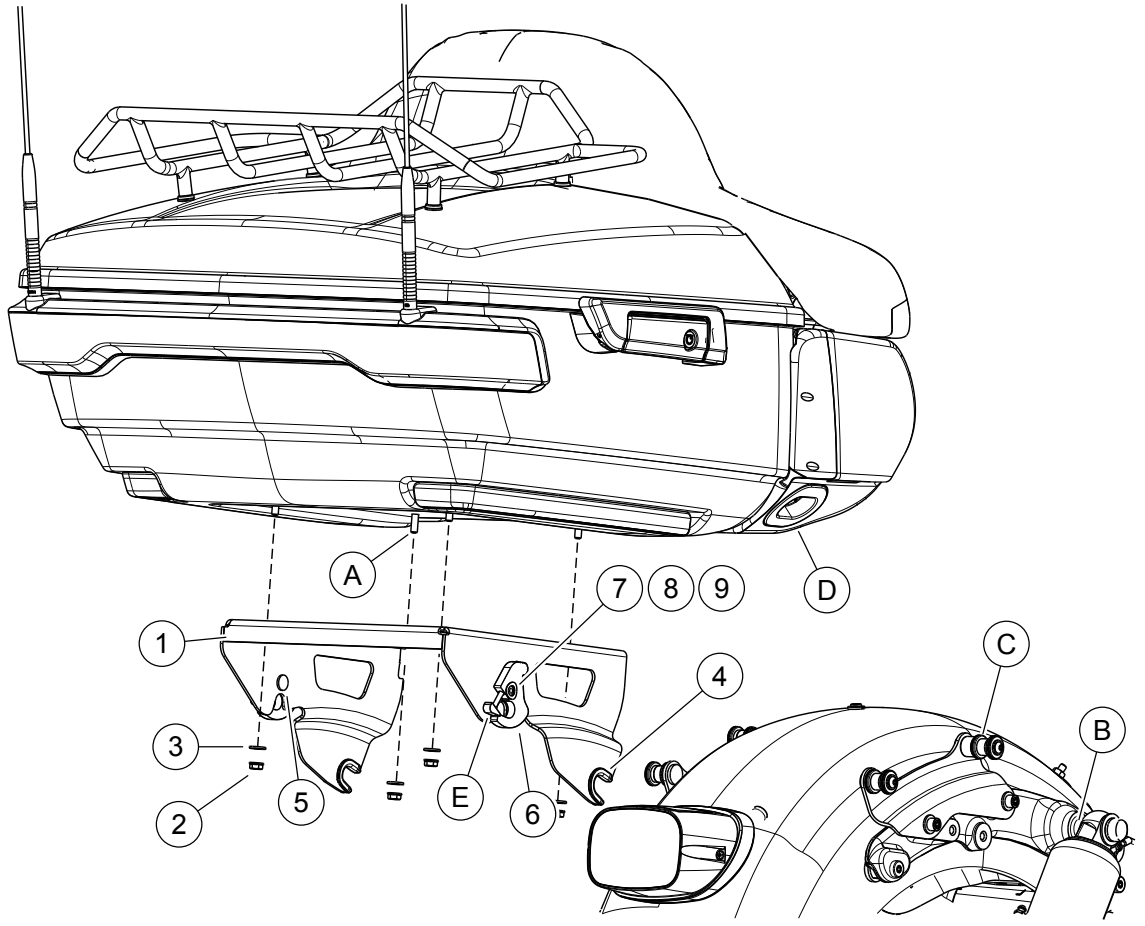


Figure 2. Service Parts, Detachable Solo Tour-Pak Rack

Table 1. Service Parts

Item	Description (Quantity)	Part Number
1	Solo Tour-Pak rack	Not sold separately
2	Nut, flange locking (4)	7716
3	Washer (4)	6703
4	Bushing, docking point (2)	52682-09
5	Splined stud (2)	Not sold separately
6	Detachable latch kit, right side (includes items 7-9)	53508-95
	Detachable latch kit, left side (includes items 7-9)	53509-95
7	Spring washer	6828
8	Flat washer	6827
9	Screw, button head	2957
<b>Items mentioned in text, but not included in kit:</b>		
A	Mounting stud	
B	Shock mount	
C	Front docking point	
D	Tour-Pak	
E	Release button	