



INSTRUCTIONS

-J05815

2014-11-12

H-D DETACHABLE TOURING TWO-UP TOUR-PAK RACK

GENERAL

Kit Number

53000221, 53000459

Models

For model fitment information, see the P&A retail catalog or the Parts and Accessories section of www.harley-davidson.com (English only).

Installation Requirements

Separate purchase of additional parts or accessories may be required for proper installation of this H-D® Detachables™ Kit. See the P&A retail catalog or the Parts and Accessories section of www.harley-davidson.com (English only) for a list of required parts or accessories for this model.

▲ WARNING

The rider's safety depends upon the correct installation of this kit. Use the appropriate service manual procedures. If the procedure is not within your capabilities or you do not have the correct tools, have a Harley-Davidson dealer perform the installation. Improper installation of this kit could result in death or serious injury. (00333a)

Kit Contents

See Figure 1 and Table 1.

INSTALLATION

Tour-Pak Rack Installation

1. Install 4 point docking kit according to the instructions included in that kit.

2. See Figure 1. Install the Tour-Pak® rack (1) to the mounting studs (A) of the Tour-Pak (D). Secure with washers (3) and nuts (2).
3. The mounting holes of the Tour-Pak rack are slotted. Adjust the position of the Tour-Pak (D) on the Tour-Pak rack (1).
4. Tighten nuts (2) to 13.5 N·m (120 in-lbs).

Tour-Pak and Rack Installation

1. See Figure 1. Place the front Tour-Pak rack notches, with bushings in place) onto the front docking points (B). Make sure the notch bushings (4) seat fully into the front docking points.
2. Position the detachable latches (6) over the rear docking points (C). Verify that the rack (1) sides and latches locate into rear docking points.
3. Push down the rear of the rack. Push the latch lever forward until it clicks into place. If the latch does not close easily, do not force. Check the rack alignment.
4. Connect all Tour-Pak harnesses and wiring.

NOTE

After installing the Tour-Pak rack, verify that the Tour-Pak and rack are secure. The front and rear docking points must be fully engaged.

Tour-Pak and Rack Removal

1. With the ignition turned off, disconnect any harness and wiring connected to the Tour-Pak.
2. Press the release button on each latch. Pull latch away from docking point.
3. Lift the rear of the Tour-Pak rack up.
4. Pull the Tour-Pak and rack out of the front docking points.

SERVICE PARTS

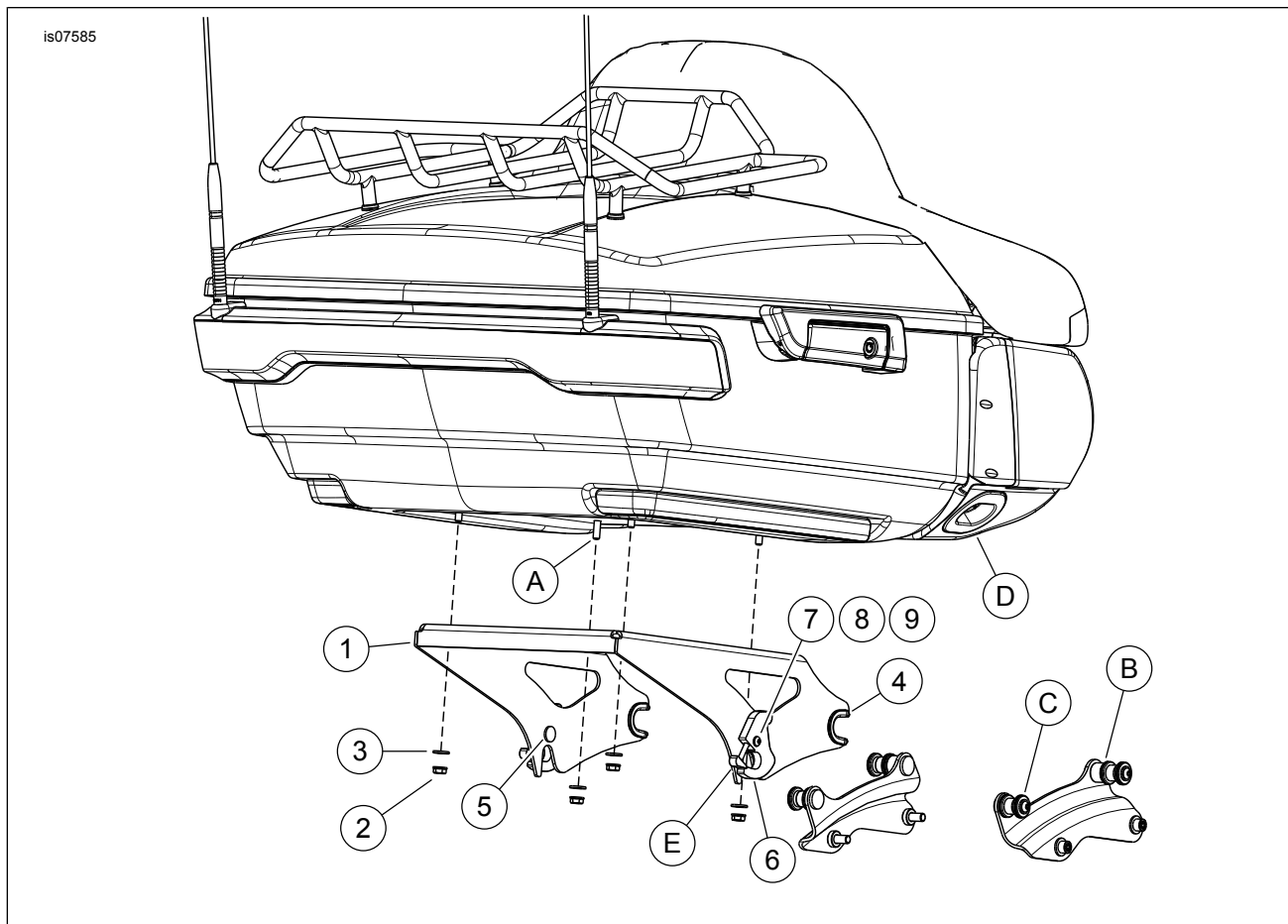


Figure 1. Service Parts: Detachable Two-Up Tour-Pak Rack

Table 1. Service Parts Table

Item	Description (Quantity)	Part Number
1	Two-up Tour-Pak rack	Not Sold Separately
2	Nut, flange locking (4)	7716
3	Washer (4)	6703
4	Bushing, docking point (2)	52682-09
5	Splined stud (2)	Not Sold Separately
6	Detachable latch kit (includes items 7 through 9) (2)	50300108
7	• Spring washer	6828
8	• Flatwasher	6827
9	• Flatwasher	2957
Items mentioned in text, but not included in kit:		
A	Mounting stud	
B	Front docking point	
C	Rear docking point	
D	Tour-Pak	
E	Release button	