



INSTRUCTIONS

-J00907

REV. 3-28-98

Kit Numbers 51903-98, 52770-97, 52994-98, 52995-98,
52996-98, 52997-98 and 52998-98

LEATHER SISSY BAR BAG

General

See chart below for kit fitment:

| | Softail | Dyna Glides | Sportster |
|---|---------|-------------|-----------|
| Low sissy bar and pad only | Yes | Yes | Yes |
| Tall sissy bar and pad only | Yes | Yes | Yes |
| Low sissy bar, pad & 4 channel rack (56465-86) | Yes | No | No |
| Tall sissy bar, pad & 4-channel rack (56465-86) | Yes | No | No |
| Low sissy bar, pad & 3 channel rack (53465-87B) | Yes | No | No |
| Tall sissy bar, pad & 3-channel rack (53465-87B) | Yes | No | No |
| Low sissy bar, pad & Bobtail rack | Yes | Yes | No |
| Tall sissy bar, pad & Bobtail rack | Yes | Yes | No |
| Low sissy bar, pad & sport rack (53711-96) detachables | No | Yes | Yes |
| Low sissy bar, pad & sport rack (53547-91) rigid plates | No | Yes | No |
| Low sissy bar, pad & sport rack (56467-88A) rigid plates | No | No | Yes |
| Low sissy bar, pad & 2-up sport rack (53713-96) | Yes | No | No |
| Tall sissy bar, pad & sport rack (53711-96) detachables | No | Yes | Yes |
| Tall sissy bar, pad & sport rack (53547-91) rigid plates | No | Yes | No |
| Tall sissy bar, pad & sport rack (56467-88A) rigid plates | No | No | Yes |
| Tall sissy bar, pad & 2-up sport rack (53713-96) | Yes | No | No |
| Low sissy bar, pad & mini rack (52775-71) | No | No | No |
| Tall sissy bar, pad & mini rack (52775-71) | Yes | Yes | Yes |

Installation - Low Sissy Bars

NOTE

The spacer (Item 4 in Service Parts illustration) will not be used on low sissy bars.

1. Remove and discard mounting screw from backrest pad, if currently in place.
2. See Figure 1. Align hole in sissy bar bag (1), hole in sissy bar and backrest pad mounting hole.
3. Secure bag to sissy bar with supplied screw (2) and washer (3) as shown.

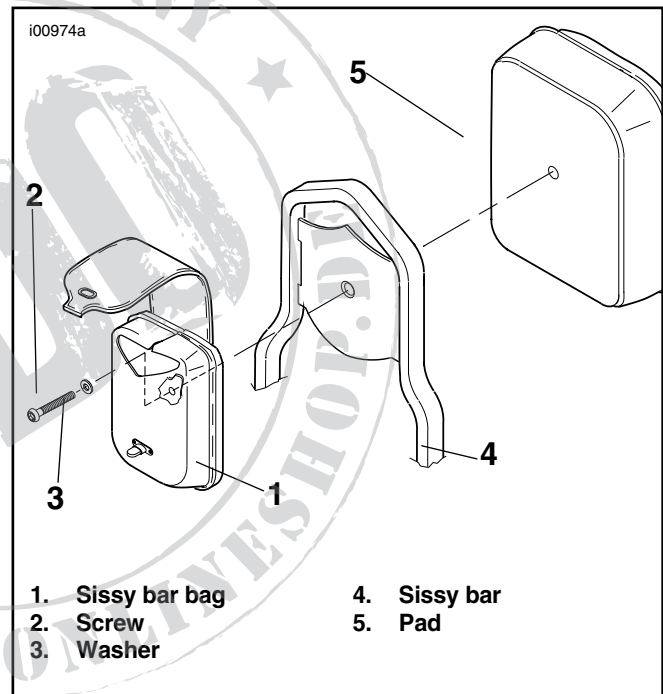


Figure 1. Installation on low sissy bar

NOTE

This bag must be used with a sissy bar pad.

This bag will not fit on Touring backrests.


This bag will not fit with mini or short sissy bars.

This bag will not fit when using slip over pads on any sissy bar.

See Service Parts illustration for kit contents.

Installation - Tall Sissy Bars

1. Remove and discard mounting screws from backrest pad, if currently in place.
2. See Service Parts illustration. Align holes in sissy bar bag (1), holes in sissy bar, holes in spacer (4) and backrest pad mounting holes.
3. Secure bag to sissy bar with supplied screws (2) and washers (3) as shown.

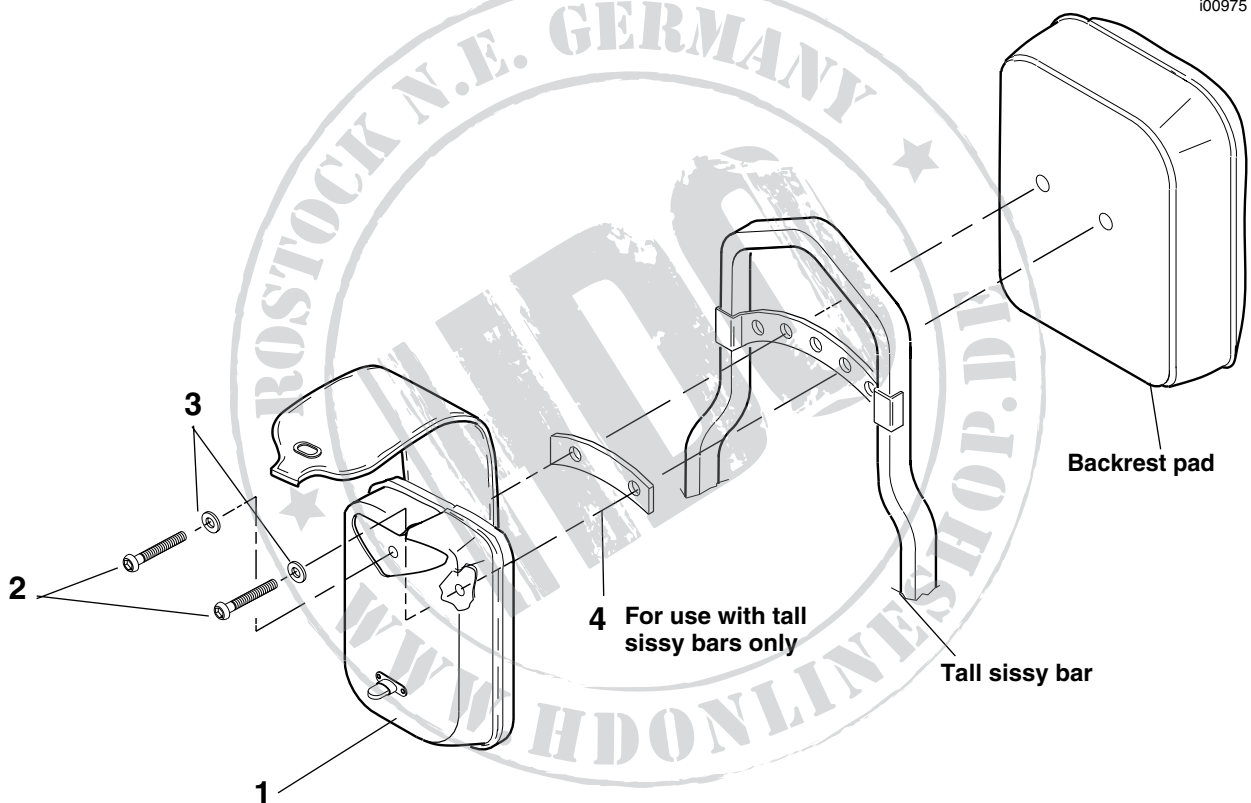


Service Parts

Part No. 52770-97 | Date 6/97

Sissy Bar Bag

100975



| Item | Description | Part No. |
|------|---------------|---------------------|
| 1 | Sissy bar bag | Not sold separately |
| 2 | Screws, (2) | 2602 |

| Item | Description | Part No. |
|------|--|----------|
| 3 | Washers, (2) | 6036 |
| 4 | Spacer (<i>tall sissy bars only</i>) | 52960-97 |