



INSTRUCTIONS

-J03370

REV. 2006-05-05

XL SOLO CUSTOM SEAT KITS

GENERAL

Kit Number

52940-04A and 52941-04A

Models

Kit 52940-04A fits 2004 and later XL883C, XL1200C and XL1200L model motorcycles.

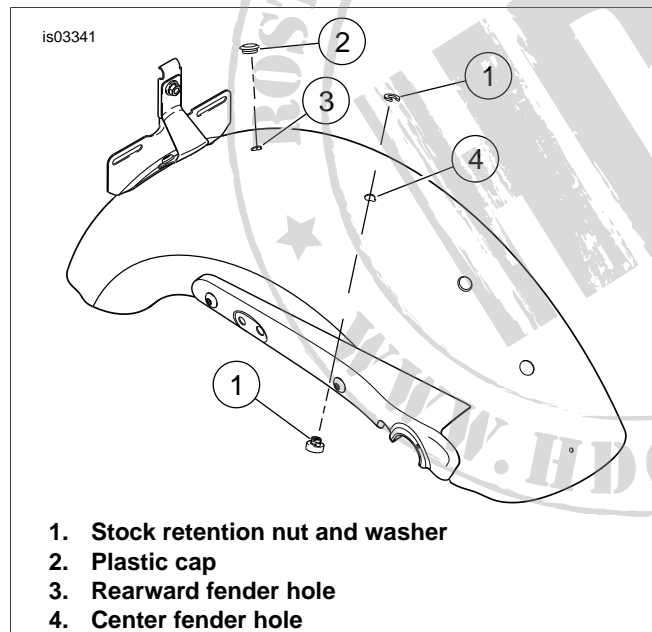
Kit 52941-04A fits 2004 and later XL50, XL883, XL883L, XL883R and XL1200R model motorcycles.

Kit Contents

See Figure 3 and Table 1.

INSTALLATION

1. Refer to the Owner's Manual and follow the instructions given to remove the seat.



1. Stock retention nut and washer
2. Plastic cap
3. Rearward fender hole
4. Center fender hole

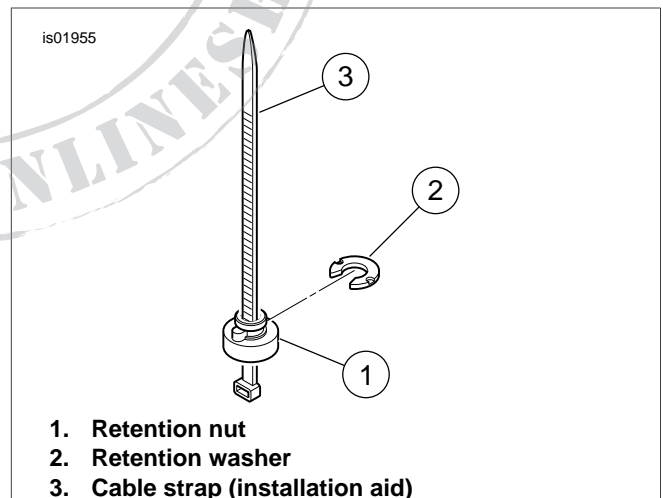
Figure 1. Retention Nut and Plastic Cap Location

2. For models that had a solo seat: Proceed to Step 3.
For models that had a 2-up seat: The retention nut and washer must be moved from the rearward mounting hole to the center fender hole where the rear seat bracket will

be attached. Use a cable strap to aid in this step as follows:

- a. See Figure 1. Remove retention nut from rearward fender hole (3) and plastic cap (2) from center fender hole (4).
- b. Install plastic cap into the rearward fender hole.
- c. See Figure 2. Place the retention nut over the cable strap so the wide end of the nut rests on the eye of the cable strap. Thread the cable strap up under the fender and through the center fender hole. Pull up on the cable strap to hold the nut snug against the underside of the fender.
- d. With the rib of the retention nut seated into the notch in the fender hole, slide the retention washer into place from the rear. This will lock the retention nut in place.

3. Position the solo seat on the motorcycle frame with the mounting bracket at the rear. Bring the seat forward and engage the tab on the seat into the slot at the base of the fuel tank.
4. See Figure 3. Secure the seat to the fender using the knurled knob (3) and neoprene washer (4) from the kit. Install the washer on the knob and tighten the knob securely to the fender seat nut.



1. Retention nut
2. Retention washer
3. Cable strap (installation aid)

Figure 2. Retention Nut Installation

5. Remove the adhesive backing from the Bar & Shield emblem (2) and install it in the recess in the knob face.

WARNING**SERVICE PARTS**

After installing seat, pull upward on seat to be sure it is locked in position. While riding, a loose seat can shift causing loss of control, which could result in death or serious injury. (00070b)

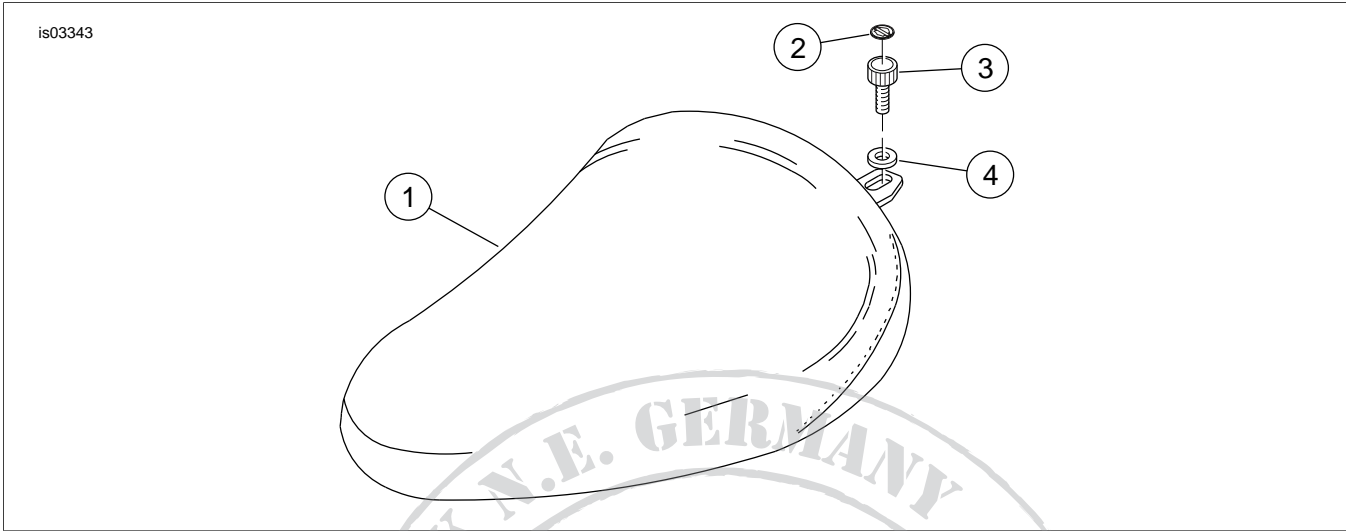


Figure 3. Service Parts for XL Solo Custom Seat Kits

Table 1. Service Parts

Item	Description (Quantity)	Part Number
1	Seat	Not Sold Separately
2	Emblem, Bar & Shield	14628-96
3	Knurled knob, 1/4-20 inch	3649
4	Washer, Neoprene	6205
5	Leather dressing (not shown)	Not Sold Separately