



INSTRUCTIONS

-J03698

REV. 2006-10-13

DETACHABLE DYNA SIDEPLATE KIT

GENERAL

Kit Number

52866-06

Models

For model fitment information, please see the P&A Retail Catalog or the Parts and Accessories section of www.harley-davidson.com (English only).

This instruction sheet provides directions for installing a Detachable Sideplate with an existing sissybar assembly.

Additional Parts Required

The appropriate docking hardware and possibly a directional relocation kit must be installed prior to installation of this sideplate kit. These kits must be purchased separately from a Harley-Davidson Dealer.

Table 1. Docking Hardware Kits

Docking Hardware Kit	Model Year
53964-06 only	FXDWG

Table 2. Directional Relocation Kits

Docking Hardware and Directional Relocation Kit	Model Year
53961-06 and 53968-06	All except FXDWG
If mounting this kit with Saddlebags, part number 53968-06 is not required.	

Loctite® 262 (red), Part Number 94759-99, is available from your Harley-Davidson Dealer.

Kit Contents

Table 3. Kit Contents

Description (Quantity)	Part Number
Side Plate, detachable, right	52869-06
Side Plate, detachable, left	52870-06
Button head screws (4)	94592-98

SISSYBAR INSTALLATION

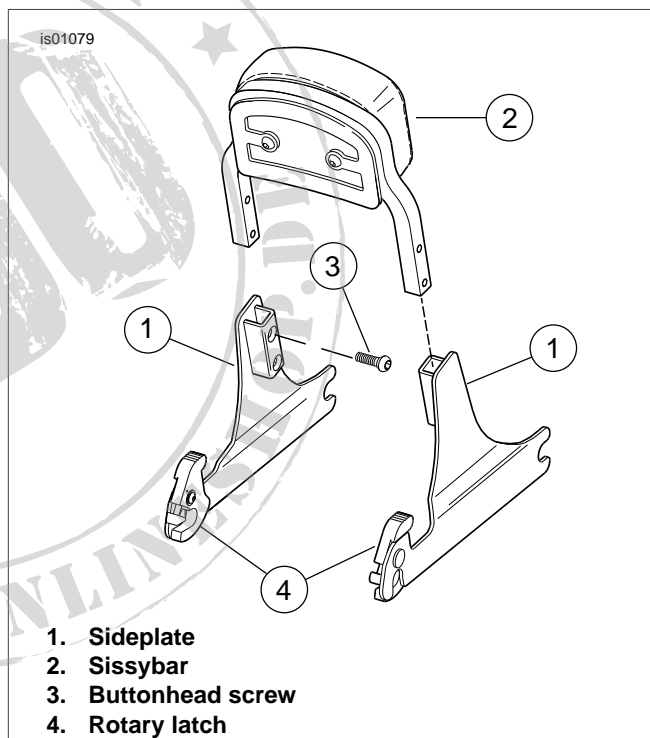


Figure 1. Detachable Sissybar Sideplate Assembly

See Figure 1. Install new or existing sissybar (2) to detachable sideplates (1) using four buttonhead screws (3). Apply Loctite® 262 (red) to screws before installation. Tighten screws to 96-120 in-lbs (11-14 N-m).

SIDEPLATE INSTALLATION

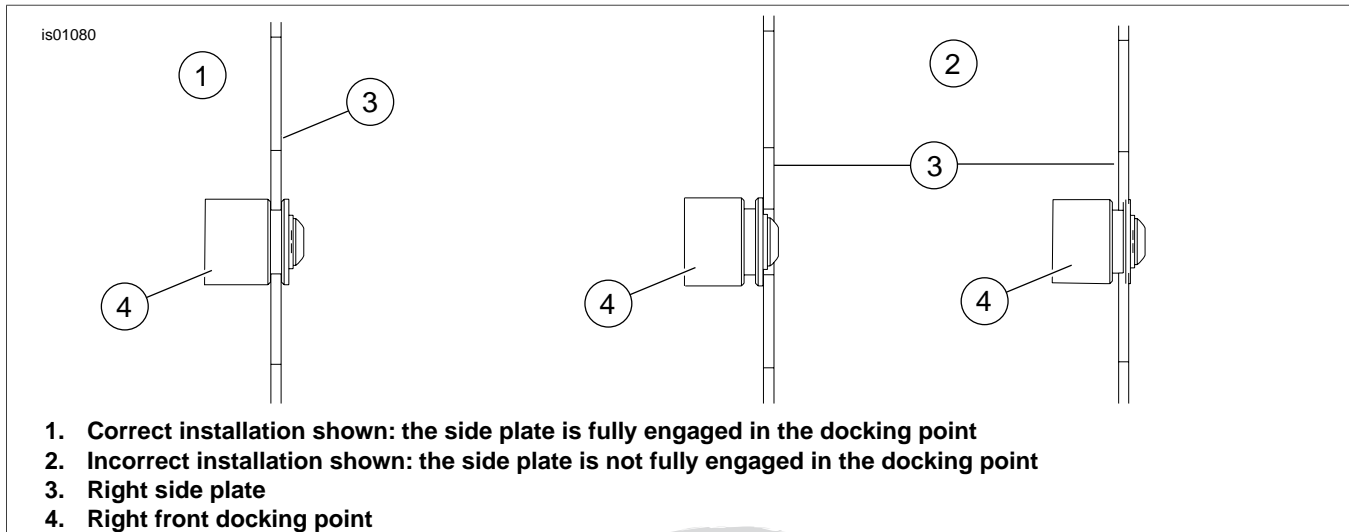


Figure 2. Sideplate Must Fit Into Docking Point Correctly

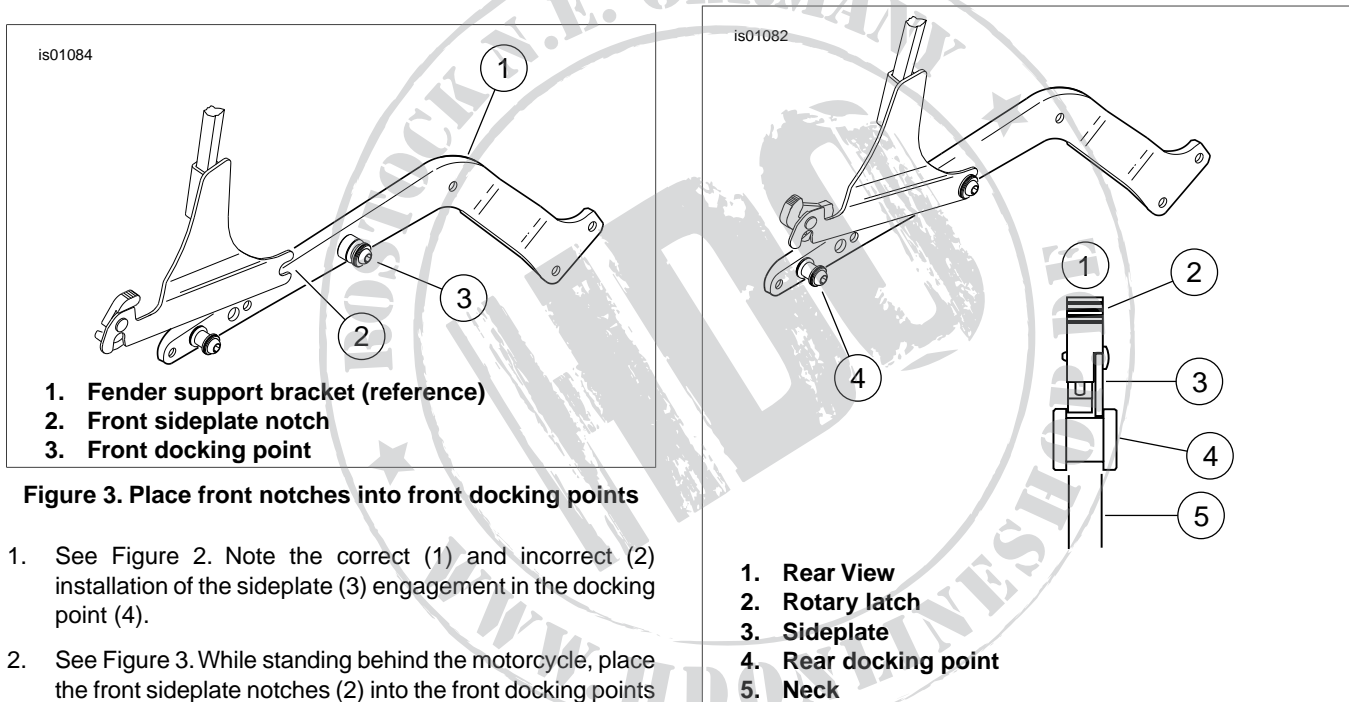


Figure 3. Place front notches into front docking points

1. See Figure 2. Note the correct (1) and incorrect (2) installation of the sideplate (3) engagement in the docking point (4).
2. See Figure 3. While standing behind the motorcycle, place the front sideplate notches (2) into the front docking points (3) as shown in Figure 3. (Sideplate sissybar assembly in this illustration is not shown in its entirety.) See Figure 2 for views of correct and incorrect sideplate positions.

NOTE

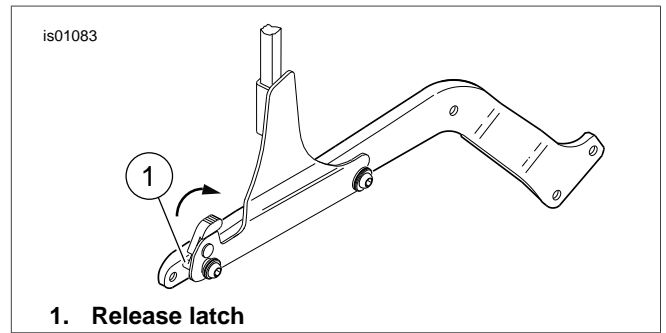
Check alignment as described in Step 2 and Figure 2. Failure to properly align the docking points and sideplates may result in damage to the rear docking points.

Figure 4. Pull back rotary latches and lower sideplate onto rear docking points

3. See Figure 4. Pull the rotary latches (2) back into their rearmost position as shown in Figure 4. Position the rear rotary latches over the rear docking points (4), making certain the latches and sideplates (3) fit into the neck (5) of the rear docking points as shown in the rear view in Figure 4. This may require some gentle squeezing or spreading of the sideplates.
4. Push downward and close the rotary latches by pressing the latch lever as far forward as it will go as shown in Figure 5. You will hear a click when the latch is in place. **If the latch does not easily close, do not force.** Recheck alignment as shown in Figure 4 and Figure 2.

⚠ WARNING

After installing sissy bar/sideplate assembly, pull upward to be sure it is locked in position. While riding, a loose sissy bar/sideplate assembly can shift causing loss of control, which could result in death or serious injury. (00388a)



1. Release latch

Figure 5. Close rotary latches by pushing latch fully forward.

5. To remove the sideplates, press the release button (1) shown in Figure 5 and pull the rotary latch lever back. Carefully lift the rear of the sideplates up and pull the sideplates out of the front docking points.

