



INSTRUCTIONS

-J05104

REV. 2010-12-02

ONE-PIECE DETACHABLE SISSY BAR UPRIGHTS

GENERAL

Kit Number

52760-11, 52828-11

Models

For model fitment information, see the P&A Retail Catalog or the Parts and Accessories section of www.harley-davidson.com (English only).

Additional Parts Required

Separate purchase of additional parts or accessories may be required for proper installation of this Upright Kit on your model motorcycle. Refer to the latest Harley-Davidson Genuine Motor Accessories and Genuine Motor Parts catalog for a list of required parts or accessories for your model.

WARNING

The rider's safety depends upon the correct installation of this kit. If the procedure is not within your capabilities or you do not have the correct tools, have a Harley-Davidson dealer perform the installation. Improper installation of this kit could result in death or serious injury. (00308a)

Kit Contents

See Figure 3 and Table 1.

INSTALLATION

Install Docking Point Kit and Turn Signal Relocation Kit

Install the docking point kit and turn signal relocation kits. Follow the kit instructions.

Passenger Upright Installation

1. See Figure 1. Stand behind the motorcycle, and place (10) the front upright notches (2) into the front docking points (3).

2. See Figure 2. Check for correct notch engagement.

NOTE

Failure to correctly engage the sideplate notches to the docking points may result in damage to the rear docking points.

3. See Figure 1. Pull (11) the rotary latches (4) into their most rearward position. Align the latches over the rear docking points (7), making sure the latches and rear notches (6) fit into the neck (8) of the rear docking points.

NOTE

This may require some gentle squeezing or spreading of the upright sideplates.

4. Push downward (12) on the sideplates, and close the rotary latches by pushing (13) the latch levers as far forward as they will go. A click will be heard when the latch is in place. **If the latch does not close, do not force it.**

ward as they will go. A click will be heard when the latch is in place. **If the latch does not close, do not force it.**

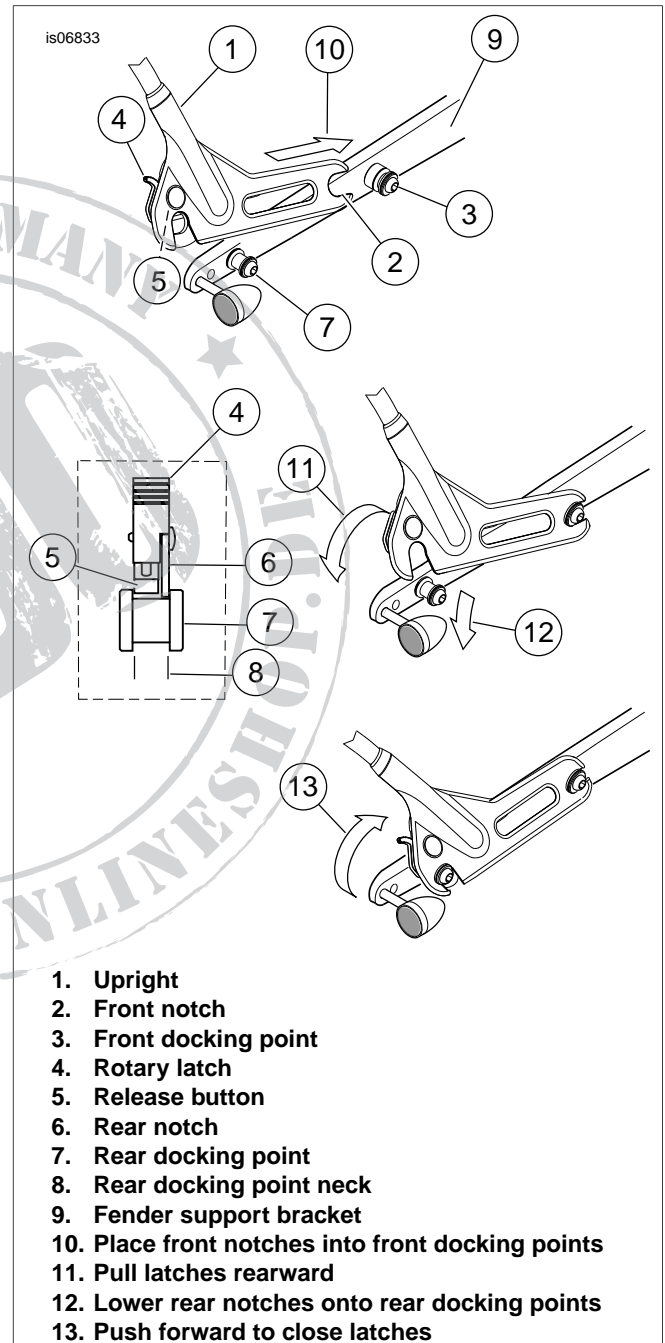
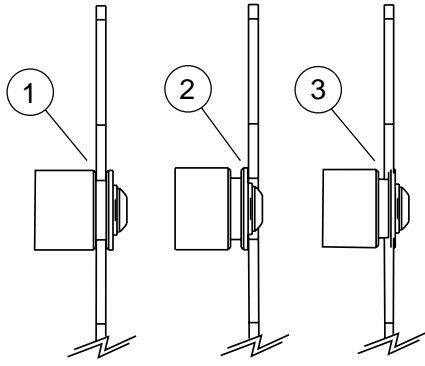


Figure 1. Detachable Upright

is00060



- 1. Correct
- 2. Incorrect
- 3. Incorrect

Figure 2. Upright Notch to Docking Point Engagement

5. See Figure 2. Re-check for correct notch engagement.

WARNING

After installing sissy bar/sideplate assembly, pull upward to be sure it is locked in position. While riding, a loose sissy bar/sideplate assembly can shift causing loss of control, which could result in death or serious injury. (00388a)

REMOVAL

To remove the upright, press the release buttons and pull the rotary latches rearward. Carefully lift the rear of the sideplates up, and pull the upright out of the front docking points.

SERVICE PARTS

is06832

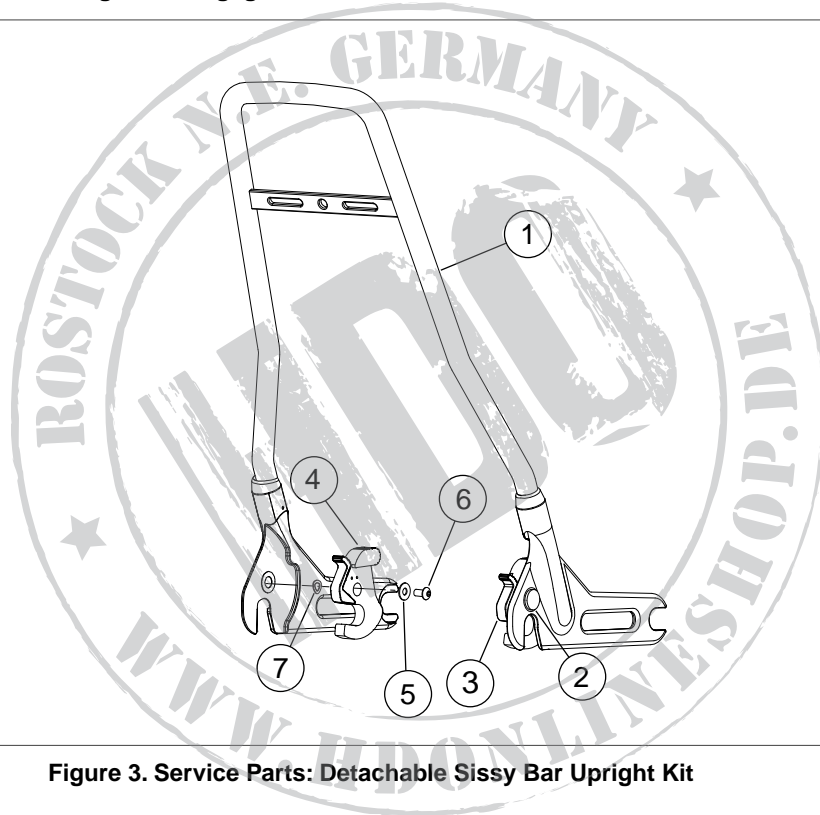


Figure 3. Service Parts: Detachable Sissy Bar Upright Kit

Table 1. Service Parts Table

Item	Description (Quantity)	Part Number
1	Detachable upright	Not Sold Separately
2	Stud, pivot (2)	Not Sold Separately
3	Latch assembly, (includes items 5-7)	12600021
4	Latch assembly, (includes items 5-7)	12600022
5	Flatwasher	Not Sold Separately
6	Button head screw	Not Sold Separately
7	Wave spring washer	Not Sold Separately