



# INSTRUCTIONS

-J02793

REV. 2007-03-21

## SPORTSTER DETACHABLE SIDEPLATE KIT

### GENERAL

#### Kit Number

53913-04 - Chrome

52710-07 - Gloss Black

#### Models

For model fitment information, please see P&A Retail Catalog or the Parts and Accessories section of [www.harley-davidson.com](http://www.harley-davidson.com) (English only).

#### Additional Parts Required

This kit is designed to be installed only with a Genuine Harley-Davidson sissy bar upright and docking hardware kit. For accessories and kit part numbers see your local Harley-Davidson dealer, [www.harley-davidson.com](http://www.harley-davidson.com) or your Harley-Davidson Genuine Motor Accessory Catalog.

For proper installation, Loctite® 262 Threadlocker and Sealant (Harley-Davidson Part Number 94759-99) will also be needed.

#### Kit Contents

Table 1. Kit Contents

Description (Quantity)	Part Number
Detachable sideplate (right)	Not Sold Separately
Detachable sideplate (left)	Not Sold Separately
Screw, button head, Torx® (4)	94592-98
Reflector (Red) (2)	59259-90

### INSTALLATION

#### Sissy Bar

1. See Figure 1. Insert the sissy bar (2) into the detachable sideplates (1) and secure with four button head Torx® screws (3) from this kit. Apply Loctite® 262 to the screw threads before installation. Tighten the screws to 96-120 in-lbs (11-14 Nm).

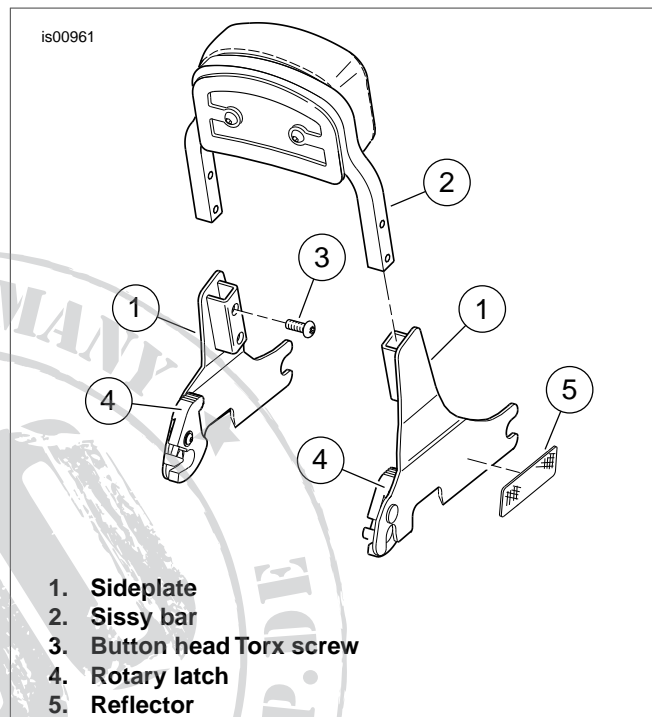


Figure 1. Detachable Sissybar Sideplate Assembly

#### WARNING

Federal Motor Vehicle Safety Standard (FMVSS) 108 requires motorcycles to be equipped with rear and side reflectors. Be sure rear and side reflectors are properly mounted. Poor visibility of rider to other motorists can result in death or serious injury. (00336b)

#### NOTE

The mounted sissy bar sideplates will cover the factory-installed rear side reflectors on these vehicles. You must install the rear side reflectors supplied with this kit.

2. Remove the adhesive backing and install a reflector (5) from the kit on each sideplate as shown.

The reflector should be centered in the lower area of the sideplate between the front notch and the turn signal cutout, and the bottom of the reflector should be parallel to the bottom of the sideplate. Press the reflector firmly in place to activate the adhesive.

#### Sideplate

1. See Figure 2. While standing behind the motorcycle, place the front sideplate notches (2) into the front docking points (3) as shown.

See Figure 3 for views of correct and incorrect sideplate engagement.

### NOTE

Check alignment as shown in Figure 3. Failure to properly align the docking points and sideplates may result in damage to the rear docking points.

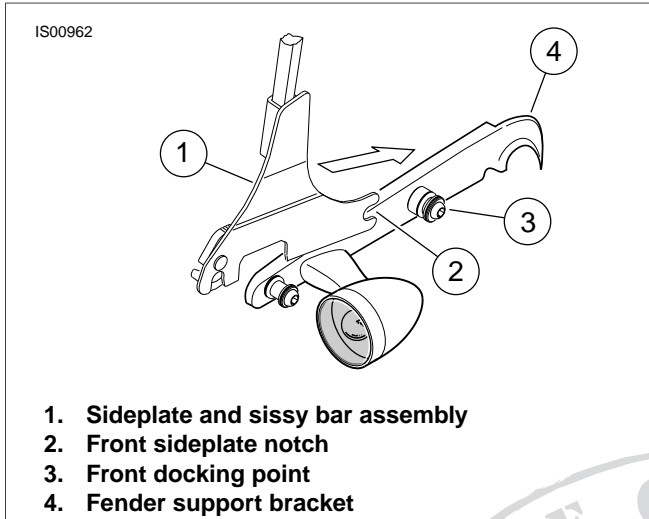


Figure 2. Place Sideplate Front Notches into Front Docking Points

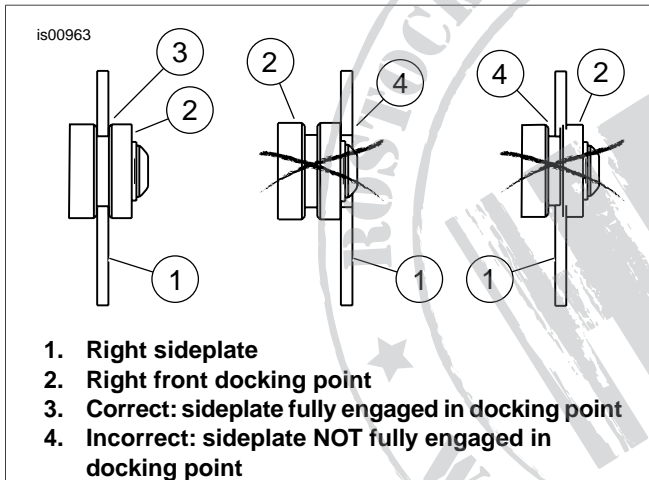


Figure 3. Sideplate Must Fit into Docking Point Correctly

2. See Figure 4. Rotate the latches (1) on both sideplates (2) so the latch openings and the rear sideplate notches (3) are aligned. Position the latches over the rear docking points (4), making certain the latches and sideplates fit into the neck (5) of the docking points as shown in the Figure 4 inset. This may require some gentle squeezing or spreading of the sideplates.

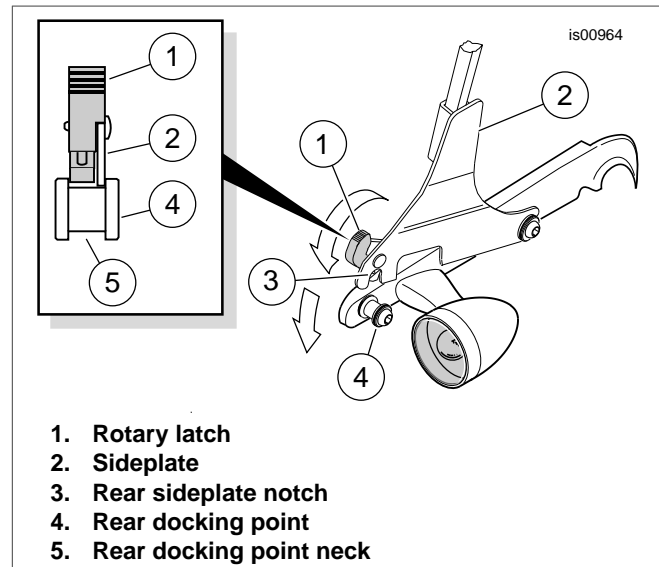


Figure 4. Pull Back Latches, Lower Sideplate onto Rear Docking Points

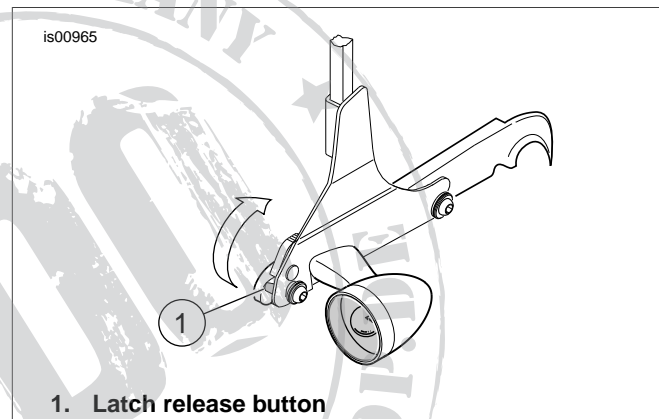


Figure 5. Close Latches

3. See Figure 5. Push down on the sideplates and close the latches by pressing the latch lever as far forward as it will go, as shown. You will hear a click when the latch has seated properly. **If the latch does not easily close, do not force it.** Re-check the alignment as described in Step 2 and Figure 3.

### WARNING

After installing sissy bar/sideplate assembly, pull upward to be sure it is locked in position. While riding, a loose sissy bar/sideplate assembly can shift causing loss of control, which could result in death or serious injury. (00388a)

### REMOVAL

See Figure 5. To remove the sideplates, press the release button (1) and pull the rotary latch lever back. Carefully lift the rear of the sideplates up and pull the sideplates out of the front docking points.