



INSTRUCTIONS

-J04662

REV. 2008-09-16

FXDB PASSENGER PILLION KIT

GENERAL

Kit Number

52689-09

Models

For model fitment information, see the P&A Retail Catalog or the Parts and Accessories section of www.harley-davidson.com (English only).

Kit Contents

See Figure 2 and Table 1.

Required Parts

Separate purchase of luggage rack (52796-09) and passenger footpegs (see P&A catalog) are required. Can be installed with passenger upright (52726-09) and backrest pad (51782-07 or 51783-07) if purchased separately.

WARNING

The rider's safety depends upon the correct installation of this kit. If the procedure is not within your capabilities or you do not have the correct tools, have a Harley-Davidson dealer perform the installation. Improper installation of this kit could result in death or serious injury. (00308a)

WARNING

Do not install these seat kits on motorcycles that are not equipped with an appropriate grab strap and passenger footpegs. If footpegs and grab strap are not installed, passenger could fall from moving motorcycle or grab onto operator, causing loss of control and death or serious injury. (000410b)

INSTALLATION

1. See Figure 1. Install the luggage rack (1) following the instructions in that kit.
2. Center the pillion (2) over the luggage rack (1) with the pillion tang (3) parallel with the slots in the luggage rack.
3. With the rear of the pillion tipped slightly upward, lower the pillion tang through the rack slots and slide the pillion

forward until tang engages the front bar of the luggage rack.

4. When the tang is in place, lower the rear of the pillion onto the luggage rack and push down firmly directly above the latch (approximately 2 in (51 mm) from the rear of the pillion) so the pillion latch (4) snaps into place.
5. Pull up on pillion to verify it is locked in place.

Removal

1. Push down on the top of the rear of pillion and push the latch release (5) to move the latch. Raise the rear of the pillion clear of the luggage rack.
2. Pull pillion back and up to disengage the tang from the luggage rack. Remove the pillion.

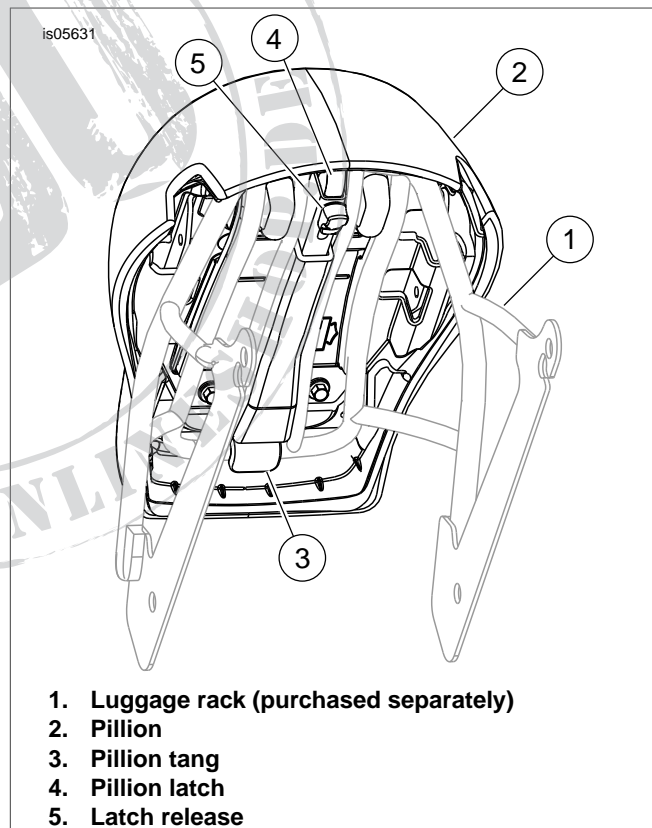


Figure 1. Install Pillion on Luggage Rack

SERVICE PARTS

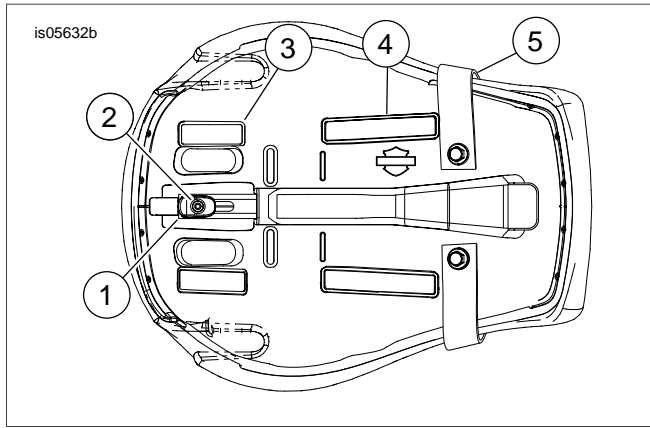


Figure 2. Service Parts: FXDB Passenger Pillion Kit

Table 1. Service Parts: FXDB Detachable Passenger Pillion Kit

Item	Description (Quantity)	Part Number
1	Latch release	52678-09
2	Latch bolt	4804
3	Pad, rear (2)	51197-09
4	Pad, front (2)	Not Sold Separately
5	Grab strap	Not Sold Separately

