



INSTRUCTIONS

-J00218

REV. 2007-02-08

PASSENGER BACKREST KIT

GENERAL

Kit Number

51667-98, 51711-06, 51984-08, 52087-98, 52176-87, 52188-95, 52198-95, 52495-88, 52545-84, 52582-95, 52612-95, 52614-95, 52626-04, 52649-96, 52650-96, 52652-04, 52656-04, 52668-96, 52677-97, 52875-98, 52878-98, 52882-98

Models

For model fitment information, please see the P&A Retail Catalog or the Parts and Accessories section of www.harley-davidson.com (English only).

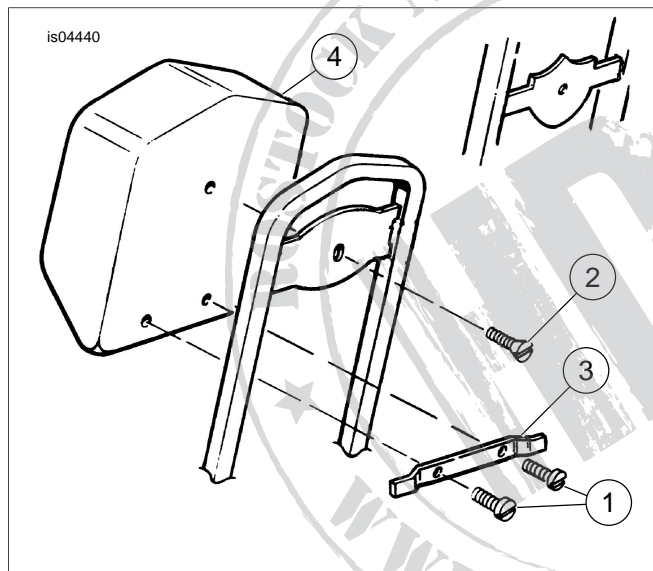


Figure 1. Service Parts: Passenger Backrest Kit

INSTALLATION

1. With your hand, feel through the backrest material to locate mounting holes.
2. Carefully cut holes in material at mounting locations. Cut only enough material away for screw to enter backrest.
3. See Figure 1 and Table 1. Secure backrest (4) to sissy bar using bracket (3) and screws (1).
4. Install screw (2) through center hole into backrest.
5. Tighten all screws securely. Do not overtighten.

Table 1. Service Parts Table

Kit	Item	Description (Quantity)	Part Number	
52532-90 52876-98	1	Screw, 1/4-20 X 1 in. pan head (2)	2538	
	2	Screw, 1/4-20 X 1 in. flat head	1617	
	3	Bracket, backrest	52771-82	
	4	Backrest	Not Sold Separately	
52598-95	1	Screw, 1/4-20 X 1 in. pan head (2)	2538	
	2	Screw, 1/4-20 X 1 in. flat head	1617	
	3	Bracket, backrest	52771-82	
52936-97 52938-97 53021-98	1	Screw, 1/4-20 X 3/4 in. pan head (2)	2151	
	2	Screw, 1/4-20 X 3/4 in. flat head	1602	
	3	Bracket, backrest	52771-82	
51667-98 51711-06 51984-08 52087-98 52176-87 52188-95 52198-95 52495-88 52545-84 52582-95 52612-95 52614-95 52626-04 52649-96 52650-96 52652-04 52656-04 52668-96 52677-97 52875-98 52878-98 52882-98	1	Screw, 1/4-20 X 5/8 in. pan head (2)	1000	
	2	Screw, 1/4-20 X 3/4 in. flat head	1602	
	3	Bracket, backrest	52771-82	
	4	Backrest	Not Sold Separately	