



# INSTRUCTIONS

-J04149

REV. 2006-06-19

## BACKREST PAD KIT

### GENERAL

#### Kit Number

52631-07

#### Models

This kit is designed to fit 2007 FXSTC models equipped with an accessory Two-up Fender Mount Seat. Also fits 2007 and later FLSTF, and 2006 and later FXST, FXSTB and FXSTS models equipped with FXSTC original equipment equipment sissy bar upright (51849-07).

#### Kit Contents

See Figure 1 and Table 1.

### INSTALLATION

1. With your hand, feel through the backrest material to locate the mounting holes.
2. Carefully cut the clear plastic rain seal away from the screw holes in the backrest pad to prevent the plastic from catching in the screw threads.
3. See Figure 1. Secure the backrest to the sissy bar upright using the screws from the kit.
4. Tighten the screws to 35-60 **in-lbs.** (4-7 Nm).

### SERVICE PARTS

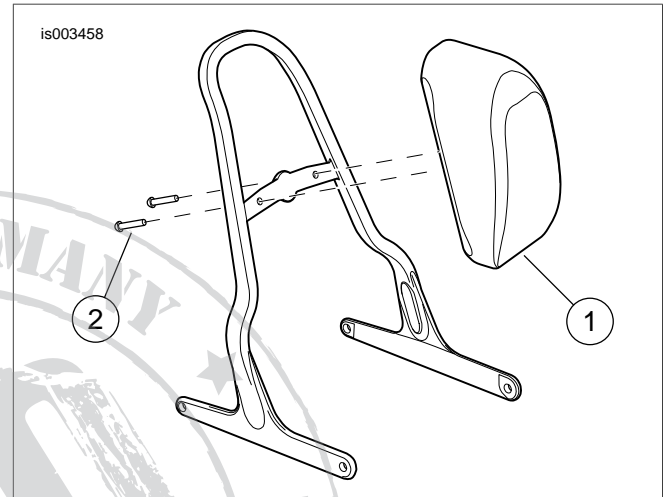


Figure 1. Service Parts: Backrest Pad Kit

Table 1. Service Parts

Item	Description (Quantity)	Part Number
1	Backrest pad	Not Sold Separately
2	Screw, Button head (2)	94385-92T