



# INSTRUCTIONS

-J04734

REV. 2008-05-13

## RIDER BACKREST MOUNTING HARDWARE KIT

### GENERAL

#### Kit Number

52587-09

#### Models

For model fitment information, see the P&A Retail Catalog or the Parts and Accessories section of [www.harley-davidson.com](http://www.harley-davidson.com) (English only).

#### Additional Parts Required

### WARNING

The rider's safety depends upon the correct installation of this kit. Use the appropriate service manual procedures. If the procedure is not within your capabilities or you do not have the correct tools, have a Harley-Davidson dealer perform the installation. Improper installation of this kit could result in death or serious injury. (00333a)

#### NOTE

This instruction sheet references service manual information. A service manual for your model motorcycle is available from a Harley-Davidson dealer.

#### Kit Contents

See Figure 4 and Table 1.

### INSTALLATION

1. **1988-1990 models:** Remove saddlebag covers from both sides of vehicle.
2. Remove seat mounting bolt(s), one for 1991-later and two for 1988-1990 models. Note hardware sequence for assembly.
3. Remove seat according to the instructions in the service manual.
4. Remove and discard two bolts securing handrail mounting plate to rear fender.

#### NOTE

Check nut threads in fender. Some 1994 and later models have coarse threads (5/16-18). Make sure the 5/16-18 x 7/8 inch bolts are used in these applications. Attempting to use fine thread bolts (5/16-24) in coarse holes or coarse thread bolts in fine thread holes will damage threads in holes and on bolts.

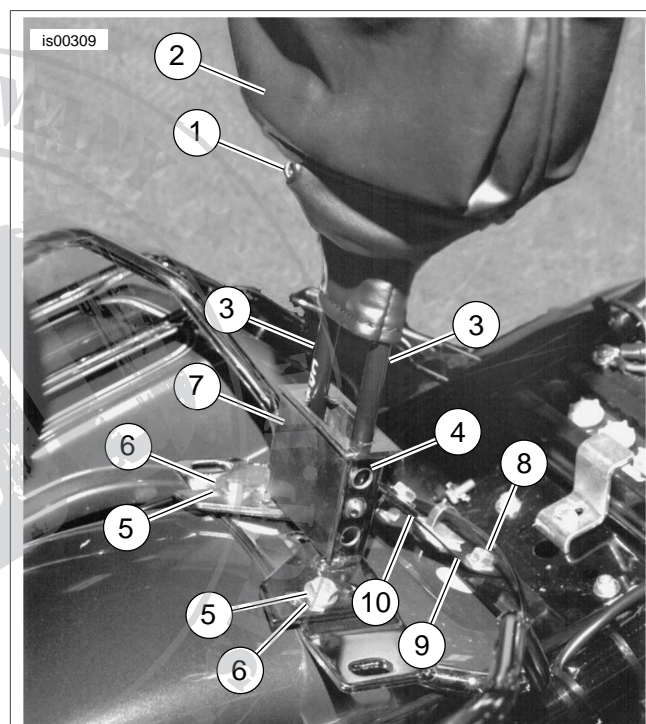
5. **1998 and earlier models:** See Figure 1. Obtain two 5/16-24 x 7/8 inch bolts (5) (or 5/16-18 x 7/8 inch bolts on some 1994 and later models). Add one flat washer (6) and one lockwasher (6) to each bolt.

**1999 models:** Continue with Step 6. These models will not use Items 5 or 6.

6. Position backrest mounting bracket (7), with tab toward front of vehicle, over holes in handrail mounting plate.

#### NOTE

See Figure 3. Four holes are provided in each side of backrest mounting bracket for adjustment purposes. Use set of holes best suited for riding position and seat.



1. Allen screw
2. Backrest
3. Backrest rod
4. Adjustment holes (3)
5. Bolt, 5/16-24 x 7/8 in.
6. Flat washer and lockwasher
7. Backrest mounting bracket
8. Stock bolt, nut, and lockwasher (1996 and earlier)
9. Bracket support
10. Flanged nut and bolt

Figure 1. Typical Backrest Mounting and Adjustment

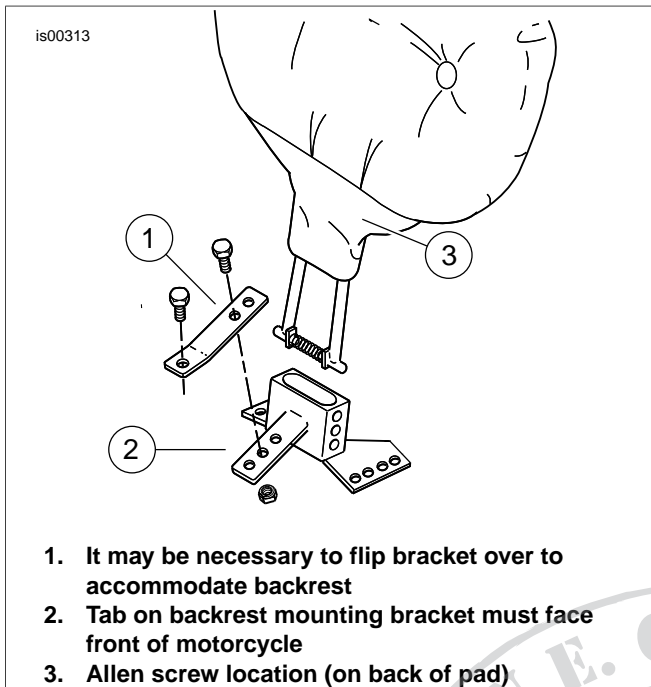


Figure 2. Backrest Support and Bracket Position

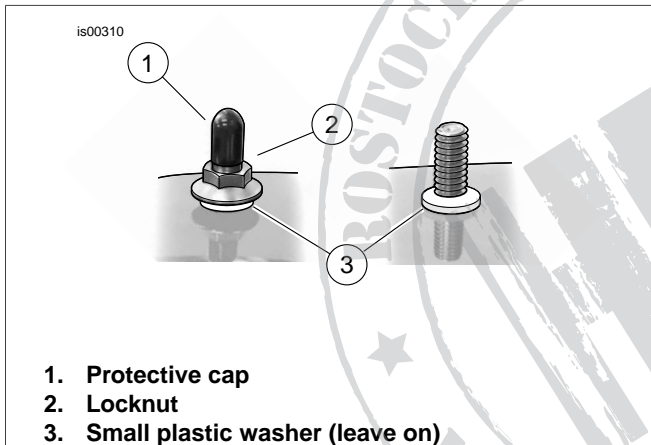


Figure 3. Leave Bottom Washer Attached (1999 Models)

7. **1997 and 1998 FLTR models without handrail:** Place large 1-1/8 inch OD washers under backrest mounting bracket and secure with 5/16-18 x 7/8 inch bolts and washers. Tighten bolts to 19 ft-lbs (25 Nm).  
**1998 and earlier models:** Secure backrest mounting bracket and handrail mounting plate to rear fender with hardware previously removed. Tighten bolts to 19 ft-lbs (25 Nm).

**1999 to 2008 models:** See Figure 4. Remove plastic protective cap and locknut from stud. *Leave the small plastic washer in place or the stud plate will fall out.* Attach the backrest mounting bracket to stud plate with stock locknuts from stud plate.

*If the stud plate should fall down:* slip a piece of common battery vent tube through the hole in the fender. Attach the tube to one of the studs. Pull the tube up and maneuver the stud plate back into place. Secure with the small plastic washers. Removing the rear wheel may ease the installation of the stud plate. See service manual for instructions to remove and install rear wheels.

8. **1996 and earlier models:** See Figure 1. Remove stock bolt, nut, and lockwasher (8) securing rear fender to frame member. Use this nut, lockwasher and bolt to attach backrest mounting bracket support (9) to frame member.

**1997 to 2008 models:** See Figure 4. Slip clip nut over center hole of frame cross member behind battery. Attach bracket support (5) to frame cross member by installing 1/4-20 x 1/2 inch bolt (12) through hole in bracket support (5) and threading bolt into clip nut (11). Tighten bolt securely.

9. Bend bracket support (5) up to meet tab on backrest mounting bracket. *In some cases, it will be necessary to flip the bracket support over to accommodate the backrest.* Attach support to backrest mounting bracket with flange bolt (9) and flange nut (10) through hole in support that lines up with hole in backrest mounting bracket. Tighten securely.
10. Install the seat and saddlebag covers.

**WARNING**

**After installing seat, pull upward on seat to be sure it is locked in position. While riding, a loose seat can shift causing loss of control, which could result in death or serious injury. (00070b)**

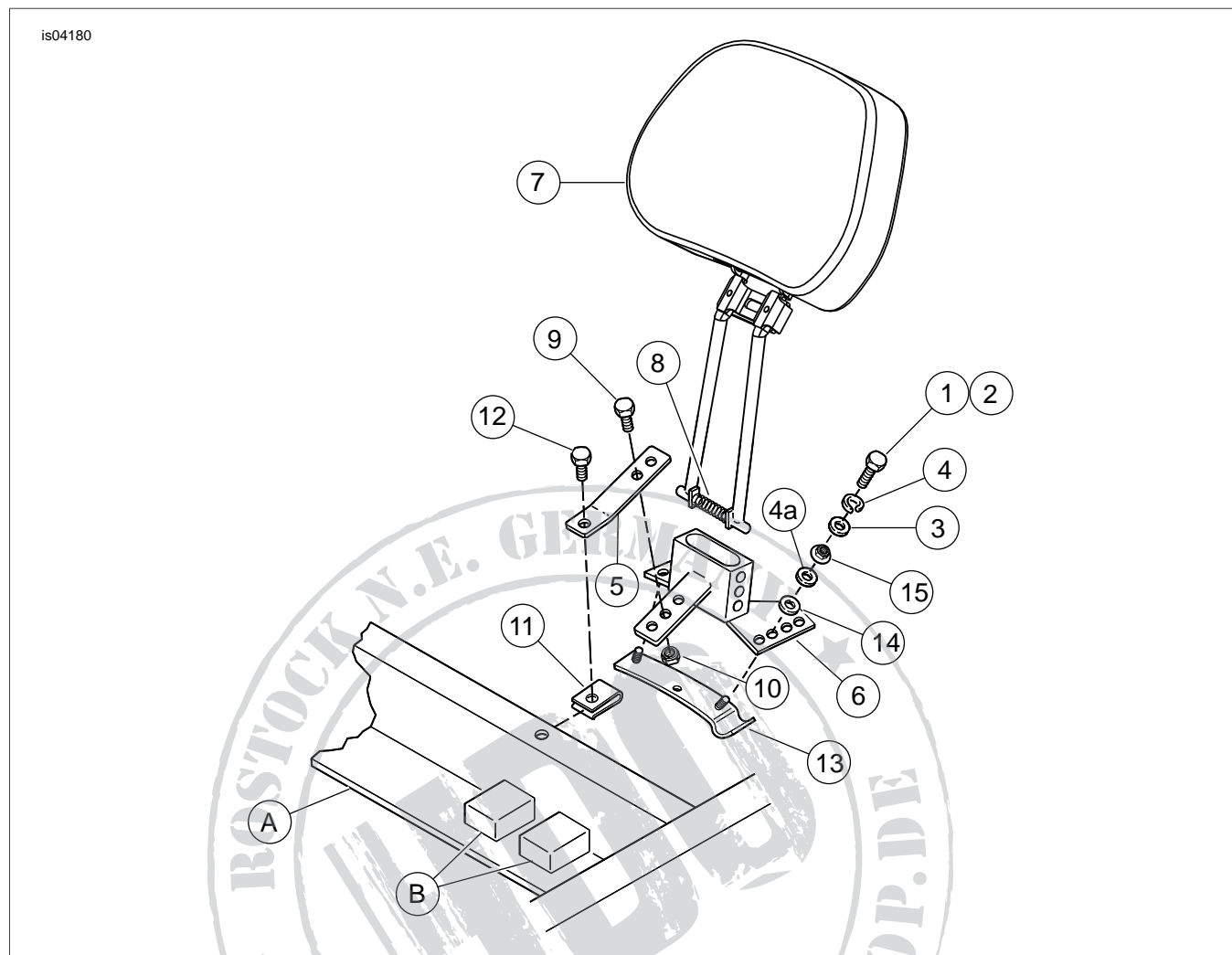
11. See Figure 4. Hold slit between rider and passenger seat open. On rider backrest, compress backrest rods and spring. Insert rods into backrest mounting bracket.
12. See Figure 1. Adjust fore/aft position of backrest pad. Use 3/16 inch hex wrench to adjust set screw (1) that is accessible through eyelet opening on rear of pad. *If possible, do not remove the set screw since it is difficult to install.*

**NOTE**

*Some seats may limit the fore/aft mounting location of the backrest bracket.*

# SERVICE PARTS

is04180



**Figure 4. Service Parts: Rider Backrest Kits**

**Table 1. Service Parts: Rider Backrest Kits**

Item	Description (Quantity)	Part Number	Item	Description (Quantity)	Part Number
Items 1-4 used on 1998 and earlier models only.			9	Flange bolt, 5/16-18 x 5/8 in.	3546
1	Bolt, 5/16-18 x 7/8 in. (2)	3991	10	Flange nut, 5/16-18	7531
2	Bolt, 5/16-24 x 7/8 in. (2)	3996	Items 11 and 12 are used on 1997 to 2008 models only.		
3	Washer, flat 5/16 (2)	6702	11	Clip nut	8108
4	Lockwasher, 5/16 (2)	7041	12	Bolt, 1/4-20 x 1/2 in.	3728
Item 4a used on 1997 and 1998 FLHR models without handrail only.			Items 13-15 are stock on 1999 and later models and are not included in kit. These items are available as Service Parts.		
4a	Washer, flat 1/2 in. (2)	Not Sold Separately	13	Stud plate (stock) on 1999 to 2008 models only	59174-99
5	Bracket support	52585-09	14	Washer, retaining (stock) on 1999 to 2008 models only	7434
6	Backrest bracket	52567-93C	15	Seat nut (stock) on 1999 to 2006 models only	3638
7	Backrest	Sold As Separate Kit	A	Frame cross member (1997 to 2008 only)	
8	Spring	10406	B	Relays (1997 to 2008 only)	