



# INSTRUCTIONS

-J01318

REV. 3-9-01

Kit Number 52527-01, 52531-01

## STAMPED MINI AND SHORT BACKREST KITS

### General

These Stamped Backrest kits are designed for installation on all vehicles with Mini and Short sissy bar uprights.

**Kit Number 52527-01** is only for models equipped with a Mini sissy bar upright.

**Kit Number 52531-01** is only for models equipped with a Short sissy bar upright.

See Service Parts illustration for kit contents.

2. Install backing plate (2) with 1/4 inch x .50 long screws (4) supplied with kit through mounting bracket and into backrest. Tighten screws to 7 ft-lbs (9.5 Nm).
3. Position stamped cover (1) so tabs and cover are slightly below notches in backing plate. Slide stamped cover (1) into position by sliding upwards until cover locks in position.
4. Install two #8 screws (3) through bottom of stamped cover (1) and then into backing plate (2). Tighten screws to 18-24 **in-lbs** (2.0 to 2.7 Nm).

### Installation

1. Remove stock chrome backrest bracket. Discard hardware.



## Service Parts

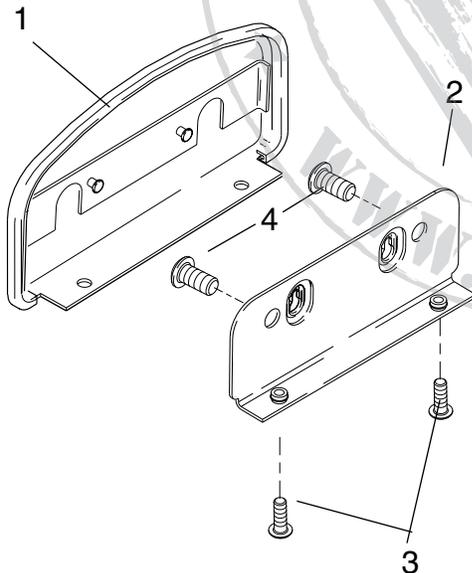
Part No. 52527-01, 52531-01

3/01

Stamped Mini and Short Backrest Kits

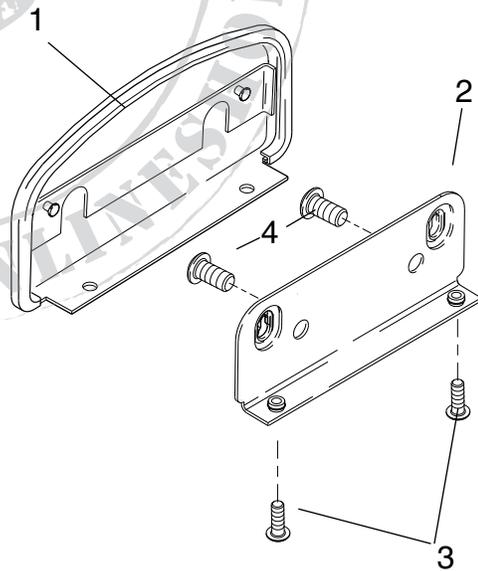
i03593.eps

Kit Number 52527-01



Kit Number 52531-01

i03594.eps



Item	Description
1	Stamped cover
2	Backing plate
3	Screw, #8 x .50 long (2)
4	Screw, 1/4 inch x .50 long (2)

Part No.	Description
Not sold separately	Stamped cover
Not sold separately	Backing plate
94378-92T	Screw, #8 x .50 long (2)
94407-94T	Screw, 1/4 inch x .50 long (2)