



INSTRUCTIONS

-J00226

REV. 2004-05-05

SHORT RAIL BACKREST PADS

GENERAL

Kit Number

See Below

Models

This Instruction Sheet applies to Short Rail and Mini Rail Backrest Pad kits.

Table 1. Models

Kits	Models
52085-98	Softail Custom Bucket Seat
52496-94	1995 Special
52497-94	Bad Boy
52514-94	FAT BOY® FLSTF
52516-94	HERITAGE FLSTC
52517-94	SPRINGER® FXSTS, XL 1200 Custom
52518-94	Pillow Look
52648-96	XL 1200 Sport
52513-94	Badlander (With Mini Rail uprights)
52670-96	XL seat with embroidered Bar and Shield logo
52992-98	XL 1200 Sportster Custom
52935-97	XL and Dyna Slammer Seats
52937-97	XL and Dyna Slammer Seats
53023-98	XL and Dyna Embroidered Seats
52568-01	2001 FXDWG ² (with Mini Rail upright)
52901-01	2002 FXDWG ³ (with Mini Rail upright)

Additional Parts Required

These Backrest Pad kits are designed for installation on 1984 and later models equipped with a sissy bar sideplate kit in combination with a Short Rail upright kit, Part No. 52737-94 or 52728-95.

The 52513-94 Backrest Pad kit is only for models equipped with Badlander seats and one of the following Mini Rail upright, kits: 52738-94A, 52744-94 or 51512-02.

The 52568-01 Backrest Pad Kit is designed for installation on 2001 FXDWG² model motorcycles and should be used with mini rail upright part number 52744-94 as well as the right and

left stock FXDWG Sideplates or an appropriate detachable sideplate kit.

The 52901-01 Backrest Pad Kit is designed for installation on 2002 FXDWG³ model motorcycles and should be used with mini rail upright part number 51512-02 as well as the right and left stock FXDWG Sideplates or an appropriate detachable sideplate kit.

Kit Contents

See Figure 3 and Table 2.

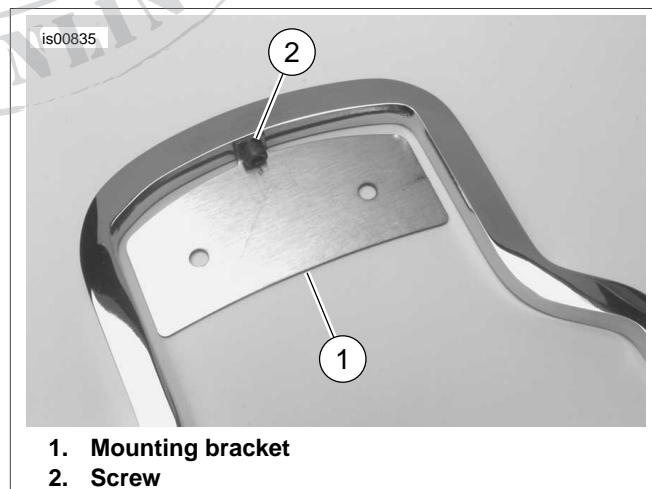
There are no Service Parts available with this kit.

INSTALLATION

NOTE

Figures 1 and 2 show pad being mounted on short upright, Part No. 52737-94, before short upright is mounted on sideplates. The pad may be installed before or after short upright is mounted.

- See Figure 1. Remove protective film from mounting bracket (1) and attach the mounting bracket with the 1/4-28 x 3/8 in. screw (2) onto short upright, Part No. 52737-94 or 52728-95; or onto Mini Rail upright, Part No. 52738-94 or 52744-94. Check that mounting bracket is parallel with upright and tighten screw to 48-60 **in-lbs** (5.4-6.8 Nm).
- See Figure 2. Position backrest pad (1) on the upright. Place mounting plate (2) in position and secure with two chrome screws (3) as shown. Tighten screws to 48-60 **in-lbs** (5.4-6.8 Nm)



- Mounting bracket
- Screw

Figure 1. Mounting Bracket Installed

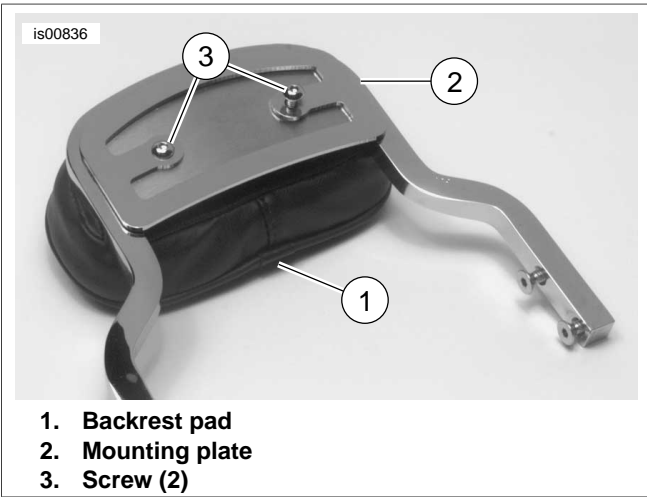


Figure 2. Pad and Mounting Plate Installed

SERVICE PARTS

See Figure 3 and Table 2.

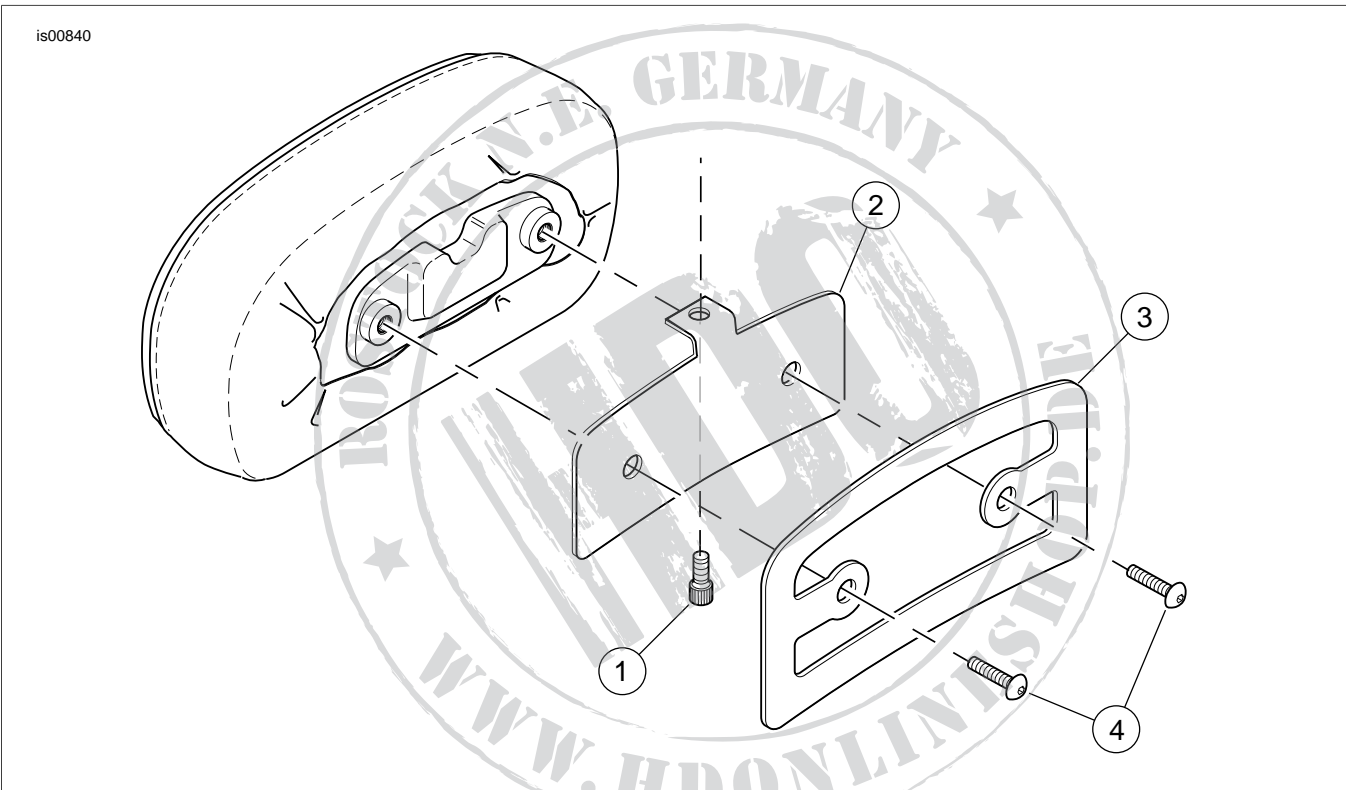


Figure 3. Service Parts: Short Rail & Mini Rail Backrest Pad Kits

Table 2. Service Parts Table

Item	Description (Quantity)	Part Number	Item	Description (Quantity)	Part Number
1	Screw, 1/4-28 x 3/8 in.	896	3	Plate, mounting	52813-94
2	Mounting bracket	52745-94		Plate, mounting, BADLANDER, FXDWG ² and FXDWG ³	52753-94
	Mounting bracket, BADLANDER, FXDWG ² and FXDWG ³	52809-94	4	Screw, button head, chrome (2)	94386-92T