



INSTRUCTIONS

-J01795

REV.5-5-03

Kit Numbers 51548-01A, 52461-00A and 52463-00A

SOFTAIL DEUCE CUSTOM SEATS

General

These seats are designed for installation on 2000 and later Softail Deuce model motorcycles.

NOTE

See the Service Parts Illustration below for a list of the kit contents.

NOTE

A Service Manual for your vehicle is available from your Harley-Davidson Dealer.

Installation

CAUTION

When performing the following procedures, be careful not to scratch painted surfaces (fender, tank, etc.) with metal tabs on seat.

1. Refer to the Owner's Manual. Remove existing seat from motorcycle by removing screw from rear seat bracket and unhooking front seat tab. Slide seat forward through the grab strap.

2. Remove the stock grab strap and hardware. Retain the hardware to install the new grab strap.
3. See the Service Parts Illustration. Install the new grab strap (1) as shown using the hardware retained in Step 2.
4. Remove the seat bracket and screws from the existing seat. Save the seat bracket for installation onto the new seat. Discard the screws.
5. Install the seat bracket onto the new seat (2) using screws (3) and washers (4) from kit as shown.

WARNING

After installing seat, pull upward on front of seat to be sure it is in locked position. While riding, a loose seat can shift causing loss of control, which could result in death or serious injury. (00070a)

6. Slide the rear of the new seat through the grab strap.
7. Hook the front tab of the seat into the frame and secure the seat bracket to the fender with the screw removed in Step 1.



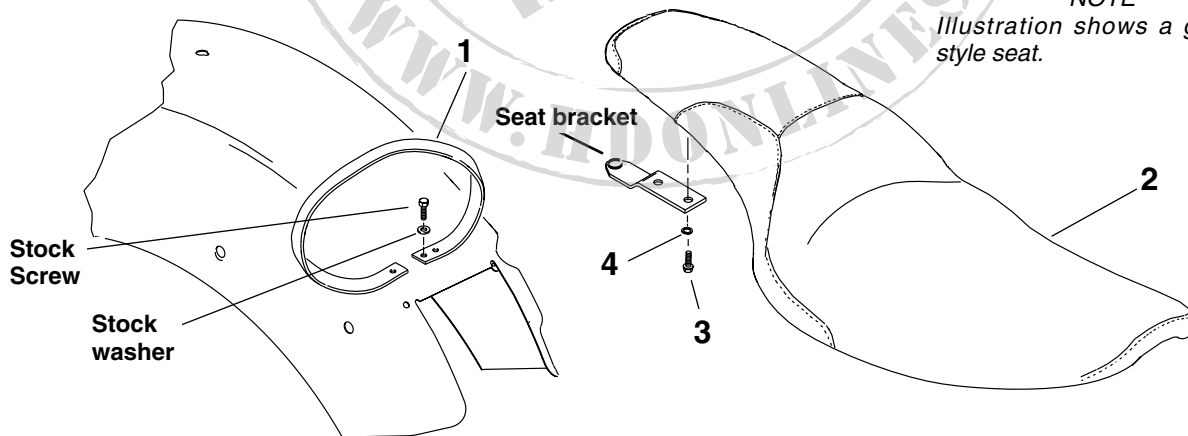
Service Parts

Part No. See above

Date 4/03

Softail Deuce Seat Kit

sp52284e



Item	Description (Quantity)	Part Number	Item	Description (Quantity)	Part Number
1	Grab Strap	51187-94A	3	Screws, 1/4-20 X 1/2 in (2)	4365
2	Seat	Not Sold	4	Lockwashers, 1/4 in.(2)	7036