



INSTRUCTIONS

-J00733

REV. 1-17-97

Kit Number 52447-96

FLHT TRIM PIECE

General

This kit is designed for use on 1994 and later FLHT model motorcycles, with one of the following seats: part number 52059-97, 52066-97, 52067-97, 52298-94A, 52585-94, 52632-95, 52759-94.

See Service Parts below for kit contents.

4. Install new seat according to kit instructions.

⚠WARNING

After installation of seat, pull upward on front of seat to make certain that the front of the seat is locked in position. If seat is loose it could rotate, startle rider, possibly causing loss of control and personal injury.

Installation

NOTE

A Service Manual for your vehicle is available from your Harley Davidson Dealer.

1. See Figure 1. Remove existing seat from motorcycle according to Service Manual Instructions. Remove screw from area shown.
2. See Service Parts Illustration. Pull off small foam piece located on underside of the trim piece (1), behind screw (3). This foam is used for shipping purposes only.
3. See Figure 1. Put trim piece in place, with screw (3) in existing hole in console. Tighten screw so that trim piece is securely fastened to the console.

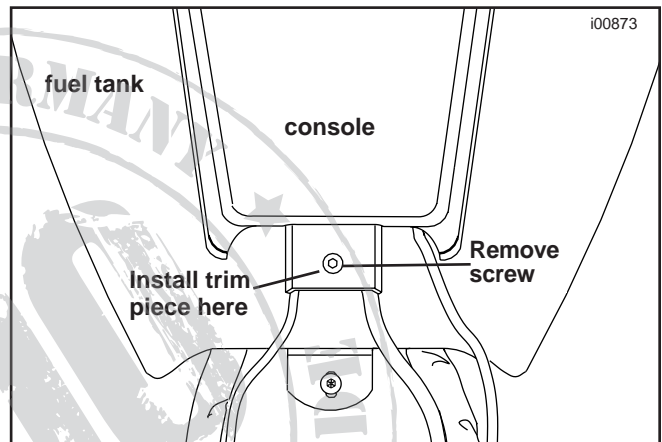


Figure 1. Trim piece installation



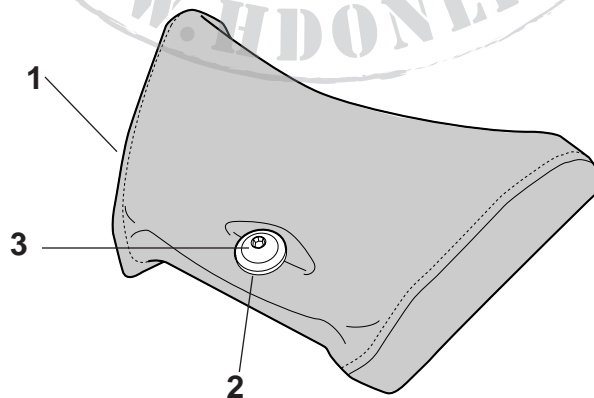
Service Parts

Part No. 52447-96

Date 1-97

FLHT Trim Piece

SP52446



Item	Description	Part No.
1	Seat extension	52446-96
2	Guide washer	7487
3	Screw, 1/4-20x3/4 in.	923