



INSTRUCTIONS

-J00225

REV. 1-30-98

Kit Number 52412-79A

BACKREST KIT

General

This kit is designed for use on 1982 and later XL and FX model motorcycles. This kit contains the following parts:

ITEM	QTY	DESCRIPTION
1	1	Backrest
2	2	Screw, 1/4 - 20 x 5/8 in.
3	1	Screw, 1/4 - 20 x 5/8 in.
4	1	Bracket

1. Feel through the backrest material to locate mounting holes.
2. Cut holes in seat material at backrest mounting positions.
3. See Figure 1. Secure backrest to sissy bar using bracket (4) and screws (2).
4. Secure backrest to sissy bar using screw (3).
5. Tighten all screws securely.

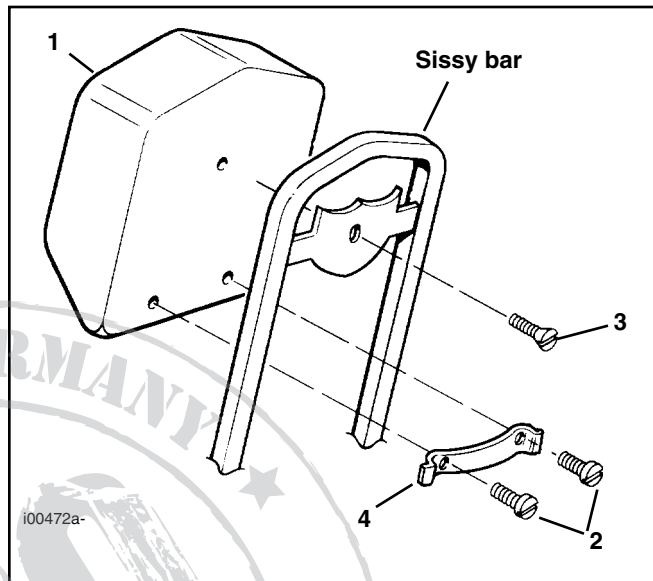


Figure 1. Backrest Assembly - Exploded View



INSTRUCTIONS

-J00225

REV. 1-30-98

Kit Number 52412-79A

BACKREST KIT

General

This kit is designed for use on 1982 and later XL and FX model motorcycles. This kit contains the following parts:

ITEM	QTY	DESCRIPTION
1	1	Backrest
2	2	Screw, 1/4 - 20 x 5/8 in.
3	1	Screw, 1/4 - 20 x 5/8 in.
4	1	Bracket

1. Feel through the backrest material to locate mounting holes.
2. Cut holes in seat material at backrest mounting positions.
3. See Figure 1. Secure backrest to sissy bar using bracket (4) and screws (2).
4. Secure backrest to sissy bar using screw (3).
5. Tighten all screws securely.

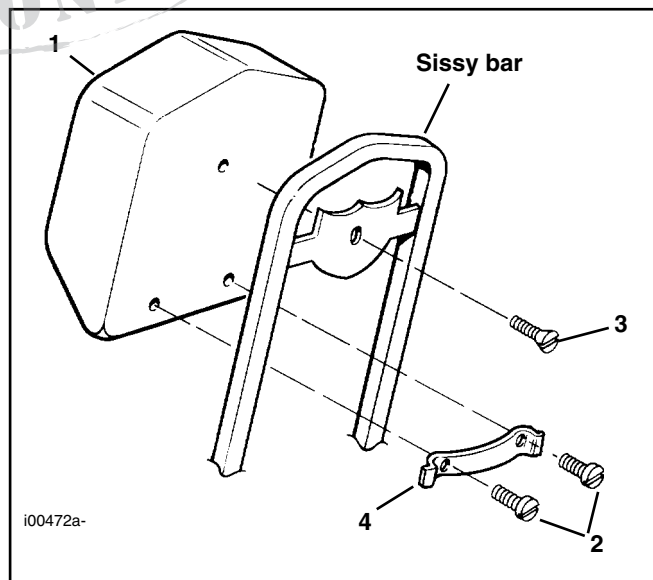


Figure 1. Backrest Assembly - Exploded View