



# INSTRUCTIONS

-J05436

2015-04-24

## TOURING PILLION

### GENERAL

#### Kit Number

52400040, 52400140, 52400141

#### Models

For model fitment information, see the P&A retail catalog or the Parts and Accessories section of [www.harley-davidson.com](http://www.harley-davidson.com) (English only).

#### ⚠ WARNING

The rider's safety depends upon the correct installation of this kit. Use the appropriate service manual procedures. If the procedure is not within your capabilities or you do not have the correct tools, have a Harley-Davidson dealer perform the installation. Improper installation of this kit could result in death or serious injury. (00333a)

**QUESTION FOR ENGINEERING: No reference to service manual in procedures. Use instead...?**

#### ⚠ WARNING

The rider's safety depends upon the correct installation of this kit. If the procedure is not within your capabilities or you do not have the correct tools, have a Harley-Davidson dealer perform the installation. Improper installation of this kit could result in death or serious injury. (00308a)

#### Kit Contents

See Figure 1 and Table 1.

### INSTALLATION

#### Install Pillion

1. See Figure 1. If installed, remove seat mounting nuts (B) and solo seat (A).
2. Install grab strap (2) onto the studs where seat mounting nuts were removed.
3. Install solo seat (A) and seat mounting nuts (B) over the grab straps.
4. Install touring pillion, through the grab strap (2), to the seat mounting nuts:
  - a. Slide two slots in pillion base into grooves on the seat mounting nuts.

#### NOTE

If original equipment (OE) seat mounting hardware is unavailable, a Detachable Seat Hardware Kit (Part No. 51676-97A) is available for separate purchase.

- b. Verify that tab at front of seat engages the slot.

#### ⚠ WARNING

After installing seat, pull upward on seat to be sure it is locked in position. While riding, a loose seat can shift causing loss of control, which could result in death or serious injury. (00070b)

5. Secure rear of pillion to the fender using the seat mounting hardware (C) from the OE two-up seat.

#### Remove Pillion

1. See Figure 1. Remove seat mounting hardware (C) at rear of pillion.
2. Pull pillion (1) to the rear to disengage from seat mounting nuts.
3. If necessary, remove seat mounting nuts (B) and solo seat (A). Remove grab strap (2).

#### ⚠ WARNING

After installing seat, pull upward on seat to be sure it is locked in position. While riding, a loose seat can shift causing loss of control, which could result in death or serious injury. (00070b)

4. Install solo seat and seat mounting nuts over studs. Verify that tab at front of seat engages slot in frame.
5. Cover seat mounting nuts with leather flap at rear of seat.
6. Remove chrome cap (4) from bottom of pillion. Install cap into pillion mounting hole in fender.



## SERVICE PARTS

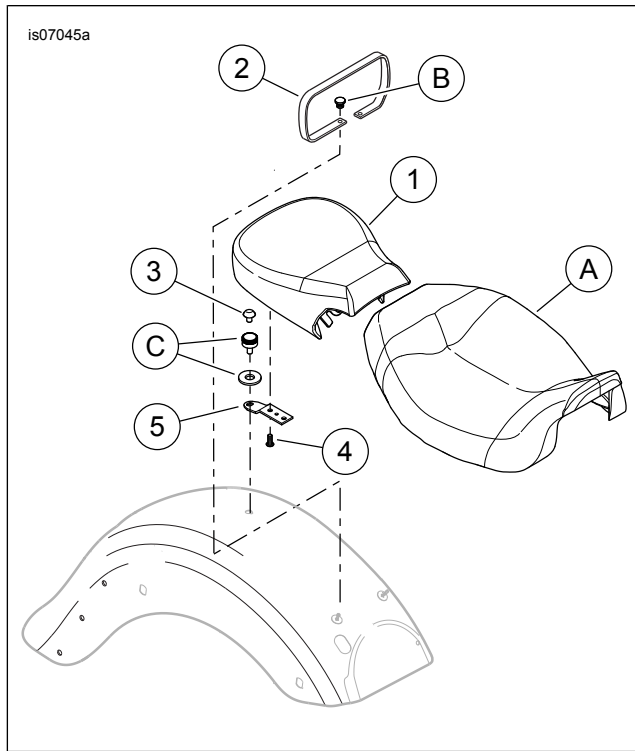


Figure 1. Service Parts: Touring Pillion

Table 1. Service Parts

Item	Description (Quantity)	Part Number
1	Pillion	Not sold separately
2	Grab strap (for Kit 52400040)	52400027
	Grab strap (for Kit 52400140)	52400036
	Grab strap (for Kit 52400141)	52400035
3	Cap, plastic (chrome)	762
4	Screw, TORX, 1/4-20 x 16 mm (0.62 in) long (2)	941
5	Bracket, seat mounting	51652-97A
<b>Items mentioned in text, but not included in kit.</b>		
A	Solo seat	
B	Seat mounting nut (2)	3633
C	Seat mounting hardware	51676-97A