



INSTRUCTIONS

-J05673

2014-05-09

TOURING PASSENGER ARMRESTS

GENERAL

Kit Number

52400073

Models

For model fitment information, see the P&A retail catalog or the Parts and Accessories section of www.harley-davidson.com (English only).

Installation Requirements

Electrical Contact Lube (H-D Part No. 11300004) or equivalent is required for the proper installation of this kit. This item is available from a Harley-Davidson dealer.

Kit Contents

See Figure 2 and Table 1.

PREPARATION

▲ WARNING

To prevent accidental vehicle start-up, which could cause death or serious injury, remove main fuse before proceeding. (00251b)

NOTE

- **WITH security siren:** With security fob present, turn ignition switch ON. See the owner's manual. After system is disarmed, turn ignition switch OFF. **IMMEDIATELY** remove the main fuse.
- **WITHOUT security siren:** See the owner's manual. Remove the main fuse.

INSTALLATION

1. See Figure 1. Separate the Tour-Pak[®] electrical connectors.
2. Remove and discard the four flange nuts underneath (and washers if present) that secure the Tour-Pak to the support.
3. Remove the Tour-Pak assembly.

NOTE

Tour-Pak must be in rearmost position when passenger armrests are installed. See the owner's manual.

4. See Figure 2. Place the armrest support plate (1) onto the Tour-Pak support. Align the four mounting holes.
5. Install the Tour-Pak assembly in the rearmost position. Secure with the four **new** flange nuts (2) from the kit. Tighten to 10.8–13.6 N·m (96–120 **in-lbs**).

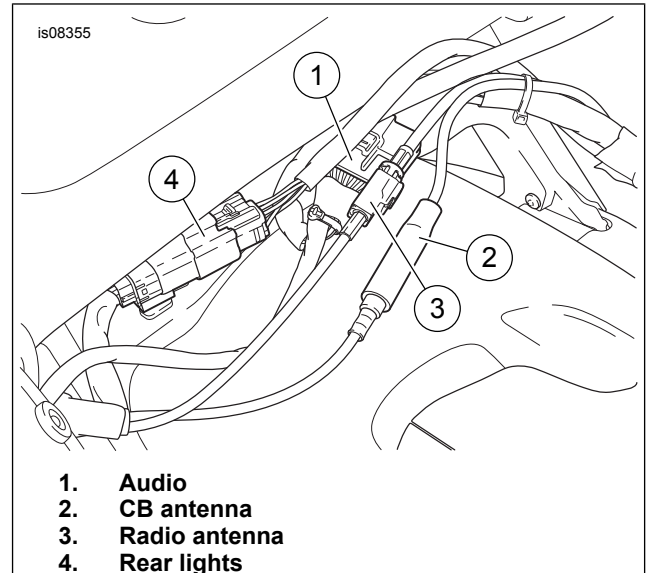


Figure 1. Tour-Pak Connectors

NOTE

The armrest assemblies are side-specific. The left knuckle bar (B) is marked "L", the right bar is marked "R".

6. Anchor the Tour-Pak electrical connectors to the armrest support structure holes (A). Plug in the vehicle connectors.

NOTE

The armrest pads are side-specific. The underside of the pad is marked "L" (left) or "R" (right). In addition, the left armrest pad (7) has an operation label (8) under the lid.

7. Get one armrest assembly (Item 4 or 5) from the kit. Slide the knuckle bar (B) into the correct-side channel (C) until the detent (D) is under the set screw hole. Insert the set screw. Tighten to 16.3 N·m (12 ft-lbs).
8. Get the correct armrest pad (Item 6 or 7) from the kit. Apply Electrical Contact Lube (H-D Part No. 11300004) to the linear bearing (14) before installation.
9. Install the pad assembly by carefully pushing the pin on the underside into the armrest. A slight back-and-forth rotation of the pad helps get the bearing surface into the armrest receptacle.
10. Repeat Steps 7-9 for the remaining armrest.

COMPLETION

NOTE

To prevent possible damage to the sound system, verify that the ignition key switch is OFF **before** installing the main fuse.

-J05673



Many Harley-Davidson[®] Parts & Accessories are made of plastics and metals which can be recycled. Please dispose of materials responsibly.

1 / 2

1. See the owner's manual. Install the main fuse.

IN USE

NOTE

Do not use armrest for mounting or dismounting motorcycle.

Check armrest torque (rotational resistance) every service interval. Tighten bolt (10) to 13.5 N·m (10 ft-lbs).

A service hardware kit (9) is available if adequate resistance cannot be achieved due to normal wear of rotating parts. When installing, apply Loctite® 243 (blue) to only the threads

of the shoulder bolt. Apply electrical contact lube (Part No. 11300004) to the shoulder bolt shaft and other rotating contact surfaces. Tighten bolt to 13.5 N·m (10 ft-lbs).

If arms are loose after being tightened to torque specification, disassemble and realign disc spring support structure bushing and top hat. When properly installed, arms will show some resistance when rotated around shoulder screw.

The pad assembly will loosen over time through normal use. A replacement linear bearing (Part No. 12600089) (14) and an O-ring service kit (Part No. 11900037) (15) are available from a Harley-Davidson dealer.

SERVICE PARTS

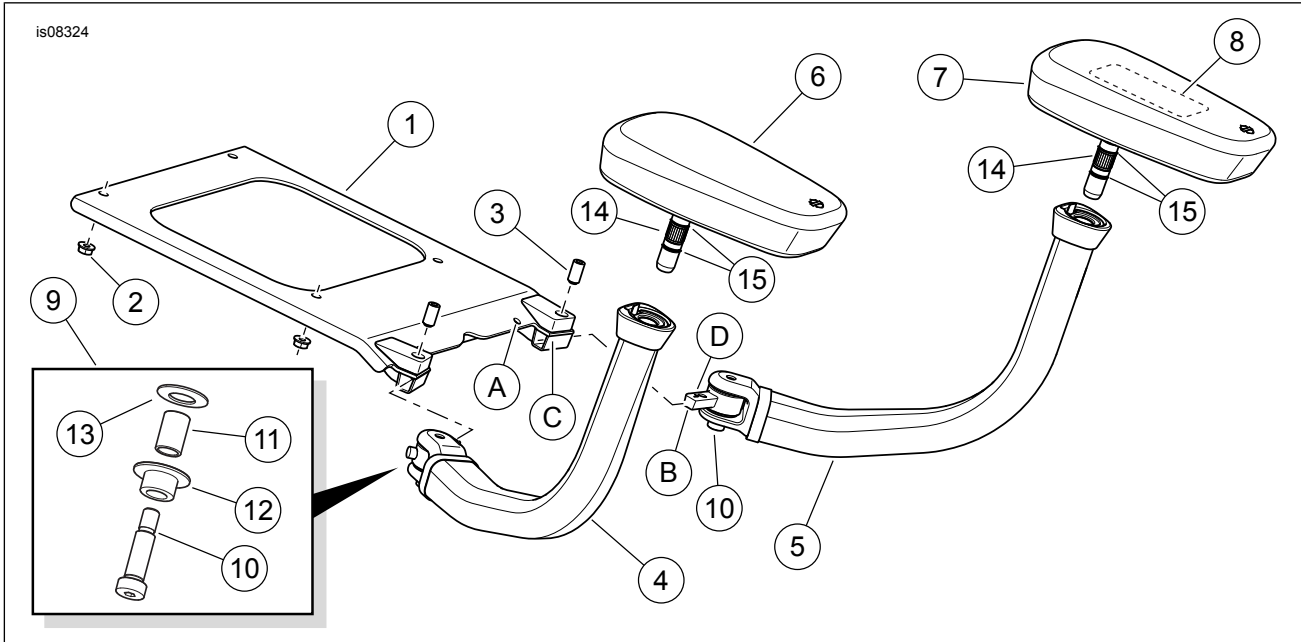


Figure 2. Service Parts, Touring Passenger Armrests

Table 1. Service Parts

Item	Description (Quantity)	Part Number
1	Passenger armrest support plate	Not sold separately
2	Hex flange nut, locking (4)	7716
3	Set screw, with lock (2)	10200317
4	Passenger armrest assembly (right)	52400079
5	Passenger armrest assembly (left)	52400080
6	Passenger armrest pad (right)	52400044
7	Passenger armrest pad (left). Includes item 8.	52400045
8	• Label, armrest operation	Not sold separately
9	Service hardware kit (includes items 10-13)	91800054
10	• Shoulder bolt	10200228
11	• Bushing	11000087
12	• Compression "top hat"	Not sold separately
13	• Belleville disc spring	Not sold separately
14	Linear bearing (2)	12600089
15	O-ring service kit ((includes two O-rings)	11900037
Items mentioned in text, but not included in kit:		
A	Armrest support structure hole (2)	
B	Knuckle bar	
C	Armrest side channel	
D	Detent	