



INSTRUCTIONS

-J05429

2011-09-16

PASSENGER PILLION SEAT KIT

GENERAL

Kit Number

52400039

Models

For model fitment information, see the P&A Retail Catalog or the Parts and Accessories section of www.harley-davidson.com (English only).

Additional Parts Required

⚠ WARNING

Do not install these seat kits on motorcycles that are not equipped with an appropriate grab strap and passenger footpegs. If footpegs and grab strap are not installed, passenger could fall from moving motorcycle or grab onto operator, causing loss of control and death or serious injury. (00410b)

These kits require the separate purchase of passenger footpegs (purchased separately) if installed on a vehicle originally equipped with a solo seat. See the P&A Retail Catalog or the Parts and Accessories section of www.harley-davidson.com (English only) for a list of required parts or accessories for your model.

⚠ WARNING

The rider's safety depends upon the correct installation of this kit. Use the appropriate service manual procedures. If the procedure is not within your capabilities or you do not have the correct tools, have a Harley-Davidson dealer perform the installation. Improper installation of this kit could result in death or serious injury. (00333a)

Kit Contents

See Figure 2 and Table 1.

REMOVAL

1. Cover painted surfaces with protective material to avoid damage.
2. **For Vehicles equipped with Solo Seat:** Remove rear seat mounting screw from seat and discard.
3. **For Vehicles Equipped with Two-Up seat:**
 - a. Remove rear seat mounting screw from seat. Carefully slide seat away from the tank and out of the grab strap.
 - b. Remove grab strap and mounting hardware.

INSTALLATION

NOTE

If the rear retention nut is already installed on the vehicle it must be removed to apply the protective tape. Follow the instructions below to install the nut.

1. Remove adhesive backing from protective tape. Place protective tape on the rear fender with the hole in tape aligned with rear seat mounting point on fender.

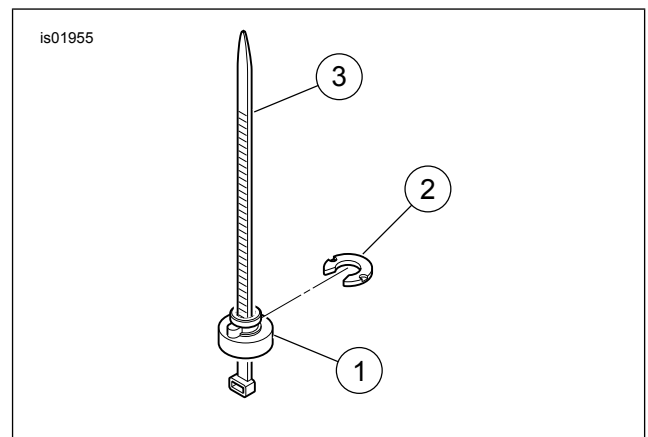


Figure 1. Installation Tool

2. See Figure 1. A retention nut and washer must be installed in the rearmost fender hole and the middle fender hole.
 - a. See Figure 1. A cable strap may be used as an installation aid to install the retention nut and washer. Place the retention nut (1) over the cable strap (3) so the wide end of the nut rests on the eye of the cable strap. Thread the cable strap up under the fender and through the appropriate fender hole. Pull up on the cable strap to hold the nut snug against the underside of the fender.
 - b. With the rib on the retention nut seated into the notch in the appropriate fender hole (see Figure 1), slide the retention washer (2) into place from the rear. This will lock the retention nut in place. Remove the cable strap.
3. Place the front mounting bracket of the pillion over the solo seat rear bracket. Place the top hat washer between the two brackets. Use a thumbscrew from the kit to secure the solo seat and front mounting bracket of the pillion to the fender.
4. Place the front pillion seat bracket on top of the hat washer. Using thumbscrew from kit, secure the front solo rider seat.



5. Using a thumbscrew from kit secure the rear mounting bracket of pillion seat to the rear mounting point on the fender.
6. Tighten both thumbscrews firmly. Peel adhesive from thumbscrew emblems firmly. Apply emblem to thumbscrew. Press firmly on emblem.
7. Pull up on the solo rider seat and the pillion to make sure seats are fully engaged.

SERVICE PARTS

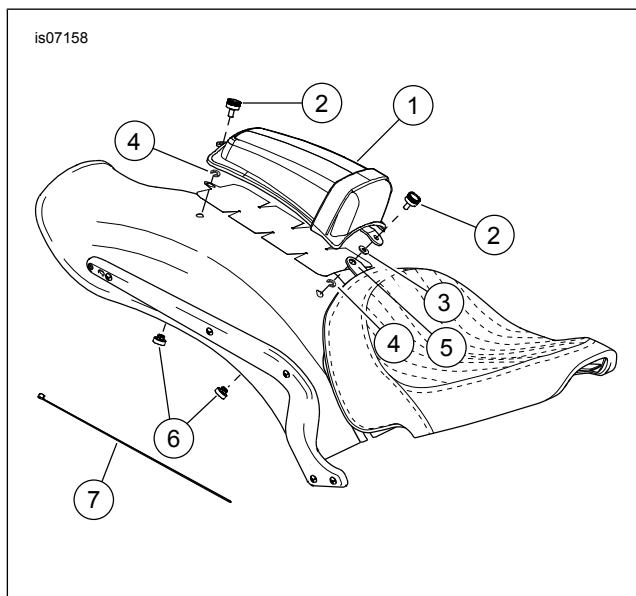


Figure 2. Service Parts: Passenger Pillion Seat Kit

Table 1. Service Parts Table

| Item | Description (Quantity) | Part Number |
|---|--|---------------------|
| 1 | Passenger pillion seat (with grab strap) | Not sold separately |
| 2 | Thumbscrew (with plastic washer) (2) | Not sold separately |
| 3 | Washer, top hat | 11895 |
| 4 | Retention washer (2) | Not Sold Separately |
| 5 | Protective tape | 11100059 |
| 6 | Retention nut | Not Sold Separately |
| 7 | Cable Strap | Not Sold Separately |
| 8 | Decorative emblem (2) (not shown) | 14628-96 |
| 9 | Grab strap | 52400059 |
| 10 | Grab strap mounting screw (2) | 940 |
| 11 | Grab strap mounting washer | 6232 |
| Items referenced in text, but not included in kit: | | |
| A | Solo rider seat | Sold separately |
| B | Seat nut kit (includes items 4 and 6) | 59768-97 |