



INSTRUCTIONS

-J06268

2015-12-15

LOW PROFILE SISSY BAR UPRIGHT FOR XL

GENERAL

Kit Number

52300403

Models

For model fitment information, see the P&A Retail Catalog or the Parts and Accessories section of www.harley-davidson.com (English only).

Installation Requirements

This kit requires the use of Loctite® 243 Threadlocker and Sealant - blue (Part Number 99642-97) which is available from a Harley-Davidson dealer.

▲ WARNING

The rider's safety depends upon the correct installation of this kit. Use the appropriate service manual procedures. If the procedure is not within your capabilities or you do not have the correct tools, have a Harley-Davidson dealer perform the installation. Improper installation of this kit could result in death or serious injury. (00333a)

NOTE

This instruction sheet references service manual information. A service manual for your model motorcycle is required for this installation. One is available from a Harley-Davidson dealer.

Kit Contents

See Figure 3 and Table 1.

INSTALLATION

1. See the service manual. Remove main fuse.
2. See the service manual. Remove seat.
3. Secure the motorcycle in a straight upright position.
4. See the service manual. Remove rear wheel.
5. See Figure 1. Remove screws (2) and nut, screw and washer (1).
6. Remove screws (2) and nut, screw and washer (1) from both sides.

NOTE

Slack in the tail lamp harness may be required to position the upright. If so, slide wire from connection point in front of the fender and through the access hole until enough slack is achieved to install upright.

7. See Figure 2. Slide cardboard (1) between the fender (3) and frame (2).

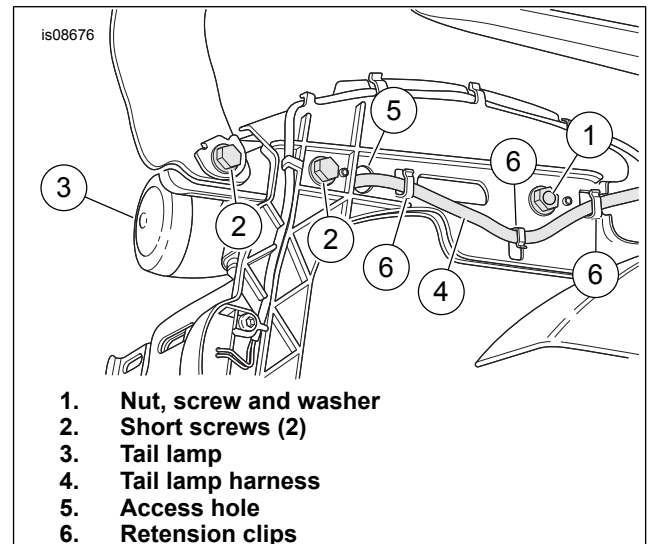


Figure 1. Screws, Harness and Access Hole (view from inside fender)

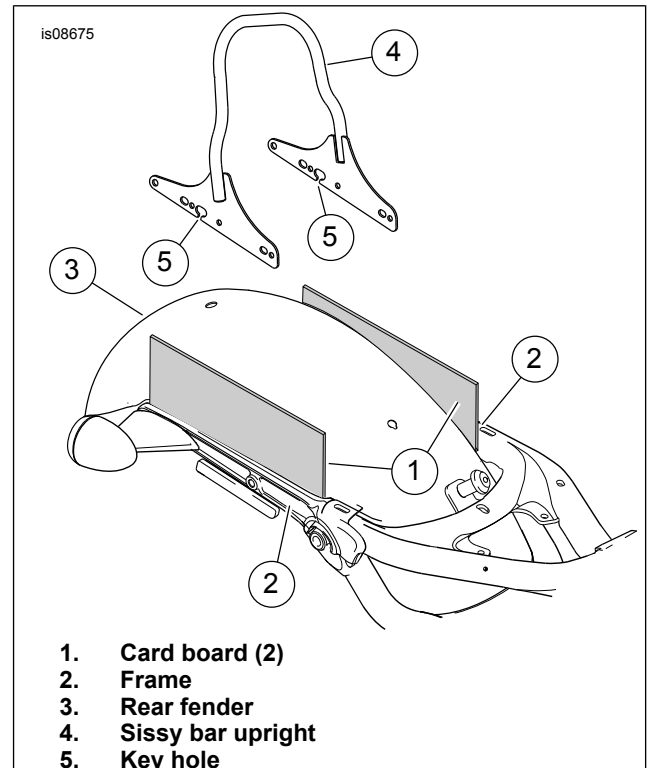


Figure 2. Cardboard, Frame, Fender, Sissy Bar and Key Hole

8. Slide the sissy bar (4) into place. The keyhole (5) is designed to slide over the tail lamp harness.

9. See Figure 1. Remove any slack in the tail lamp harness (4), if necessary. Verify that tail lamp harness is installed in retention clips (6) as shown.
10. Apply LOCTITE 243 (blue) to the threads of screw. Slide the screws (2) into place. Install nut, screw and washer (1).
11. Tighten all hardware to. 13.5–18.9 N·m (10–14 ft-lbs).
12. See the service manual. Install rear wheel.
13. See the service manual. Install seat. After installing seat, pull up on the seat to verify it is secure.
14. See the service manual. Install main fuse.
15. Turn the ignition switch to IGNITION, but do not start the engine. Test all switches and lights for proper operation.

▲ WARNING

Be sure that all lights and switches operate properly before operating motorcycle. Low visibility of rider can result in death or serious injury. (00316a)

SERVICE PARTS

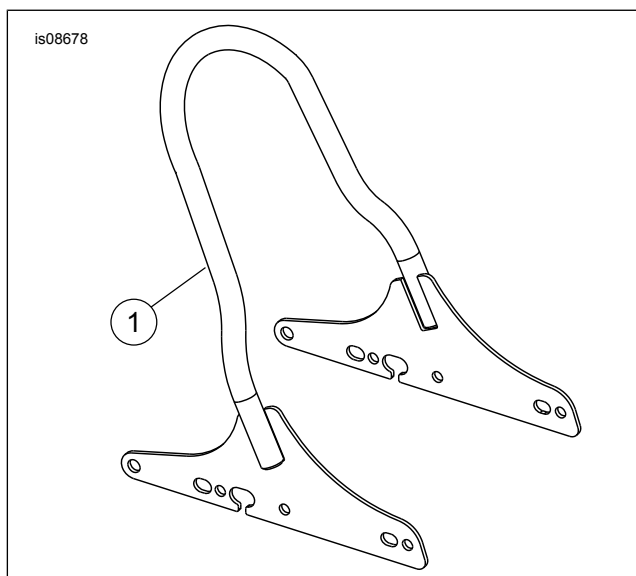


Figure 3. Service Parts: XL Sissy Bar Upright

Table 1. Service Parts Table

Item	Description (Quantity)	Part Number
1	Low Profile Sissy Bar Upright	52300403