



INSTRUCTIONS

-J00931

2014-02-05

FL BACKREST PAD KITS

GENERAL

Kit Number

51579-05A, 51633-06A, 51727-05A, 51980-08, 52555-94A, 52657-04B, 52708-97C, 52709-97C, 52886-98D, 52920-98B, 52924-98B, 52300141A, 523000028A, 52300300, 52300361

Models

For model fitment information, see the P&A Retail Catalog or the Parts and Accessories section of www.harley-davidson.com (English only).

Kit Contents

See Figure 1 and Table 1.

INSTALLATION

1. See Figure 1. If necessary, cut the plastic rain seal away from the three pre-cut screw holes (D) in the backrest pad (1) to prevent the plastic from catching in the threads.
2. **On motorcycles with Detachable Sissy Bar Upright installed: On motorcycles with Detachable Short Passenger Sissy Bar Upright installed:**
 - a. Install three long spacers (3) into the pre-cut holes in the backrest pad.
 - b. Position the backrest pad against the sissy bar upright (A).

- c. Install three long spacers (3) into the pre-cut holes in the backrest pad.
- d. Position the backrest pad against the detachable short passenger sissy bar upright (B), inserting the three spacers through the slots in the sissy bar tabs (C).

NOTE

To avoid misalignment and cross threading of the screws, start all three screws into the backrest before tightening.

3. Place the mounting bracket (2) against the spacers, so that the holes of the mounting bracket align with the spacers.

NOTE

Spacers must seat squarely against the mounting bracket.

4. Insert a screw (4) from the kit through one of the spacers, and carefully thread it 4-5 turns into the mating hole in the backrest pad. Repeat with the other two screws. **DO NOT tighten a screw until all three screws have been started.**
5. Once all three screws have been carefully started into the three holes of the backrest pad, tighten the screws to 6.8 N·m (60 in-lbs).

SERVICE PARTS

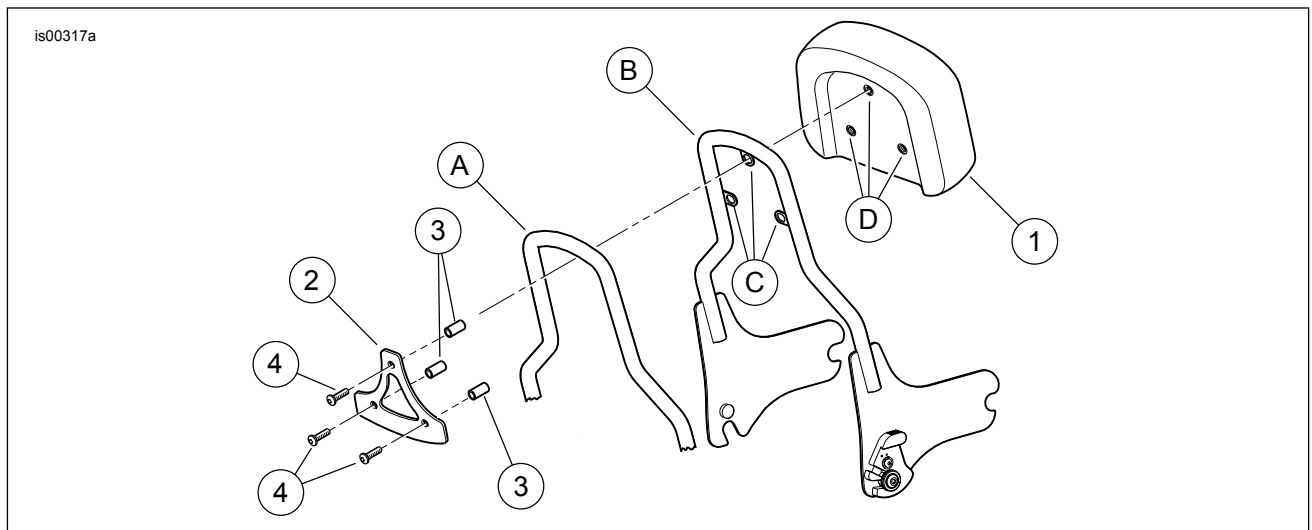


Figure 1. Service Parts: FL Backrest Pad Kits

Table 1. Service Parts Table: FL Backrest Pad Kits

Item	Description (Quantity)	Part Number	Item	Description (Quantity)	Part Number
1	Backrest pad (Generic style pad shown)	Not sold separately		Items not included in kit:	
2	Mounting bracket	52565-94	A	Detachable sissy bar upright or luggage rack (typical upright shown)	
3	Spacer, long (3)	51593-05	B	Detachable Short Passenger Sissy Bar (short upright shown)	
4	Screw, button head, hex socket 1/4-20 x 1-3/8 in.	10200202	C	Backrest mounting tabs (3)	
			D	Pre-cut screw holes (3)	