



INSTRUCTIONS

-J05651

2013-08-06

STREET UPRIGHT KIT

GENERAL

Kit Number

52300283, 52300307

Models

For model fitment information, see the P&A Retail Catalog or the Parts and Accessories section of www.harley-davidson.com (English only).

Kit Contents

See Figure 1 and Table 1.

INSTALLATION

1. See Figure 1. Remove two screws (B) from luggage rack (A).
2. Install upright (1) to luggage rack (A). Secure with two screws (2).
3. Tighten the screws to 81 N·m (60 ft-lbs).

SERVICE PARTS

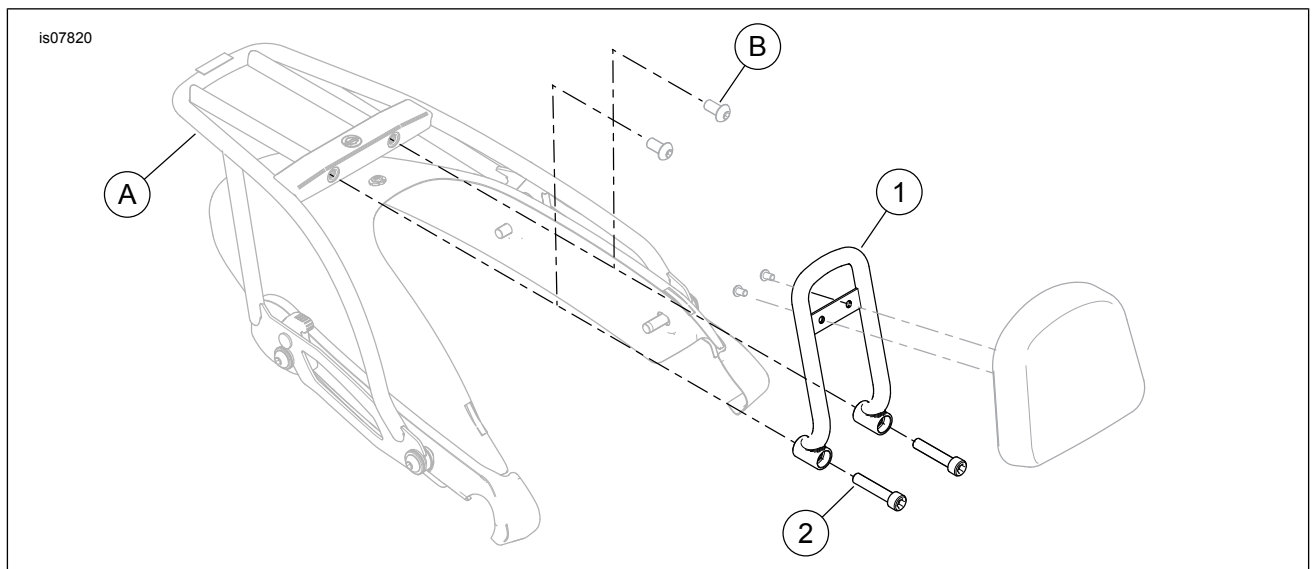


Figure 1. Service Parts: Street Upright Kit

Table 1. Service Parts Table

Item	Description (Quantity)	Part Number
1	Upright	Not Sold Separately
2	Screw (2)	10200208
Items mentioned in text, but not included in kit:		
A	Luggage Rack	
B	Screw (2)	