



INSTRUCTIONS

-J05562

2012-10-10

AIR WING DETACHABLE UPRIGHTS

GENERAL

Kit Numbers

52300146, 52300147

Models

For model fitment information, see the P&A retail catalog or the Parts and Accessories section of www.harley-davidson.com (English only).

Installation Requirements

Separate purchase of additional parts or accessories may be required for proper installation of this Detachable Upright on this model motorcycle. See the P&A retail catalog or the Parts and Accessories section of www.harley-davidson.com (English only) for a list of required parts or accessories for this model.

NOTE

The Detachable Upright can be installed on either a two-point or four-point Docking Kit.

▲ WARNING

The rider's safety depends upon the correct installation of this kit. Use the appropriate service manual procedures. If the procedure is not within your capabilities or you do not have the correct tools, have a Harley-Davidson dealer perform the installation. Improper installation of this kit could result in death or serious injury. (00333a)

NOTE

This instruction sheet refers to service manual information. A service manual for this year/model motorcycle is required for this installation and is available from a Harley-Davidson dealer.

Kit Contents

See Figure 2 and Table 1.

INSTALLATION

1. If not already in place, install the Detachable Docking Hardware Kit (either two-point or four-point) to the vehicle per the instructions in that kit.
2. See Figure 2. While standing behind the motorcycle, place the left-side and right-side front upright notches (with bushings in place) onto the docking points (A) inboard of the upper shock absorber mounts. Make sure the notch bushings (9) seat fully into the shock absorber docking points.

NOTE

After installing the upright, check to be sure it is secure. The front and rear docking points must be fully engaged. See Figure 1 for correct engagement.

3. See Figure 2, arrows (D) and (E), and Figure 1. Position the rotary latches (4) over the rear docking points (3). Check to be sure the upright sides (1) and latches fit into the neck (7) of the rear docking points as shown. This may require some gentle squeezing or spreading of the upright sides.
4. Push the rear of the upright downward and close the latches by pressing the latch lever as far forward as it will go. You will hear a "CLICK" when the latch is in place. If the latch does not easily close, do not force. Check the upright alignment again, as described in steps 2 and 3.
5. To remove the upright, press the release button (G) on each side and pull the latch levers back. Carefully lift the rear of the upright up and pull it out of the front docking points.

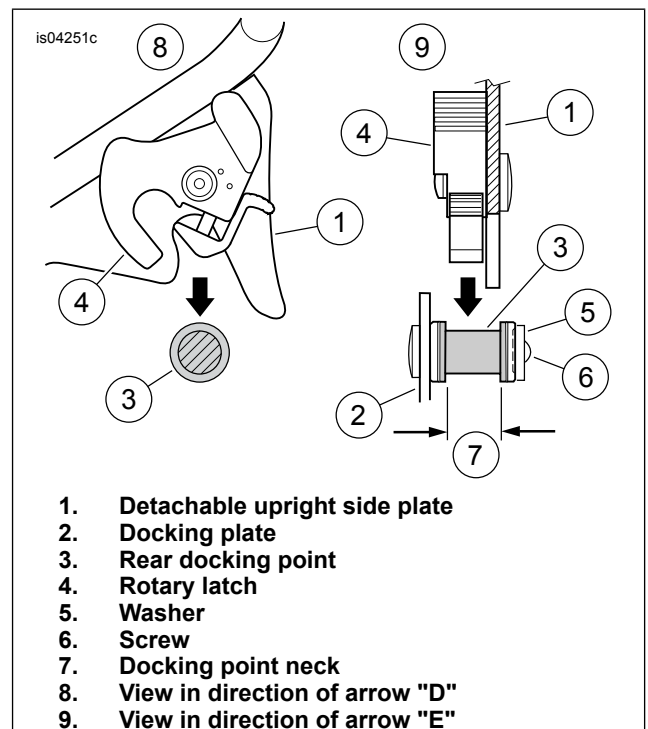


Figure 1. Proper Alignment of Latch in Rear Docking Point, Views in Direction of Arrows (D) and (E)

SERVICE PARTS

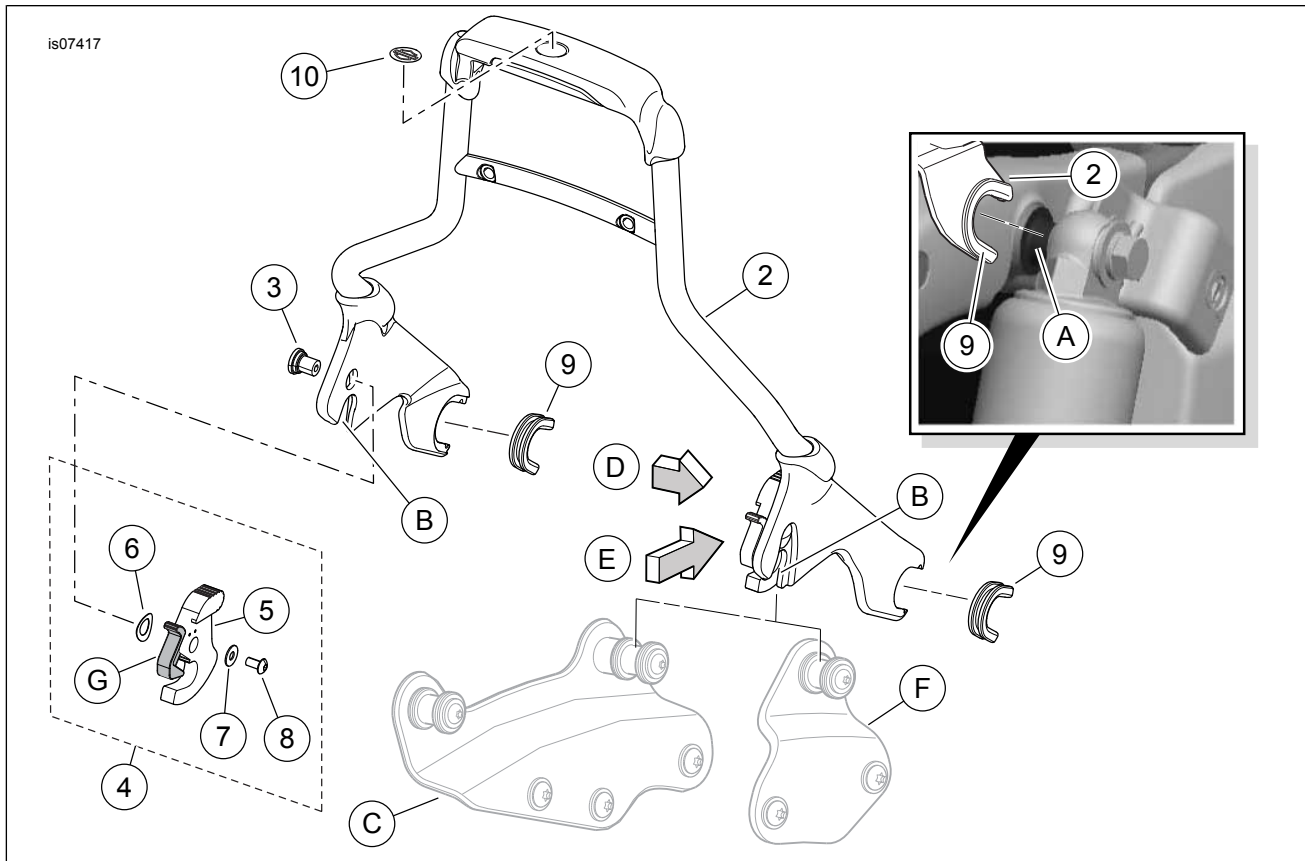


Figure 2. Service Parts, Air Wing Detachable Upright

Table 1. Service Parts

Item	Description (Quantity)	Part Number
1	Air Wing detachable upright assembly (includes items 2, 3, 4, 9, 10)	Not sold separately
2	• Detachable upright weldment	Not sold separately
3	• Pivot stud (2)	Not sold separately
4	• Rotary latch kit, right side (not shown. Includes items 5-8) Rotary latch kit, left side (shown. Includes items 5-8)	12600021 12600022
5	• ... Rotary latch assembly	Not sold separately
6	• ... Wave washer	6828
7	• ... Flat washer, stainless steel	6827
8	• ... Screw, button head	Not sold separately
9	• Bushing (2)	52682-09
10	• Medallion, Bar & Shield logo (silver background, for Kit 52300146) Medallion, Bar & Shield logo (black background, for Kit 52300147)	14448-94 14750-01
Items mentioned in text, but not included in kit:		
A	Front docking point (2)	
B	Detachable upright rear notch (2)	
C	Four-point docking plate assembly (2)	
D	To right side of vehicle (view direction for Figure 1)	
E	To front of vehicle (view direction for Figure 1)	
F	Two-point docking plate assembly (2)	
G	Rotary latch release button (2)	