



INSTRUCTIONS

-J04394

2016-02-22

TOURING SEATS

GENERAL

Kit Numbers

See Table 1

Models

For model fitment information, see the P&A retail catalog or the Parts and Accessories section of www.harley-davidson.com (English only).

Kit Contents

See Figure 5, Figure 6, Figure 7 and Table 2 for complete kit contents. See Table 1 for the

- grab strap part number and
- mounting method

associated with each seat kit.

▲ WARNING

The rider's safety depends upon the correct installation of this kit. If the procedure is not within your capabilities or you do not have the correct tools, have a Harley-Davidson dealer perform the installation. Improper installation of this kit could result in death or serious injury. (00308a)

Table 1. Kit Numbers and Grab Strap Usage

Kit Number	Grab Strap	Mounting Method
51615-09	51680-07	A
51630-09	51680-07	A
51729-09	51188-86	A
52000003	52400005	A
52000026	52400009	A
52000126	52400015	C
52000128	52400099	C
52000131	52400098	C
52000132	52400098	C
52000134	52400099	C
52000176	52400005	C
52000183	-	C
52000252	52400099	C
52000334	52400099	C
52067-08	69142-05	A
52093-08	51680-07	A
52095-08	53031-05	A
52099-09	51176-96C	A
52619-08	51680-07	A
53051-09	52000-09	B
54382-11	51680-07	A
54383-11	51680-07	A

REMOVAL

2013 and Earlier Models

NOTE

Cover painted parts to protect finish.

NOTE

Before removing the saddlebag mounting bracket attaching bolts, note the mounting orientation of the saddlebag mounting brackets.

1. Remove the left and right saddlebags per the instructions in the owner's manual. Save all hardware for installation.

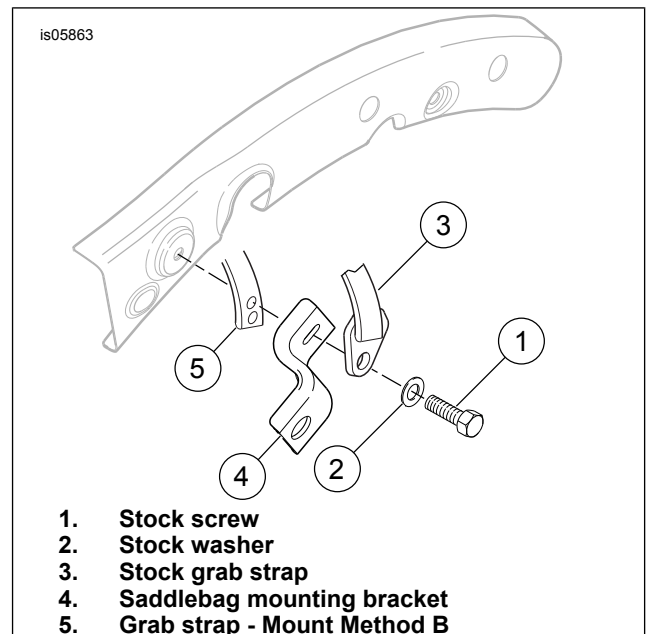


Figure 1. 2013 and Earlier: Remove Grab Strap and Install Kit 53051-09

2. See Figure 1. Remove the **left side** screw (1) and washer (2) to remove the bracket (4) and the passenger grab strap (3). Repeat for the right side saddlebag mounting bracket.
3. See Figure 5. Remove the screw with lockwasher (D) from the rear of the currently installed seat. Pull the seat rearward to remove the seat. Save the screw.
4. **For All Kits Except 53051-09:** Remove the two flanged nuts (E) from the studs (F) near the front of the rear fender.
5. **Fender strips:** Remove fender trim strips.
 - a. Cover the tip of a regular screwdriver with a piece of tape to protect chrome and painted surfaces.

- b. See Figure 2. Insert the tip of the screwdriver between the chrome bezel and the rubber trim strip.
- c. Pry up the bezel enough to get a hold of it. Pull the bezel up and away from the rubber trim strip.
- d. Starting at either end, peel the rubber trim strip away from the fender.
- e. Clean with a mixture of 50 percent isopropyl alcohol and 50 percent distilled water.

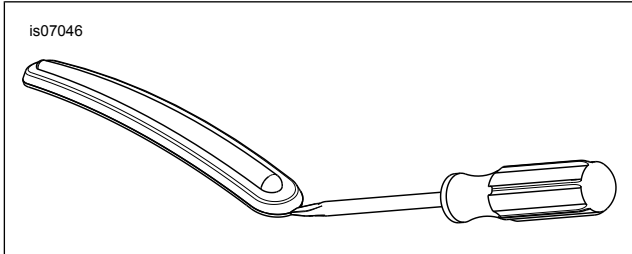


Figure 2. Remove Fender Trim Strip

2014 and Later Models

NOTE

Cover painted parts to protect finish.

1. See Figure 6. Remove the grab strap screws (G), washers (H) and grab strap from the vehicle. Save hardware for later installation.
2. **Tour-Pak® models:** Open Tour-Pak lid to access seat mounting.
3. Remove screw with lockwasher (D) and seat.

INSTALLATION

2013 and Earlier Models: All Kits Except 53051-09 (Mounting Method A)

1. See Figure 5. Install the grab strap (2) onto the studs as shown in Figure 3. Secure the grab strap to the studs (F) with nuts (E). Tighten to 6.8–10.8 N·m (5–8 ft-lbs).
2. See Figure 4. Slide the rear of the seat through the grab strap, from the front, until the slot (2) on the front underside of the seat is behind the seat mounting tongue (1) on the fuel tank rear bracket.
3. Press the seat down onto the frame backbone. Slide the seat forward until the fuel tank bracket tongue fully engages into the slot under the seat.

⚠ WARNING

After installing seat, pull upward on seat to be sure it is locked in position. While riding, a loose seat can shift causing loss of control, which could result in death or serious injury. (00070b)

4. Secure the seat onto the rear fender with the screw and lockwasher removed earlier. Tighten the screw to 5.4–8.1 N·m (4–6 ft-lbs)

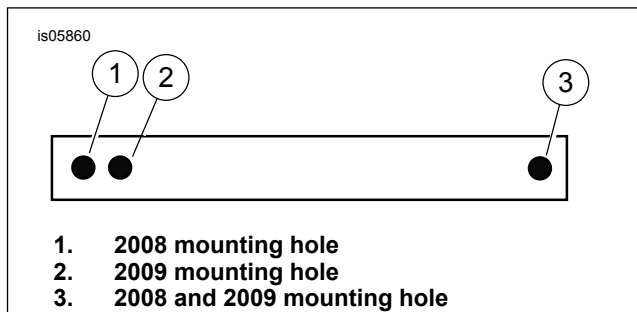


Figure 3. Grabstrap for Kit 53051-09

2013 and Earlier Models: Kit 53051-09 (Mounting Method B)

1. See Figure 4. Install seat until slot (2) on the front underside of the seat is behind the seat mounting tongue (1) on the fuel tank rear bracket.
2. Press the seat down onto the frame backbone. Slide the seat forward until the fuel tank bracket tongue fully engages into the slot under the seat.

⚠ WARNING

After installing seat, pull upward on seat to be sure it is locked in position. While riding, a loose seat can shift causing loss of control, which could result in death or serious injury. (00070b)

3. Secure the seat onto the rear fender with the screw and lockwasher removed earlier. Tighten the screw to 5.4–8.1 N·m (4–6 ft-lbs).
4. See Figure 1. Install the grab strap (5) behind the saddlebag mounting bracket (4). Use the grab strap mounting holes as shown in Figure 3.
5. Tighten stock screws to 20–27 N·m (15–20 ft-lbs).

2014 and Later Models (Mounting Method C)

1. See Figure 4. Install seat until slot (2) on the front underside of the seat is behind the seat mounting tongue (1) on the fuel tank rear bracket.
2. Press the seat down onto the frame backbone. Slide the seat forward until the fuel tank bracket tongue fully engages into the slot under the seat.

⚠ WARNING

After installing seat, pull upward on seat to be sure it is locked in position. While riding, a loose seat can shift causing loss of control, which could result in death or serious injury. (00070b)

3. Align seat mounting tab with the mounting hole. Do not pinch vehicle wiring.
4. See Figure 6. Install seat mounting screw (D). Tighten screw to 5.4–8.1 N·m (4–6 ft-lbs).
5. Install grab strap end into grab strap bracket (I) slot. Align the grab strap hole with the bracket hole.

6. Install grab strap screw (G) and washer (H). Tighten to 5.4–8.1 N·m (4–6 ft-lbs).

For All Models

NOTE

The molded rubber insert at the bottom of the saddlebags must fit snugly on the lower saddlebag support rails.

1. If removed, install the saddlebags to the motorcycle per the instructions in the owner's manual. Secure with the original bail head studs and flat washers.
2. Tighten the forward saddlebag mounting bolts to 7–11 N·m (60–96 in-lbs).
3. Adjust pads and wiring if necessary.

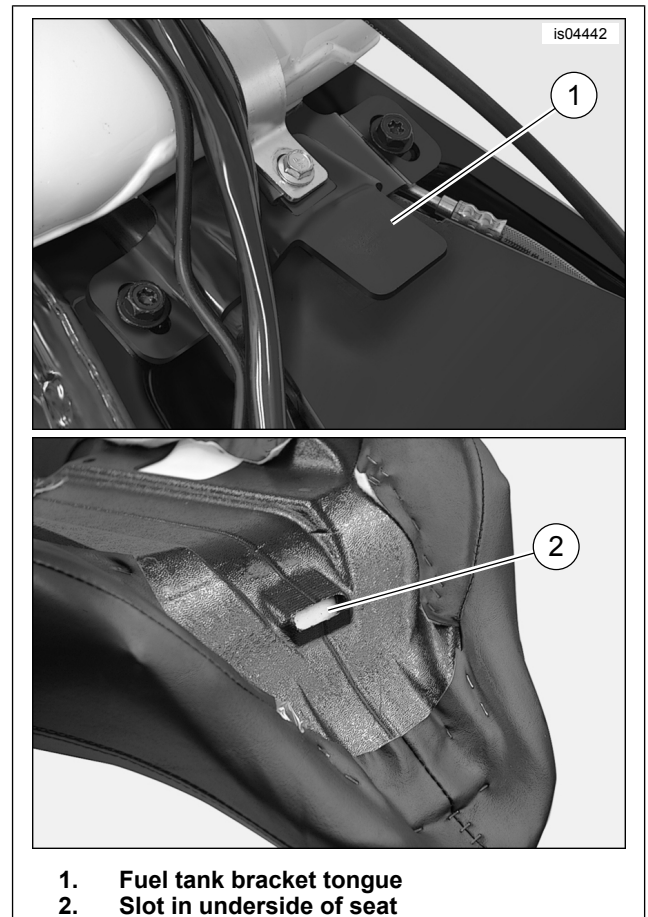


Figure 4. Seat Front Mounting

SERVICE PARTS

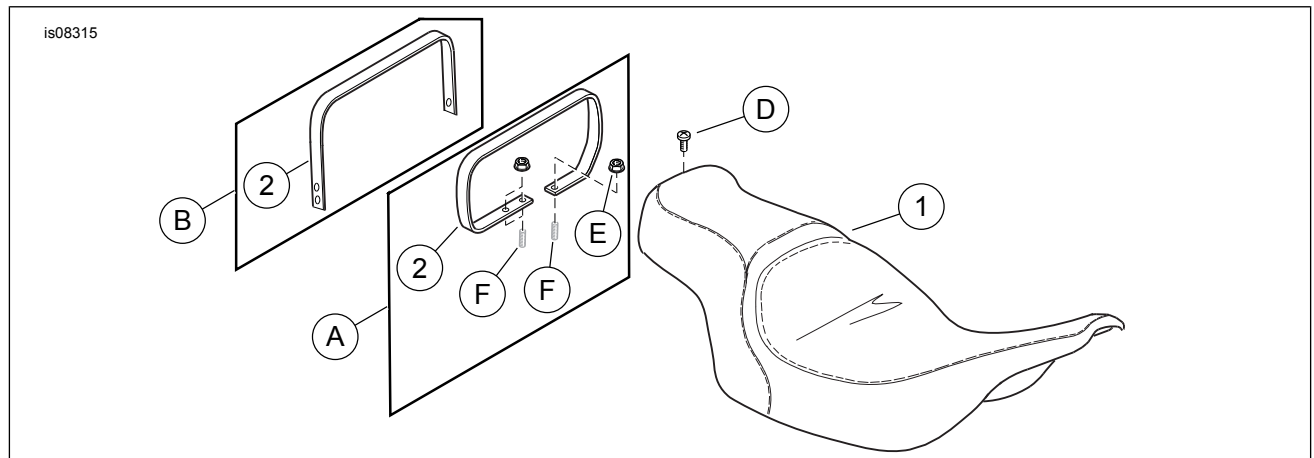


Figure 5. Service Parts: Touring Seats

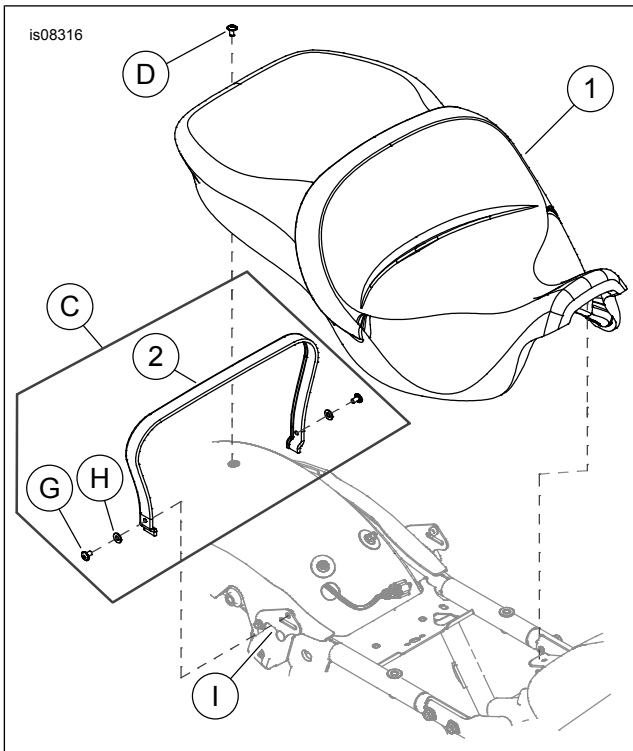


Figure 6. Service Parts: Touring Seats

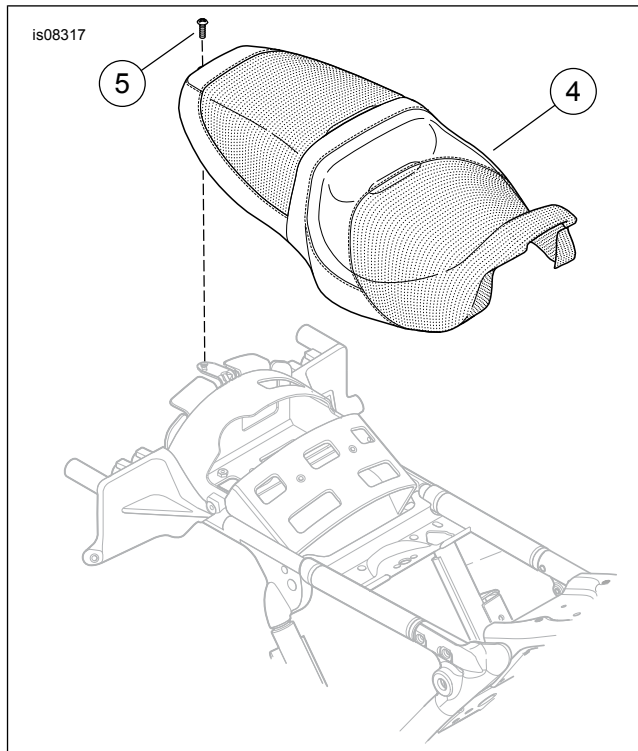


Figure 7. Service Parts: FLRT Seat

SERVICE PARTS

Table 2. Service Parts Table

Item	Description (Quantity)	Part Number
1	Seat (plain pattern shown)	Not sold separately
2	Grab strap	See Table 1
3	Leather dressing (not shown)	Not sold separately
4	Seat (FLRT)	52000157
5	Screw	2952A
Items mentioned in text, but not included in kit:		
A	Mounting Method A	See Table 1
B	Mounting Method B	See Table 1
C	Mounting Method C	See Table 1
D	Original equipment (OE) Phillips-head screw	2952A
E	OE flanged nut (2)	7499
F	OE stud (2)	
G	Original equipment (OE) Phillips-head screw (2)	2952A
H	OE Flat washer (2)	6703
I	OE strap mount bracket	