



# INSTRUCTIONS

-J05892

2013-08-09

## STREET SEAT KIT

### GENERAL

#### Kit Number

52000123, 52000124, 52000168

#### Models

For model fitment information, see the P&A Retail Catalog or the Parts and Accessories section of [www.harley-davidson.com](http://www.harley-davidson.com) (English only).

#### Kit Contents

See Figure 3 and Table 1.

#### ⚠ WARNING

The rider's safety depends upon the correct installation of this kit. If the procedure is not within your capabilities or you do not have the correct tools, have a Harley-Davidson dealer perform the installation. Improper installation of this kit could result in death or serious injury. (00308a)

#### ⚠ WARNING

Do not install these seat kits on motorcycles that are not equipped with an appropriate grab strap and passenger footpegs. If footpegs and grab strap are not installed, passenger could fall from moving motorcycle or grab onto operator, causing loss of control and death or serious injury. (00410b)

### INSTALLATION

1. See Figure 1. Remove seat.
  - a. Remove seat retention screw (3).
  - b. Slide seat (1) rearward to release from seat retention tab (2).
  - c. Slide seat forward above fuel tank.
  - d. Pull seat forward through seat strap (4).

#### NOTE

*Solo seat kits do not include a grab strap. After installing a solo seat kit, remove passenger foot pegs.*

2. See Figure 2. Remove screws and washers (2) and grab strap (1).
3. **New Two-Up Seat:** Install new grab strap.
  - a. **Kit 52000123:** Select hole (4). Align with mounting holes. Secure with screws and washers (2).

- b. **Kit 52000124:** Select hole (3). Align with mounting holes. Secure with screws and washers (2).
  - c. Tighten screw to 9–11 N·m (80–97 in-lbs).
4. Install seat.
    - a. Insert rear of seat (1) through seat strap (4).
    - b. Slide seat forward and on to seat retention tab (3).
    - c. Install seat retention screw (3). Tighten to 2.3–4.5 N·m (20–40 in-lbs).

#### ⚠ WARNING

After installing seat, pull upward on seat to be sure it is locked in position. While riding, a loose seat can shift causing loss of control, which could result in death or serious injury. (00070b)

5. Check that seat is installed securely.

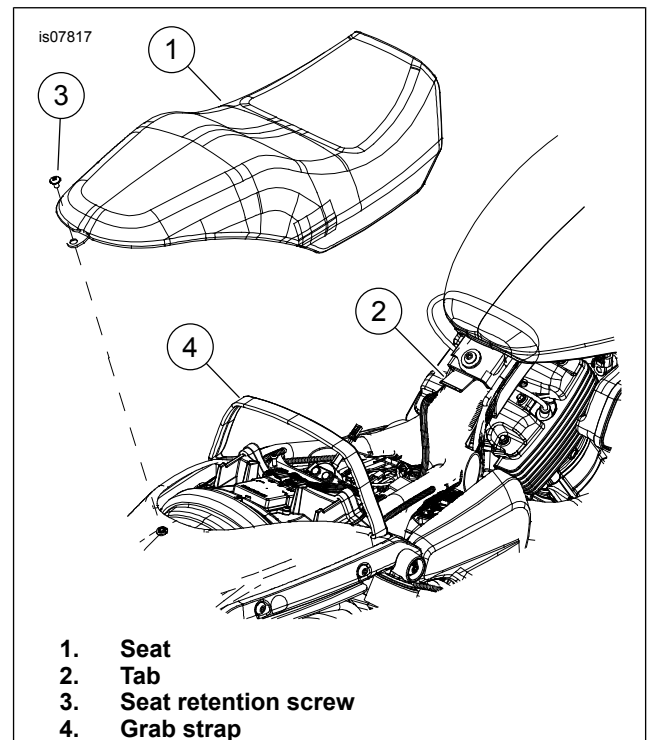


Figure 1. Seat

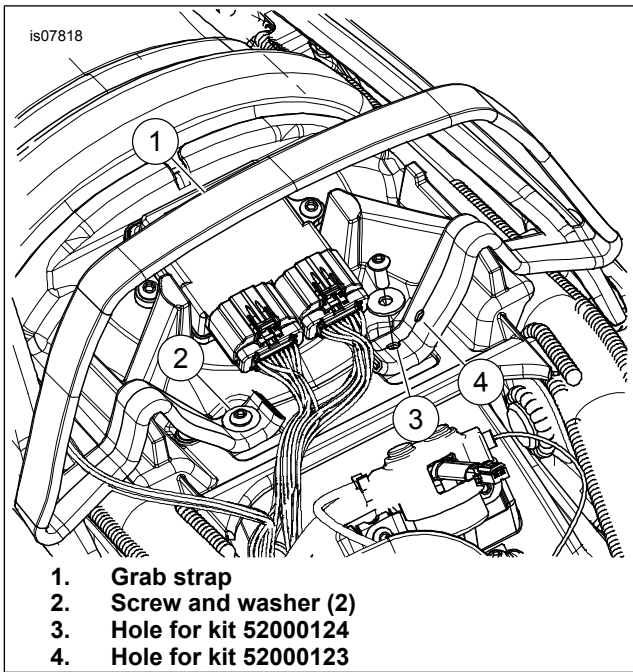


Figure 2. Grab Strap

## SERVICE PARTS

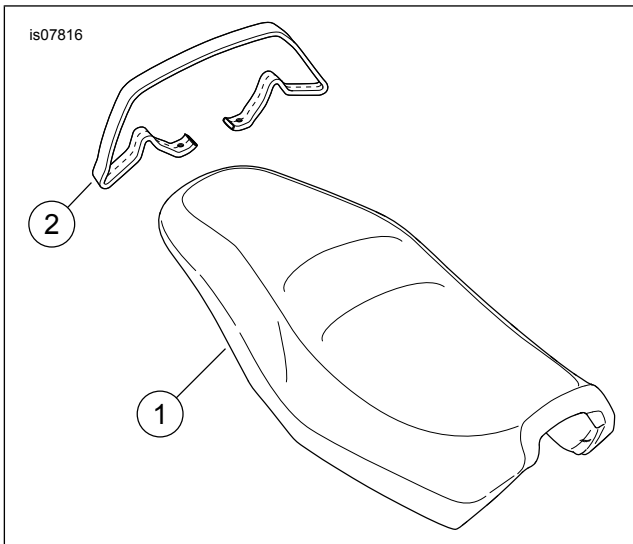


Figure 3. Service Parts: Street Seat Kit

Table 1. Service Parts

Item	Description (Quantity)	Part Number
1	Seat	Not Sold Separately
2	Grab strap (included in kits 52000123 and 52000124)	52400105