



INSTRUCTIONS

-J04152

REV. 2011-04-25

VRSC ACCESSORY SEAT AND PILLION KITS

GENERAL

Kit Number

51778-07, 51781-07, 51780-07, 52000048, 52000049

Models

For model fitment information, see the P&A Retail Catalog or the Parts and Accessories section of www.harley-davidson.com (English only).

Additional Parts Required

Kits 52000048 and 52000049 are rider seats only and can only be installed with the stock passenger pillion.

Kits 51778-07 and 51781-07 are Rider Seats only and can be used with stock pillion or Touring Pillion 51780-07.

Kit 51780-07 is a Touring Pillion only and is intended to be used with stock seat or Accessory Seats 51778-07 and 51781-07. Fender Base Plate Kit is also required.

WARNING

The rider's safety depends upon the correct installation of this kit. Use the appropriate service manual procedures. If the procedure is not within your capabilities or you do not have the correct tools, have a Harley-Davidson dealer perform the installation. Improper installation of this kit could result in death or serious injury. (00333a)

Kit Contents

See Figure 4 and Table 1.

Table 1. Accessory Combination and Removal Tasks

Accessory Combination	Remove
Stock Seat With Touring Pillion	Stock Pillion and Grabstrap
Accessory Seat With Stock Pillion	Stock Seat
Accessory Seat With Touring Pillion	Stock Seat Stock Pillion and Grabstrap

REMOVAL OF PILLION

Remove Stock Pillion and Grabstrap

1. Open the rider seat.
2. See Figure 1. Remove rider seat post (1), nut (2), and washer (3) from passenger pillion. Slide grabstrap (4) forward off pillion. Save mounting hardware for kit installation.

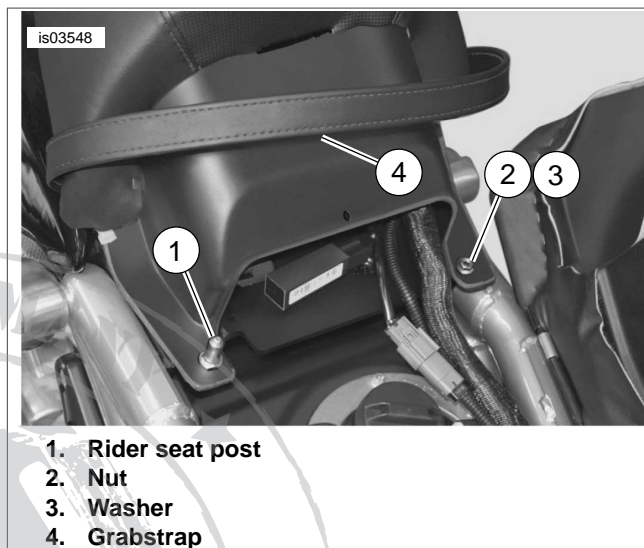


Figure 1. Passenger Pillion and Mounting

3. Push passenger pillion forward to release slot on bottom of pillion from post (Figure 6, Item A) on fender tongue.
4. See Figure 2. Lift passenger pillion up and remove seat lanyard (1) from hole in pillion (2).
5. Remove passenger pillion (3) from vehicle.

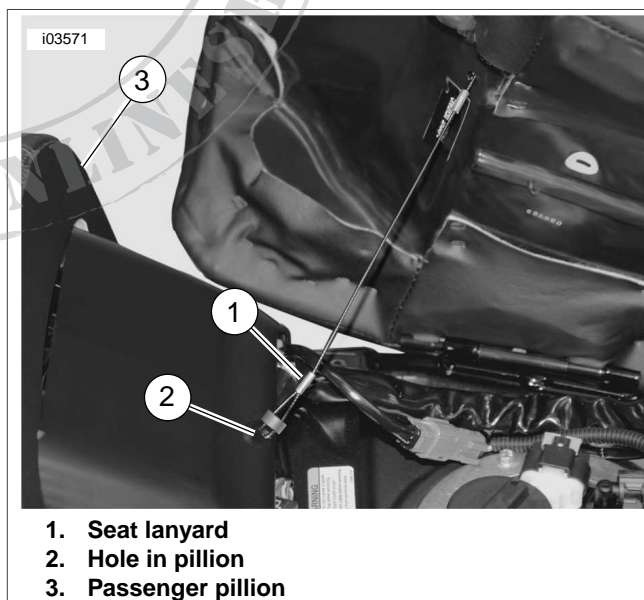
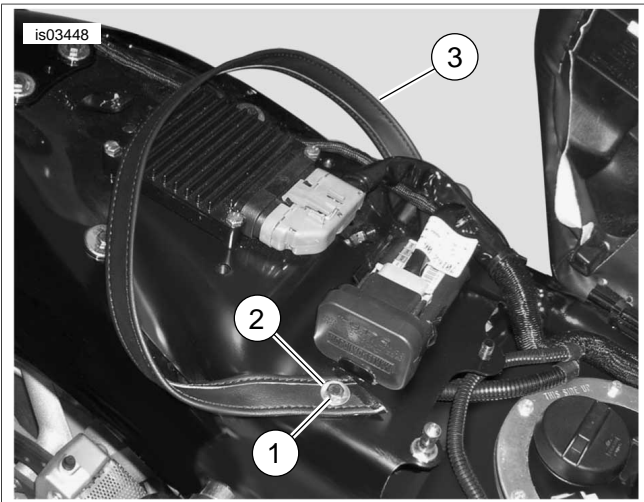


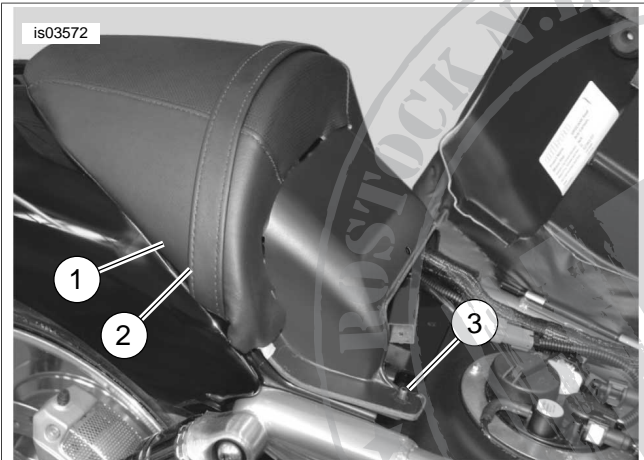
Figure 2. Seat Lanyard and Passenger Pillion

6. See Figure 3. Remove two bolts (1), washers (2), and grabstrap (3) from inner fender. Save bolts and washers for kit installation.



1. Bolt (2)
2. Washer (2)
3. Grabstrap

Figure 3. Grabstrap



1. Touring passenger pillion
2. Grabstrap
3. Stud (2)

Figure 4. Install Touring Passenger Pillion

INSTALLATION OF PILLION

If not installing a pillion, skip to "Removal of Rider Seat".

Install Touring Passenger Pillion

NOTE

The grabstrap must loop toward the rear. Make sure the grabstrap seam is facing the inboard side.

1. See Figure 3. Install stock bolt (1) washer (2), and one end of grabstrap (3). While holding the grabstrap end parallel to the formed line of the fender, tighten the bolt to 8-12 Nm (70.8-106.2 **in-lbs**). Repeat for opposite end of grabstrap.
2. Insert touring passenger pillion (Figure 6, Item 4) into position through grabstrap. Prevent pinching TSSM (Turn

Signal/Security Module) control wiring by routing cable through channel on underside of pillion. Pinched wiring may damage the TSSM system.

3. See Figure 4. Slide touring passenger pillion (1) backwards into post on fender tongue. Align pillion mounting holes with studs (3) in frame.
4. See Figure 6. Secure touring passenger pillion with rider seat post (B), washer (C), and nut (D). Tighten post to 11-17 Nm (8.1-12.5 ft-lbs) and tighten nut to 6-10 Nm (53.1-88.5 **in-lbs**).

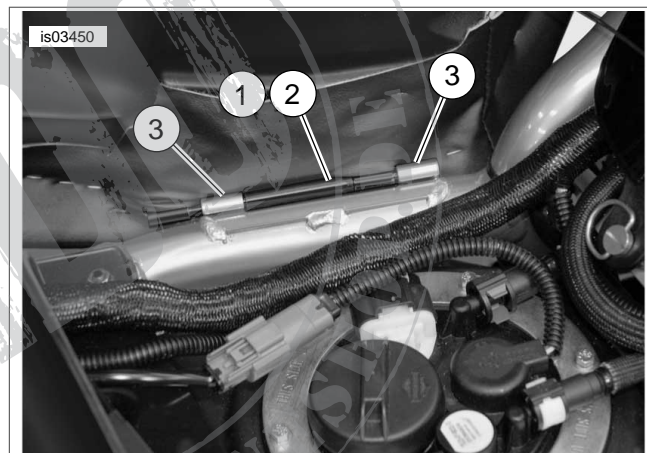
WARNING

After installing pillion, pull upward to be sure it is locked in position. While riding, a loose pillion can shift causing loss of control, which could result in death or serious injury. (00387a)

REMOVAL OF RIDER SEAT

Remove Stock Seat

1. Open the rider seat.
2. See Figure 5. Carefully pry sleeve (1) from seat hinge pins (2). Slide seat rearward to release hinge pins from bushings (3) on frame.



1. Sleeve
2. Seat hinge pin
3. Bushing (2)

Figure 5. Sleeve and Seat Hinge Pin

INSTALLATION OF RIDER SEAT

Install Accessory Seat

1. See Figure 6. Install accessory seat (1). Make sure both seat pins engage their bushings (Figure 5, Item 3) on the frame.
2. See Figure 5. Press sleeve (1) over seat hinge pins (2).
3. See Figure 2. Insert seat lanyard (1) in hole of touring passenger pillion (2).
4. Close the rider seat.

SERVICE PARTS

is03445

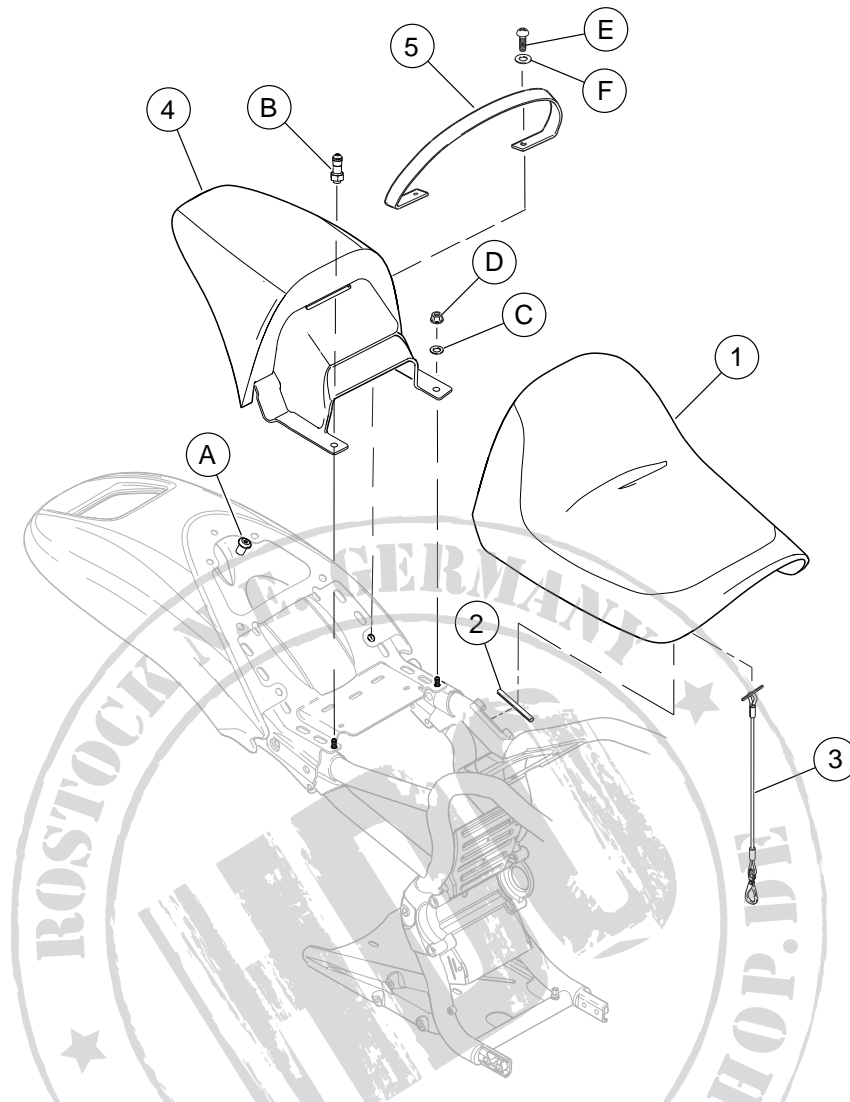


Figure 6. Service Parts: VRSC Accessory Seats and Pillion Kits

Table 2. Service Parts: VRSC Accessory Seats and Pillion Kits

Kit	Item	Description (Quantity)	Part Number
Accessory Seat Kits 51778-07, 51781-07 52000048, 52000049	1	Seat, accessory	Not Sold Separately
	2	Sleeve, seat hinge	52041-82
	3	Lanyard, rider seat	52402-01
Pillion Kit 51780-07	4	Pillion, touring passenger	Not Sold Separately
	5	Grabstrap	52293-04
Original equipment items, not included in kit:			
	A	Post, passenger pillion	
	B	Post, rider seat	
	C	Washer, flat	
	D	Nut, hex	
	E	Screw (2)	
	F	Washer (2)	