



INSTRUCTIONS

-J04893

REV. 2009-06-30

XL PASSENGER PAD

GENERAL

Kit Number

51734-10

Models

For model fitment information, see the P&A Retail Catalog or the Parts and Accessories section of www.harley-davidson.com (English only).

Kit Contents

See Figure 2 and Table 1.

Additional Parts Required

⚠ WARNING

Do not install these seat kits on motorcycles that are not equipped with an appropriate grab strap and passenger footpegs. If footpegs and grab strap are not installed, passenger could fall from moving motorcycle or grab onto operator, causing loss of control and death or serious injury. (000410b)

Passenger footpeg kit (part number 50203-04) is required for models without stock footpegs.

INSTALLATION

1. Install retention nut and washer:
 - a. See Figure 2. A cable strap may be used as an installation aid to install the retention nut and washer. Place the retention nut (11) over the cable strap (8) so the wide end of the nut rests on the eye of the cable strap. Thread the cable strap up under the fender and through the appropriate fender hole. Pull up on the cable strap to hold the nut snug against the underside of the fender.
 - b. With the rib on the retention nut seated into the notch in the appropriate fender hole, slide the retention washer (12) into place from the rear. This will lock the retention nut in place. Remove the cable strap.
2. Install the shoulder bolt (5) into the middle mounting hole (Figure 1, item 3) through the washer (9) and grab strap (4). Tighten the bolt securely.
3. Slide the rear of the pillion through the grab strap.

4. Slide the pillion toward the rear so that the keyhole slot on the bottom of the pillion engages with the head of the shoulder bolt.

When properly installed, the keyhole on the underside of the pillion will secure the pillion to the shoulder bolt.

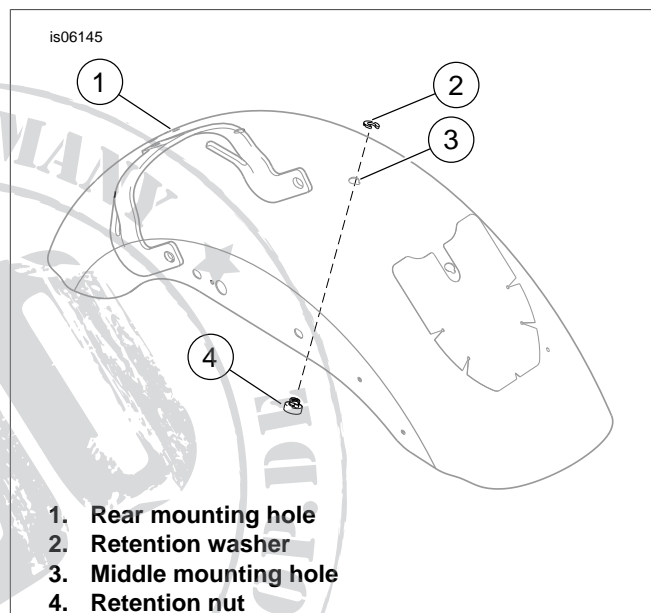


Figure 1. Fender Mounting Holes

5. Pull up on the center of the pillion to verify that it is locked into place.
If the pillion is not firmly in place, repeat Step 4 until the pillion is securely installed.
6. See Figure 2. Install the screw (6) through the mounting bracket (2) and into the rear fender.
7. Tighten the screw securely.

⚠ WARNING

After installing pillion, pull upward to be sure it is locked in position. While riding, a loose pillion can shift causing loss of control, which could result in death or serious injury. (00387a)

8. Pull up on the front and rear of the pillion again to verify that it is properly secured.

SERVICE PARTS

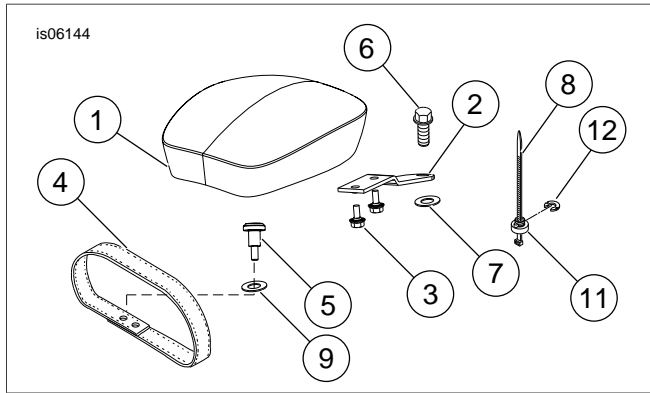


Figure 2. Service Parts: XL Passenger Pad

Table 1. Service Parts

Item	Description (Quantity)	Part Number
1	Pillion	Not Sold Separately
2	Bracket, pillion mounting	51553-10
3	Screw, bracket (2)	3588
4	Grab strap	51808-05
5	Shoulder bolt	7321
6	Screw, pillion mounting	2952A
7	Washer, nylon	7487
8	Cable strap	10039
9	Washer	11895
10	Hardware kit (includes Items 11 and 12) (not shown)	59768-97
11	Nut, seat retention	Not Sold Separately
12	Washer, seat retention	Not Sold Separately

