



INSTRUCTIONS

-J04706

REV. 2008-11-17

VRSCF UPRIGHT KIT

GENERAL

Kit Number

51600-09

Models

For model fitment information, see the P&A Retail Catalog or the Parts and Accessories section of www.harley-davidson.com (English only).

Additional Parts Required

An upright mounting kit (51607-09) or luggage rack (53315-09) is required for installation of this kit. These kits are available for separate purchase from a Harley-Davidson dealer.

WARNING

The rider's safety depends upon the correct installation of this kit. Use the appropriate service manual procedures. If the procedure is not within your capabilities or you do not have the correct tools, have a Harley-Davidson dealer perform the installation. Improper installation of this kit could result in death or serious injury. (00333a)

NOTE

This instruction sheet references service manual information. A service manual for your model motorcycle is required for this installation and is available from a Harley-Davidson Dealer.

Kit Contents

See Figure 5 and Table 1.

WARNING

Do not exceed luggage rack weight capacity. Too much weight can cause loss of control, which could result in death or serious injury. (00373a)

NOTE

Maximum luggage rack weight capacity is 10 lbs (4.5 Kg).

REMOVAL

If Luggage Rack Has Been Installed

1. See Figure 5. Remove the carriage bolts (B) and flange nuts (C). Save for installation.
2. Remove screws (D, F and J) and washers (G). Save for installation.
3. Remove spacers (M). Discard spacers.
4. Remove mounting bracket (H) and luggage rack (K). Save for installation.

For All Models

1. See Figure 1. Remove four rear fender mounting bolts (1) and washers (2). If necessary, move the ECM to access the four fender mounting bolts.
2. Disconnect the tail lamp following the instructions in the service manual.

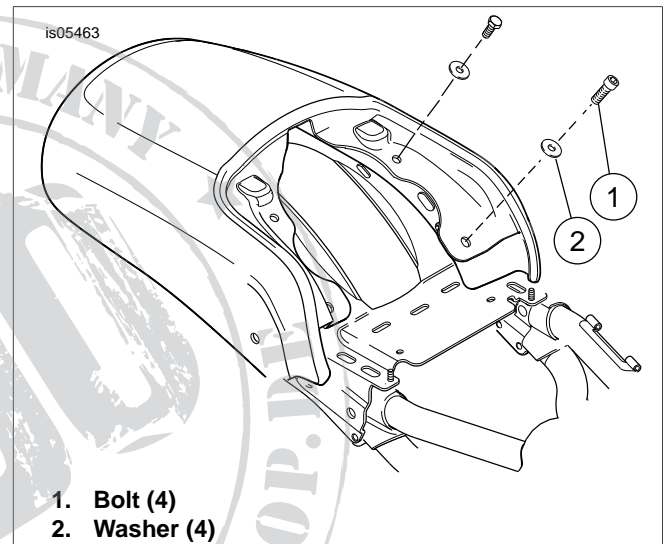


Figure 1. Fender Mounting Bolts

INSTALLATION

Install Upright Only

1. See Figure 2. Apply masking tape to the outside painted surface of the fender at hole locations (2 and 3). This will protect the painted surface during the drilling operation.
2. Put the fender on a work bench, painted surface down. Use clean, soft cloth between the fender and the work bench to protect the paint finish.

NOTES

Drilling each hole in the fender is a two-step procedure that requires a specific type of drill bit to avoid damaging the fender.

3. Use a 1/2-inch spade bit or 1/2-inch unibit (do **not** use a spiral-type drill bit) to drill hole(s) from the inside of the fender through the pilot hole boss(es). Stop drilling when the bit pierces the outside surface of the fender.
4. Turn the fender over so the painted surface is now facing up. Complete each hole by using the same 1/2-inch drill bit at each of the pierced hole(s). Clean excess material from the hole(s) and clean the fender surface of any debris.
5. Remove the masking tape from the hole(s).

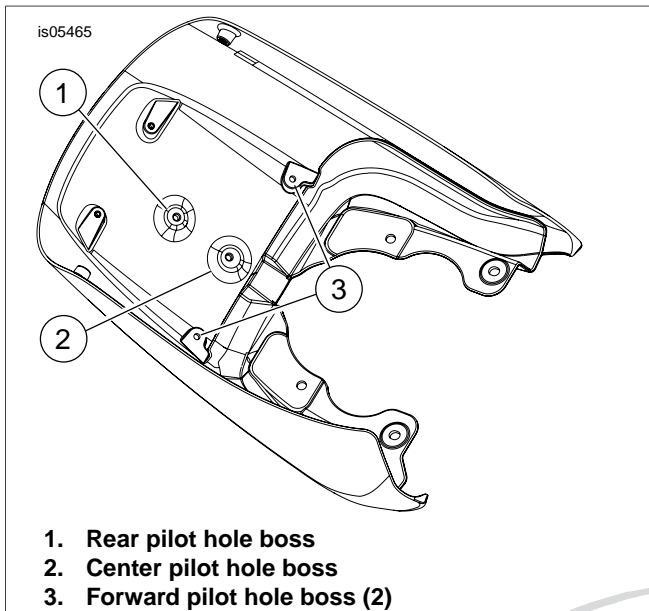


Figure 2. Inside of Fender

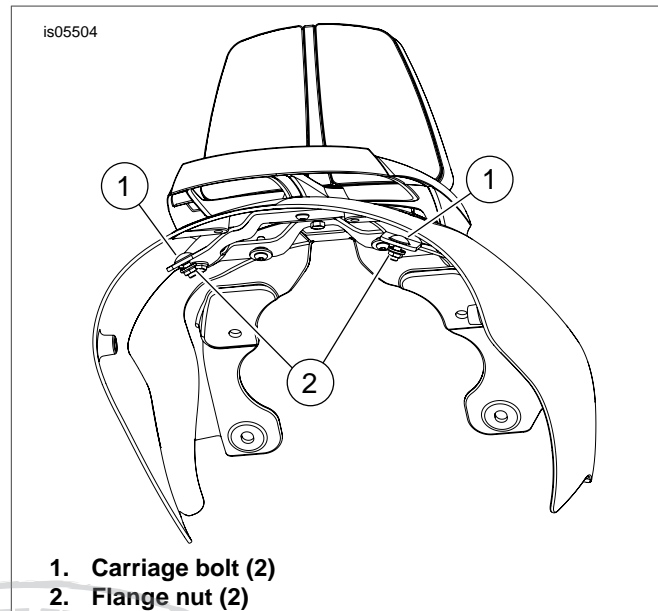


Figure 4. Install Carriage Bolts

6. See Figure 5. Install the upright (1) onto the rubber gasket (I).
7. See Figure 3. Put the upright upside down on the work bench and align the holes with the holes in the fender.
8. Align the mounting holes of the support bracket (H) with the mounting holes of the upright.
9. See Figure 5. Install bolt (2) and tighten finger-tight.
10. Install the two screws (E) and nuts (A) in the outer mount locations and tighten finger-tight.
11. Verify proper alignment of all components and then tighten the two screws to 7-9 Nm (62-80 in-lb).
12. Tighten bolt (2) to 10-12 Nm (88-106 in-lb).
13. Proceed to **Final Installation - All Assemblies.**

Install Luggage Rack and Upright

NOTE

See Figure 2. If luggage rack has been previously installed, only hole (2) needs to be drilled.

1. See Figure 2. Apply masking tape to the outside painted surface of the fender at hole locations (1, 2 and 3). This will protect the painted surface during the drilling operation.
2. Put the fender on a work bench, painted surface down. Use clean, soft cloth between the fender and the work bench to protect the paint finish.

NOTES

Drilling each hole in the fender is a two-step procedure that requires a specific type of drill bit to avoid damaging the fender.

3. Use a 1/2-inch spade bit or 1/2-inch unibit (do **not** use a spiral-type drill bit) to drill hole(s) from the inside of the fender through the pilot hole boss(es). Stop drilling when the bit pierces the outside surface of the fender.
4. Turn the fender over so the painted surface is now facing up. Complete each hole by using the same 1/2-inch drill bit at each of the pierced hole(s). Clean excess material from the hole(s) and clean the fender surface of any debris.
5. Remove the masking tape from the hole(s).
6. If luggage rack has not been previously installed: See Figure 5. Apply the protective tape (L) to the painted surface using the drilled holes for alignment.
7. See Figure 5. Slide the upright (1) onto the luggage rack (K).
8. See Figure 3. Put the luggage rack/upright assembly upside down on the work bench and align the holes in the luggage rack with the holes in the fender.
9. Align the mounting holes of the support bracket (H) with the mounting holes of the upright and luggage rack.
10. See Figure 5. Install screw (D) and tighten finger-tight.
11. Install bolt (2). Tighten finger-tight.



Figure 3. Align Luggage Rack and Fender

12. Install the two screws (J) in the forward mount locations and tighten finger-tight.
 13. Verify proper alignment of all components and then tighten the three screws (D and J) to 7-9 Nm (62-80 **in-lb**)
 14. Tighten bolt (2) to 10-12 Nm (88-106 **in-lb**).
 15. Proceed to **Final Installation - All Assemblies.**
- Final Installation - All Assemblies**
1. Install the tail lamp following the instructions in the appropriate service manual.
 2. Align the holes in the fender with the holes in the frame.
 3. See Figure 4. Install the carriage bolts (1) through the slots on the support bracket and the frame. Install the flange nuts (2) and tighten finger-tight.
 4. See Figure 5. Install two screws (F) and flat washers (G) through the holes in the seat pan and into the weld nuts on the support bracket (H). Tighten finger-tight.
 5. Verify alignment and position of the fender.
 6. See Figure 1. Install four fender mounting bolts (1) and washers (2). Tighten to 20-26 Nm (15-19 ft-lb).
 7. See Figure 5. Tighten the nuts (C) and screws (F) to 7-9 Nm (62-80 **in-lb**).



SERVICE PARTS

Table 1. Service Parts Table

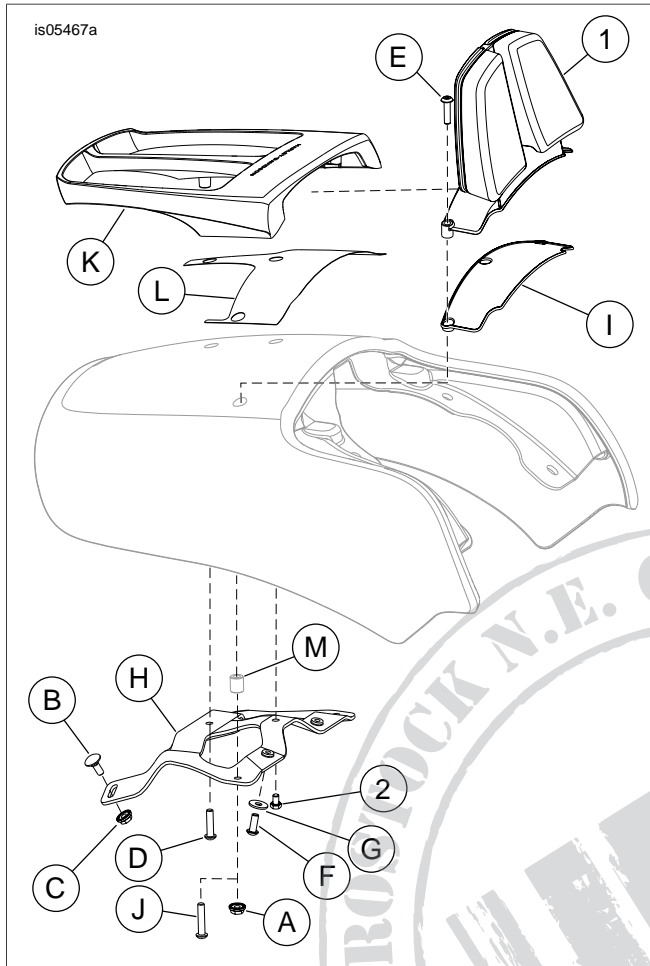


Figure 5. Service Parts: VRSCF Upright

Item	Description (Quantity)	Part Number
1	Upright assembly	Not Sold Separately
	• Pad, front right	51605-09
	• Pad, front left	51611-09
	• Pad, rear right	51612-09
	• Pad, rear left	51646-09
	• Screw (4)	Not Sold Separately
2	Bolt	4884M
Items mentioned in text, but not included in kit:		
Upright mounting kit (51607-09 - purchased separately)		
A	• Flange nut (2)	
B	• Carriage bolt (2)	
C	• Flange nut (2)	
E	• Screw (2)	
F	• Screw (2)	
G	• Washer, flat (2)	
H	• Bracket, support	
I	• Gasket, upright	
Luggage rack kit (53315-09 - purchased separately)		
B	• Carriage bolt (2)	
C	• Flange nut (2)	
D	• Screw	
F	• Screw (2)	
G	• Washer, flat (2)	
H	• Bracket, support	
J	• Screw (2)	
K	• Luggage rack	
L	• Protective tape	
M	• Spacer (2)	
Hardware service kit (54230-09 - purchased separately)		
A	• Flange nut (2)	
B	• Carriage bolt (2)	
C	• Flange nut (2)	
D	• Screw	
E	• Screw (2)	
F	• Screw (2)	
G	• Washer, flat (2)	
J	• Screw (2)	
M	• Spacer (2)	